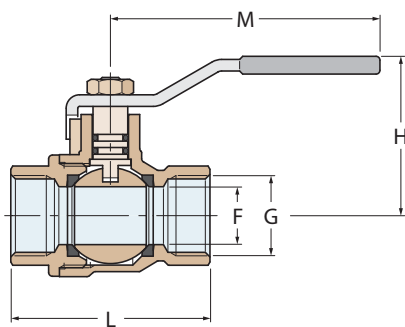


valvole a sfera ball valves

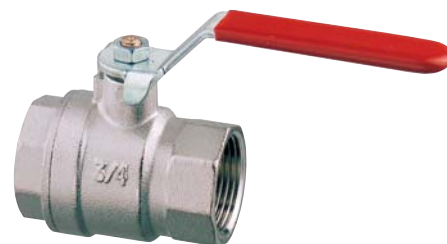
1560

Valvola a sfera F-F passaggio totale a leva
Lever operated ball valve F-F full flow



FILETTATURE / THREAD :
G = ISO 228/1 (BS 2779)

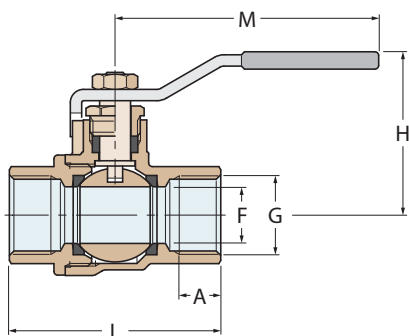
1560	■	■	■	■	■	■	■	■	■	■	■
PN	50	50	50	50	40	40	32	32	16	16	16
Weight (gr)	135	120	180	260	460	740	990	1550	2880	4000	7000
M	80	80	90	90	115	115	150	150	240	240	250
H	41	41	43	46	60	64	74	82	120	127	135
L	45	45	50	59	70	81	91	108	130	150	178
F	10	10	15	20	25	32	40	50	61	74	95
G	1/4"	3/8"	1/2"	3/4"	1"	1 1/4"	1 1/2"	2"	2 1/2"	3"	4"



Ottone nichelato
Nickel-plated brass

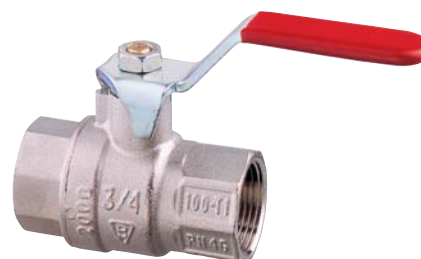
1570

Valvola a sfera F-F passaggio totale a leva
Lever operated ball valve F-F full flow



FILETTATURE / THREAD :
G = ISO 228/1 (BS 2779)

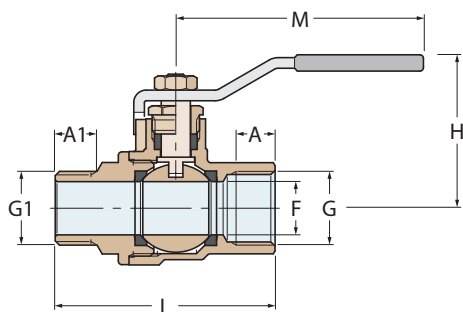
1570	■	■	■	■	■	■	■	■	■	■	■
PN	50	50	50	50	40	40	32	32	25	25	25
Weight (gr)	135	120	255	340	610	910	1280	1940	4050	5430	8750
M	80	80	90	90	125	125	140	140	250	250	250
H	41	41	54	58	66	71	80	88	131	140	156
L	45	45	63	71	83	92	104	124	140	159	195
F	10	10	15	20	25	32	40	50	61	74	95
A	10	10	15	16	19	21	21	26	27	28	35
G	1/4"	3/8"	1/2"	3/4"	1"	1 1/4"	1 1/2"	2"	2 1/2"	3"	4"



Ottone nichelato
Nickel-plated brass

1571

Valvola a sfera M-F passaggio totale a leva
Lever operated ball valve M-F full flow



FILETTATURE / THREAD :
G - G1 = ISO 228/1 (BS 2779)

1571	■	■	■	■	■	■	■	■
PN	40	40	40	40	40	32	32	32
Weight (gr)	115	130	265	365	645	995	1370	2060
M	80	80	90	90	125	125	140	140
H	41	41	54	58	66	71	80	88
L	42	54	70	80	92	102	117	137
F	10	10	15	20	25	32	40	50
A - A1	10	10	15	16	19	21	21	26
G - G1	1/4"	3/8"	1/2"	3/4"	1"	1 1/4"	1 1/2"	2"



Ottone nichelato
Nickel-plated brass