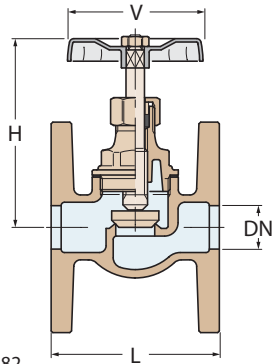


valvole a globo e saracinesche gate and globe valves

1630



Valvola "globo" sede metallica con flange cieche o forate PN6/16
 "Globe" valve metal tightness with undrilled or PN6/16 drilled flanges

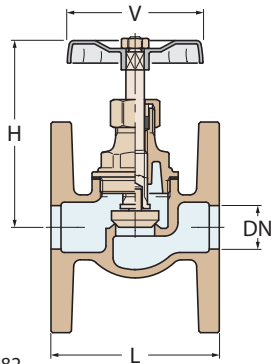


Bronzo
Bronze

Tabella flange a pag. 182
Flange table on page 182

1630	■	■	■	■	■	■	■	■	■
PN	16	16	16	16	16	16	16	16	16
Weight (gr)	1350	2000	2500	3800	4600	6400	10500	13000	18500
V	60	60	70	70	80	90	125	150	150
H	80	92	108	120	132	155	220	235	260
L	70	80	99	108	130	147	190	207	220
DN	15	20	25	32	40	50	65	80	100

1630A



Valvola "globo" sede metallica - chiusura semiautomatica con flange cieche o forate PN6/16
 "Globe" valve metal tightness - semi automatic closing with undrilled or PN6/16 drilled flanges

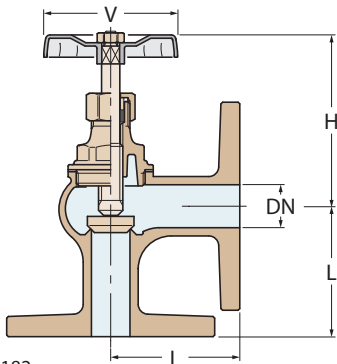


Bronzo
Bronze

Tabella flange a pag. 182
Flange table on page 182

1630A	■	■	■	■	■	■	■	■	■
PN	16	16	16	16	16	16	16	16	16
Weight (gr)	1350	2000	2500	3800	4600	6400	10500	13000	18500
V	60	60	70	70	80	90	125	150	150
H	80	92	108	120	132	155	220	235	260
L	70	80	99	108	130	147	190	207	220
DN	15	20	25	32	40	50	65	80	100

1650



Valvola "globo" a squadra sede metallica con flange cieche o forate PN6/16
 "Globe" angle valve metal tightness with undrilled or PN6/16 drilled flanges



Bronzo
Bronze

Tabella flange a pag. 182
Flange table on page 182

1650	■	■	■	■	■	■	■	■	■
PN	16	16	16	16	16	16	16	16	16
Weight (gr)	1800	2150	3100	4500	5200	7500	10700	12800	16000
V	60	60	70	70	80	90	125	150	150
H	74	83	104	110	143	160	187	225	220
L	60	65	72	85	90	105	110	115	140
DN	15	20	25	32	40	50	65	80	100