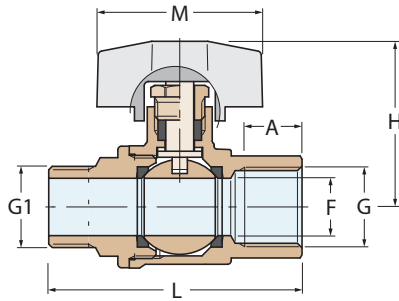


valvole a sfera ball valves

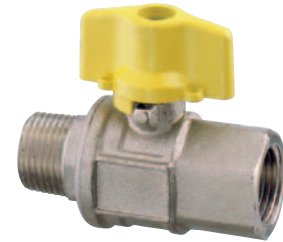
1875



Valvola a sfera M-F passaggio totale a farfalla serie "2000"

Throttle operated ball valve M-F - full flow "2000" series

Conforme alla norma
Compliant with
UNI EN ISO 9093-1

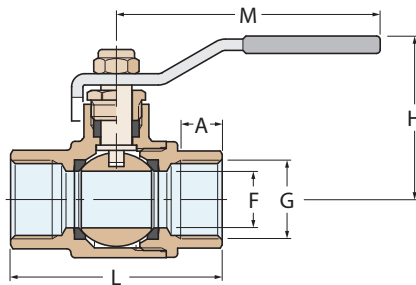


Ottone nichelato
Nickel-plated brass

FILETTATURE / THREAD:
G - G1 = EN 10226/1 (BS 21)

1875	■	■	■	■	■
PN	40	40	40	40	40
Weight (gr)	170	190	290	485	780
M	45	45	45	65	65
H	42	42	46	55	60
L	50	58	71	81	94
F	10	10	15	20	25
A	10	11.4	15	16.3	19.1
G - G1	1/4"	3/8"	1/2"	3/4"	1"

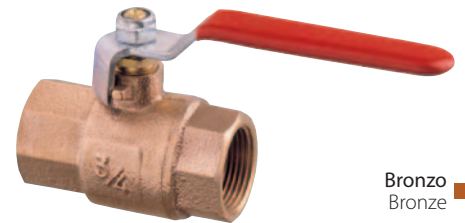
2080



Valvola a sfera F-F passaggio totale a leva corpo in bronzo

Lever operated ball valve F-F - full flow bronze body

Conforme alla norma
Compliant with
UNI EN ISO 9093-1



Bronzo
Bronze

FILETTATURE / THREAD:
G = EN 10226/1 (BS 21)

2080	■	■	■	■	■	■	■	■	■	■	■
2081	■	■	■	■	■	■	■	■	■	■	■
PN	32	32	32	32	32	32	32	32	25	25	25
Weight (gr)	210	185	270	380	625	985	1300	2480	3670	6540	10000
M	85	85	85	104	104	122	122	153	200	280	280
H	45	45	45	55	57	75	80	98	120	144	165
L	51	51	62	70	85	99	110	134	142	178	210
F	12	12	15	19	25	32	40	50	60	76	95
A	10	12	15	16.3	19.1	21.4	21.4	25.7	26	30	31
G	1/4"	3/8"	1/2"	3/4"	1"	1 1/4"	1 1/2"	2"	2 1/2"	3"	4"

2081



Versione con leva in
acciaio inox
Version with lever in
stainless steel