

Parts Catalog

**MDDCA, MDDCB, MDDCC,
MDDCD, MDDCE, MDDCF,
MDDCG, MDDCH, MDDCJ**

MODEL IDENTIFICATION

To avoid errors or delay in filling your parts order, always give the MODEL, SPEC NO. and SERIAL NO. from the Onan nameplate.

For handy reference, insert your nameplate information in the spaces below.

MODEL AND SPEC NO.

SERIAL NO.

DIGITAL CONTROL SOFTWARE VERSION
AND DATE (IF APPLICABLE)

SAFETY PRECAUTIONS

The following symbols are used in Onan manuals to alert users to the potentially dangerous conditions relating to maintenance of equipment and replacement of parts. Please read and observe.



This symbol warns of immediate hazards which will result in severe personal injury or death.



This symbol refers to a hazard or unsafe practice which can result in severe personal injury or death.



This symbol refers to a hazard or unsafe practice which can result in severe personal injury or product or property damage.

PRODUCT SAFETY PRECAUTIONS



Service and repair of Onan equipment must be performed by trained, experienced personnel only. Improper service or repair may result in property damage, severe personal injury or death. Do not use this catalog as a guide to servicing your equipment. Read and follow the IMPORTANT SAFETY INSTRUCTIONS in the Service Manual appropriate for the equipment you are working on.



Contact with USED ENGINE OILS has been identified by a United States federal agency and some USA state agencies as causing CANCER or REPRODUCTIVE TOXICITY. When checking or changing engine oils take all necessary precautions not to ingest, breathe the fumes or contact the used oil.



Contact with ASBESTOS has been identified by a United States federal agency and some USA state agencies as causing CANCER or REPRODUCTIVE TOXICITY. When handling engine gaskets take all necessary precautions not to ingest, breathe or contact the dust from the gaskets! Use adequate ventilation and wear protective gloves, masks and clothing!



Contact with BENZINE and LEAD, found in gasoline, fuel additives and solvents has been identified by a United States federal agency and some USA state agencies as causing CANCER or REPRODUCTIVE TOXICITY. When checking, draining or adding gasoline and fuel additives or using solvents take all necessary precautions not to ingest, breathe the fumes or contact the liquids. Use adequate ventilation and wear protective gloves, masks and protective clothing!

Introduction

This catalog applies to Onan Generator Models MDDC, as listed in the Generator Set Data Table. Parts are arranged in groups of related items and each illustrated part is identified by a reference number corresponding to the same reference number in the parts list. Parts illustrations are typical. Unless otherwise mentioned in the description or page heading, parts are interchangeable between models. Throughout this catalog left and right sides are determined by facing the engine end (front) of the set.

Engine parts that have been modified or added by Onan are identified in this catalog. All other engine replacement parts must be ordered from the engine manufacturer by referring to the engine manufacturer's name-plate and supplying all available information. Contact your nearest engine parts dealer for assistance in ordering replacement parts.

Replacement Engine

Onan/John Deere Generator Model	John Deere Engine Model
40MDDCA	CD4045TFM75 4Cylinder
55MDDCB	CD4045TFM75 4Cylinder
65MDDCC	CD4045TFM75 4Cylinder
80MDDCD	CD6068TFM76 6Cylinder
99MDDCE	CD6068TFM76 6Cylinder
40MDDCF	CD4045TFM75 4Cylinder
50MDDCG	CD4045TFM75 4Cylinder
65MDDCH	CD6068TFM76 6Cylinder
80MDDCJ	CD6068TFM76 6Cylinder

Replacement engines cannot be ordered from Onan. Order from your nearest John Deere distributor.

Generator Set Data Table

Model and Specification	Electrical Data					Battery Voltage
	Watts	Volts	Hertz	Wire	Phase	
40MDDCA*	40,000	#	60	4 or 12	1 or 3	12 or 24 VDC
55MDDCB*	55,000	#	60	4 or 12	1 or 3	12 or 24 VDC
65MDDCC*	65,000	#	60	4 or 12	1 or 3	12 or 24 VDC
80MDDCD*	80,000	#	60	4 or 12	1 or 3	12 or 24 VDC
99MDDCE*	99,000	#	60	4 or 12	1 or 3	12 or 24 VDC
40MDDCF*	40,000	#	50	4 or 12	1 or 3	12 or 24 VDC
50MDDCG*	50,000	#	50	4 or 12	1 or 3	12 or 24 VDC
65MDDCH*	65,000	#	50	4 or 12	1 or 3	12 or 24 VDC
80MDDCJ*	80,000	#	50	4 or 12	1 or 3	12 or 24 VDC

– Board range reconnectable.

* – The specification numbers denotes customer requested options or deviations from a standard model. The specification letter advances (D to E, E to F, etc.) with major manufacturing changes.

Index

- Adapter, Generator, **61**
- Adapter, Generator Stator, **61**
- Adapter, Pipe (4 Cylinder), **27**
- Adapter, Pipe (6 Cylinder), **28**
- Adapter, Pipe (Expansion Tank), **32**
- Adapter, Water Pump (Aux Drive), **37**
- Adapter, Water Pump (Wet Exhaust), **36**
- Alternator, **13**
- Alternator (Negative Ground Electrical System), **13**
- Assy Vent, Crankcase (4 Cylinder), **27**
- Assy Vent, Crankcase (6 Cylinder), **28**
- Assy, Control (ESDD), **58**
- Assy, Fuel Filter (4 Cylinder), **14**
- Assy, Fuel Filter (6 Cylinder), **15**
- Assy, PCB, **58**
- Assy, PTO Adapter, **49**
- Assy, Skid, **51**
- Assy, Water Pump, **48**

- Bell, End – Generator, **63**
- Belt, Poly Rib, **13**
- Block, Terminal – Generator Heater, **65**
- Box, Control (DC), **58**
- Box, Output, **57**
- Box, Output (Cover), **57**
- Box, Terminal – Generator Heater, **65**
- Bracket, Circuit Breaker (NSF), **75**
- Bracket, Crank Vent, **20**
- Bracket, Engine, **40**
- Bracket, Exhaust, **38, 39, 41, 42**
- Bracket, Expansion Tank, **32**
- Bracket, Fan (4 Cylinder), **53**
- Bracket, Fan (6 Cylinder), **55**
- Bracket, Fuel, **22**
- Bracket, Gauge, **26**
- Bracket, Generator Mounting, **63, 64**
- Bracket, PCB, **59**
- Bushing, **26**
- Bushing (4 Cylinder), **53**
- Bushing (6 Cylinder), **55**
- Bushing, Pipe, **36, 43**

- Cap, Coolant Recovery Tank, **34**
- Cap, Tube, **33**
- Cartridge, Generator Heater, **65**
- Catch, Door (4 Cylinder), **53**
- Catch, Door (6 Cylinder), **55**
- Circuit Breaker, **75, 76**
- Circuit, Breaker, **58**
- Clamp, Exhaust, **38, 39, 40, 41, 42**
- Clamp, Hose, **32, 33, 36, 38, 39, 41, 42, 43, 45**
- Clamp, Hose (6 Cylinder), **28**
- Clamp, Hose (Wet Exhaust), **43**
- Clamp, Water Pump Hose, **46, 46**
- Cleaner, Air, **11**
- Clutch, **49**
- Cock, Drain, **36, 43**
- Cock, Special Drain, **45**
- Collier, **12**
- Connector, Fem Bulkhead, **20**
- Connector, Hose (6 Cylinder), **28**
- Connector, Hose (6 Cylinder), **28**
- Connector, Hose (Siphon), **33**
- Cooler, Oil, **25**
- Cooler, Oil (7 Plate Modine), **25**
- Cooling Keel , **36**
- Cover, Access (4 Cylinder), **53**
- Cover, Access (6 Cylinder), **55**
- Cover, Circuit Breaker, **75**
- Cover, Control, **58**
- Cover, Enclosure (4 Cylinder), **53**
- Cover, Enclosure (6 Cylinder), **55**
- Cover, End Bell – Permanent Magnet Exciter, **66**
- Cover, Generator End Bell, **64**
- Cover, Heat Exchanger, **45**
- Cover, Oil Fill, **7**
- Cover, Stator – Bottom, **63**
- Cover, Stator – Top, **61**
- Cover, Thermostat, **47**
- Current, Transformer, **68**

- Dipstick, Oil , **8**
- Disc, Generator Drive, **61**
- Door, Access (4 Cylinder), **53**
- Door, Access (6 Cylinder), **55**
- Drive, Aux, **37**
- Dry Exhaust (With Sound Shield), **41**
- Dry Exhaust (Without Sound Shield), **40, 42**

- Elbow, 90 Deg, **26**
- Elbow, Exhaust, **40**
- Elbow, Exhaust (Mixer), **38**
- Elbow, Male, **26**
- Elbow, Pipe (4 Cylinder), **27**
- Elbow, Pipe (Adaptor), **26**
- Elbow, Tube (4 Cylinder), **27**
- Elbow, Tube (6 Cylinder), **28**
- Element, Filter, **14, 15**
- Exchanger, Heat, **45**
- Exchanger, Heat (Wet), **43**
- Exciter, Permanent Magnet, **66**
- Exhaust, Dry (With Sound Shield), **39**
- Exhaust, Wet (With Sound Shield), **38**

Index

- Filter, Fuel (MDDCA, MDDCB, MDDCC, MDDCF and MDDCG), **14**
- Filter, Fuel (MDDCD, MDDCE, MDDCH and MDDCJ), **15**
- Filter, Oil, **23, 24**
- Filter, Oil (MDDCA, MDDCB, MDDCC, MDDCF and MDDCG), **23**
- Filter, Oil (MDDCD, MDDCE, MDDCH and MDDCJ), **24**
- Flange, Manifold, **32**

- Gasket, Air Inlet, **12**
- Gasket, Manifold, **32**
- Gasket, Oil Cooler Adapter, **7**
- Gasket, Oil Cooler Housing, **25**
- Gasket, Oil Fill, **26**
- Gasket, Oil Fill Cover, **7**
- Gasket, Oil Filter Adapter, **23, 24**
- Gasket, Oil Pan, **9**
- Gasket, Rocker Arm Cover, **7**
- Gasket, Thermostat Cover, **47**
- Gasket, Timing Gear Cover, **7**
- Gasket, Turbocharger, **10**
- Gasket, Water Pump, **48**
- Gauge, Oil, **8**
- Generator, **60**
- Grommet, **51, 56**
- Grommet (4 Cylinder), **53**
- Grommet (6 Cylinder), **55**
- Grommet, Boot, **57**
- Grommet, Remote, **57, 58**
- Grommet, Rubber, **57**
- Guard Fan (UC27), **67**
- Guard Fan (UCD22), **67**
- Guard, Belt, **31**
- Guard, Coupling, **56**
- Guard, Electrical Switch, **68**
- Guard, Generator Fan, **63**
- Guide, Oil Gauge, **8**

- Hanger, Coolant Recovery Tank, **34**
- Harness, Engine, **58**
- Harness, Extension (Optional), **74**
- Harness, Extension AC, **74**
- Harness, Extension (Standard), **74**
- Harness, Extension , **74**
- Harness, Junction, **73**
- Harness, Regulator, **68**
- Harness, Remote, **69**
- Harness, Remote Extension, **73**
- Harness, Remote Panel (W/Switch), **69, 70, 71**
- Harness, Switch, **26**
- Harness, Wiring – Permanent Magnet Exciter, **66**

- Harnesses, Wiring, **72**
- Header, Oil Filter, **23, 24**
- Heat Exchanger (Wet), **44**
- Heater, Engine Coolant, **35**
- Heater, Generator, **65**
- Hose Coolant (Wet Exhaust), **43**
- Hose, Breather (6 Cylinder), **28**
- Hose, Breather (4 Cylinder), **27**
- Hose, Coolant, **32, 33, 36, 43**
- Hose, Coolant Recovery, **34**
- Hose, Fuel, **20, 22**
- Hose, Fuel (4 Cylinder), **27**
- Hose, Fuel (6 Cylinder), **28**
- Hose, Intake, **11**
- Hose, Lower Radiator, **46**
- Hose, Oil, **26**
- Hose, Oil Fill (6 Cylinder), **28**
- Hose, Oil Filler (4 Cylinder), **27**
- Hose, Seawater, **45**
- Hose, Upper Radiator, **46**
- Hourmeter, **58**
- Housing (MDDCA, MDDCB, MDDCC, MDDCF and MDDCG), **52**
- Housing (MDDCD, MDDCE, MDDCH and MDDCJ), **54**
- Housing, Control, **57**
- Housing, Control (DC), **58**
- Housing, Oil Cooler, **25**
- Housing, Oil Cooler Adapter, **7**
- Housing, PTO, **56**
- Housing, Thermostat, **47**
- Hub, Generator Drive, **61**

- Injection, Line Fuel No. 1, **19**
- Injection, Line Fuel No. 2, **19**
- Injection, Line Fuel No. 3, **19**
- Injection, Line Fuel No. 4, **19**
- Injection, Line Fuel No. 5, **19**
- Injection, Line Fuel No. 6, **19**
- Injection, Line Fuel No.1, **18**
- Injection, Line Fuel No.2, **18**
- Injection, Line Fuel No.3, **18**
- Injection, Line Fuel No.4, **18**
- Inlet, Water Pump, **46**
- Insulation, Baffle, **56**
- Insulation, Baffle (4 Cylinder), **53**
- Insulation, Baffle (6 Cylinder), **55**
- Insulation, Cover (4 Cylinder), **53**
- Insulation, Cover (6 Cylinder), **55**
- Insulation, Door (4 Cylinder), **53**
- Insulation, Door (6 Cylinder), **55**
- Insulation, Enclosure (4 Cylinder), **53**
- Insulation, Enclosure (6 Cylinder), **55**

Index

- Insulation, Enclosure (Stiffener) (4 Cylinder), **53**
- Insulation, Enclosure (Stiffener) (6 Cylinder), **55**
- Insulation, Exhaust, **39**
- Insulation, Roof (4 Cylinder), **53**
- Insulation, Roof (6 Cylinder), **55**
- Insulation, Sound, **56**
- Insulation, Sound (Front), **56**
- Isolator, Vibration, **26, 51, 58**
- Isolator, Vibration , **51**

- Kit, Control (Manual Voltage Regulator), **68**
- Kit, Control Display, **58**
- Kit, Coolant Recovery, **34**
- Kit, Expansion Tank, **32**
- Kit, Fuel (Transfer Pump), **22**
- Kit, Header Final Filter, **14**
- Kit, Heater (110–125V), **65**
- Kit, Heater (220–260V), **65**
- Kit, Heater – Engine Coolant, **35**
- Kit, Hose (Wet Exhaust), **38**
- Kit, Indicator Oil Level, **26**
- Kit, Muffler (Water Lift), **38**
- Kit, Muffler (Water Separator), **38**
- Kit, PTO MDDCA, MDDCB, MDDCC, MDDCF and MDDCG, **49**
- Kit, PTO MDDCD, MDDCE, MDDCH, and MDDCJ, **49**
- Kit, Regulator–PMG, **66**
- Kit, Remote Control Panel (W/Switch), **69, 70, 71**
- Kit, Seawater Pump Impeller Repair, **36, 43**
- Kit, Seawater Pump Major Repair, **36, 43**
- Kit, Siphon Break, **33**
- Kit, Sound Shield (4 Cylinder), **53**
- Kit, Sound Shield (6 Cylinder), **55**
- Kit, Sound Shield (PTO), **56**
- Kit, Unitized Seal, **7**
- Kit, Valve, **14, 15**
- Kit, Water Pump Insert Service, **48**
- Kit, Water Pump, High Flow, **48**

- Label, Remote Panel (W/Switch) (Start/Preheat), **70, 71**
- Labels and Tag, **78**
- Latch, Door (4 Cylinder), **53**
- Latch, Door (Flush Pull) (6 Cylinder), **55**
- Level, Oil, **26**
- Line, Flexible Oil, **10**
- Line, Fuel, **16**
- Line, Oil, **37**
- Line, Turbo Drain, **10**
- Lines, Fuel, **16, 20**
- Lines, Fuel Injection (MDDCA, MDDCB, MDDCC, MDDCF and MDDCG), **18**
- Lines, Fuel Injection (MDDCD, MDDCE, MDDCH and MDDCJ), **19**
- Lines, Turbocharger, **10**
- Louver – Generator, **67**

- Manifold, Intake , **12**
- Motor, Starter, **29**
- Mount, Engine, **51**
- Mounting, Printed Circuit Board, **59**

- Nozzle, Fuel Injection, **17**

- O’ Ring, **25**
- O’ Ring, Packing, **25**
- O’Ring, **23**

- Packing, O’Ring, **37, 46, 48**
- Pan, Drip, **51**
- Pan, Skid (4 Cylinder), **53**
- Pan, Skid (6 Cylinder), **55**
- Panel ,Roof (End) (4 Cylinder), **53**
- Panel ,Roof (End) (6 Cylinder), **55**
- Panel Saddle (Cover), **57**
- Panel, Access (4 Cylinder), **53**
- Panel, Access (6 Cylinder), **55**
- Panel, Air Baffle (4 Cylinder), **53**
- Panel, Air Baffle (6 Cylinder), **55**
- Panel, Control (Non–ESDD), **58**
- Panel, Control Box, **58**
- Panel, Enclosure, **56**
- Panel, Enclosure (4 Cylinder), **53**
- Panel, Enclosure (6 Cylinder), **55**
- Panel, Remote (W/Switch), **70, 71**
- Panel, Roof (4 Cylinder), **53**
- Panel, Roof (6 Cylinder), **55**
- Parts, External Engine, **7**
- PCB Assy, Control, **59**
- Pipe, Exhaust, **39**
- Pipe, Exhaust (Mixer), **41**
- Plate, Engine, **26**
- Plug, Anode, **45**
- Plug, Drain, **23**
- Plug, Exhaust Manifold, **45**
- Plug, Hole, **57, 58**
- Plug, Hole (4 Cylinder), **53**
- Plug, Hole (6 Cylinder), **55**
- Plug, Oil Gauge, **8**
- Plug, Pipe Hex Head (4 Cylinder), **27**
- Plug, Special (With O’ Ring), **24**
- Plug, with O’Ring, **23, 24**
- Pulley, Constant Tension Idler, **13**
- Pulley, Crankshaft , **13**
- Pulley, Idler, **13**

Index

- Pulley, with Bearing, **13**
- Pump, Coolant, **48**
- Pump, Fuel, **22**
- Pump, Fuel (Mechanical), **21**
- Pump, Fuel Transfer (Electric), **22**
- Pump, Fuel Transfer (Mechanical), **21**
- Pump, Water, **36**

- Rectifier Assembly, **61**
- Regulator, Automatic Voltage, **68**
- Regulator, Voltage – Manual, **68**
- Regulator, Voltage –Auto, **68**
- Relay, SPDT, **58**
- Relay, Starter Solenoid (12V), **30**
- Relay, Starter Solenoid (24V), **30**
- Rotor – Permanent Magnet Exciter, **66**
- Rotor Assembly, Exciter, **61**
- Rotor Assembly, Generator, **61**

- Saddle, Control Box, **57**
- Screen, Air Inlet, **63**
- Seal, Brush (4 Cylinder), **53**
- Seal, Brush (6 Cylinder), **55**
- Seal, Edge, **57**
- Seal, Enclosure (4 Cylinder), **53**
- Seal, Enclosure (6 Cylinder), **55**
- Seal, Fuel Pump O’Ring, **21**
- Seal, Rear Oil, **7**
- Seal, Weather (4 Cylinder), **53**
- Seal, Weather (6 Cylinder), **55**
- Sender, Low Coolant, **43**
- Sensor, Magnetic Pick Up, **7**
- Sensor, Oil Pressure, **7**
- Siphon, **33**
- Skid, **50**
- Snubber, Ring, **58**
- Solenoid, Starter, **30**
- Spacer, Idler Pulley, **13**
- Spacer, Mounting – End Bell – Permanent Magnet Exciter, **66**
- Spacer, Panel (4 Cylinder), **53**
- Standoff, Insulator, **58**

- Starter, **29**
- Stator, Exciter, **63**
- Stator, Generator, **61**
- Stator, Permanent Magnet Exciter, **66**
- Stiffener, Enclosure (4 Cylinder), **53**
- Stiffener, Enclosure (6 Cylinder), **55**
- Strap, Bond, **51**
- Strap, Electrical, **57**
- Switch, Hi Exhaust Temperature, **38**
- Switch, Oil Level, **26**
- Switch, Pressure, **43**
- Switch, Remote Control Panel Rocker, **69, 70, 71**
- Switch, Rocker SPDT, **58**
- Switch, Toggle, **68**
- System, Coolant, **46**
- System, Fuel Injection, **17**

- Takeoff, Power , **49**
- Tank, Coolant Recovery, **34**
- Tank, Expansion, **32**
- Tee, Street, **43**
- Tee, Street (4 Cylinder), **27**
- Thermostat, **47**
- Transformer, PCB ISLN, **68**
- Trim, Edge, **57, 58**
- Trim, Edge (4 Cylinder), **53**
- Trim, Edge (6 Cylinder), **55**
- Tube, Air Inlet, **12**
- Tube, Seawater, **45**
- Tube, Vent, **26**
- Tube, Water, **36, 43, 46**

- UC22 Generator, **61**
- UC27 Generator, **61**

- Valve, Ball (4 Cylinder), **27**
- Valve, Ball (6 Cylinder), **28**
- Valve, Check, **33**
- Vent, Crankcase (MDDCA, MDDCB, MDDCC, MDDCF and MDDCG), **27**
- Vent, Crankcase (MDDCD, MDDCE, MDDCH and MDDCJ), **28**

Abbreviations

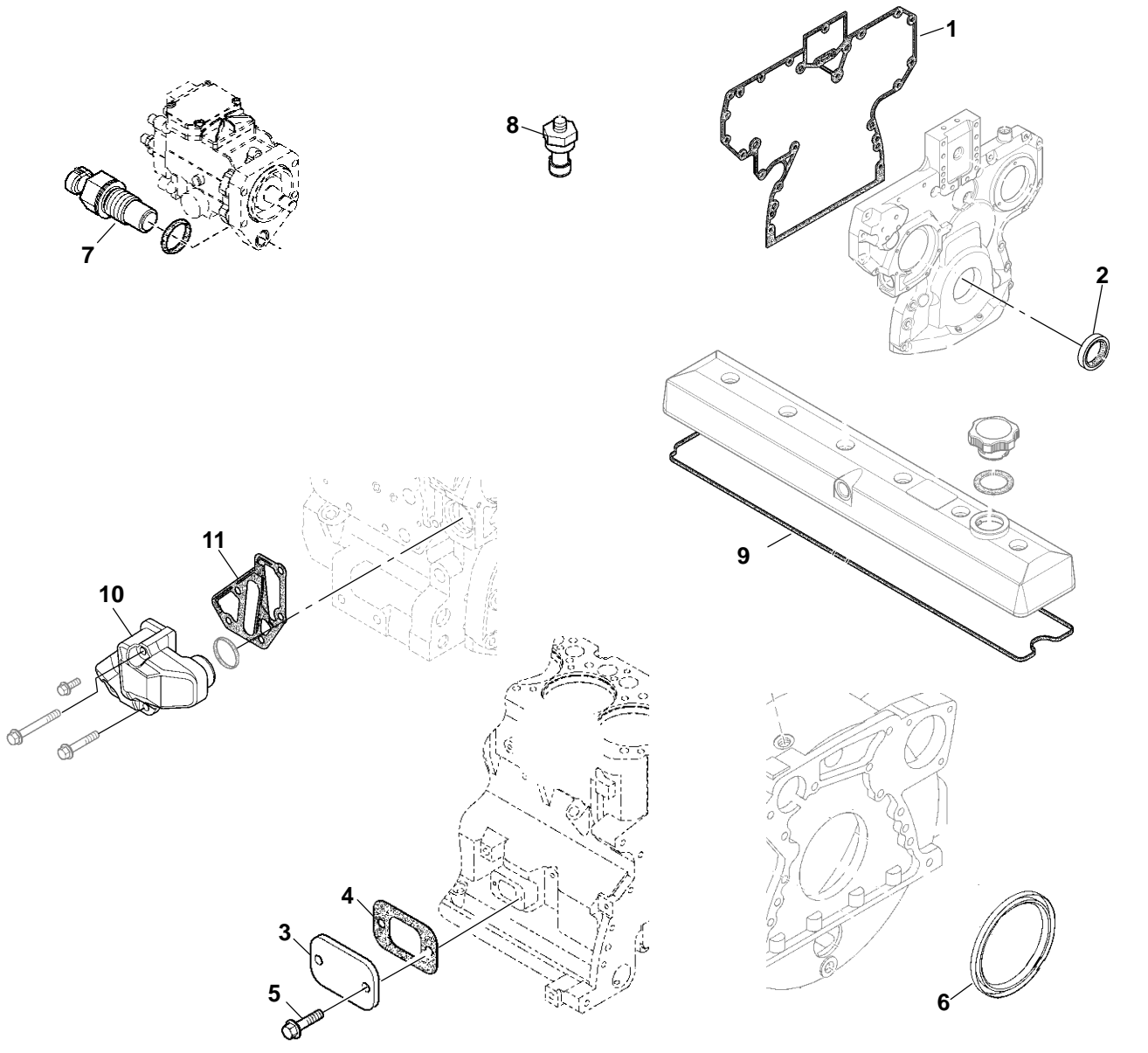
Some of the following abbreviations may be used throughout this Parts Catalog;

Alternating Current	AC	Millimeter	mm
Ampere	Amp	Not For Sale	NFS
As Required	A/R	Nominal Pipe Thread	NPT
Automatic Voltage Regulator	AVR	Outside Diameter	OD
American Wire Gauge	AWG	Ounce	oz.
Degree	Deg	Phase	Ph
Direct Current	DC	Printed Circuit	PC
External Tooth	ET	Right	RT
External/Internal Tooth	EIT	Specification	Spec
Ground Fault Interrupter	GFI	Thick	Thk
Inside Diameter	ID	Union National Coarse	UNC
Internal Tooth	IT	Union National Fine	UNF
Kilowatt	kW	Volts Alternating Current	VAC
Liquid Petroleum Gas	LPG	Volts Direct Current	VDC
Left	LT	With	W/(ET, IT, EIT)
Meter	M(Meter Number)		

Paint and Thread Sealant

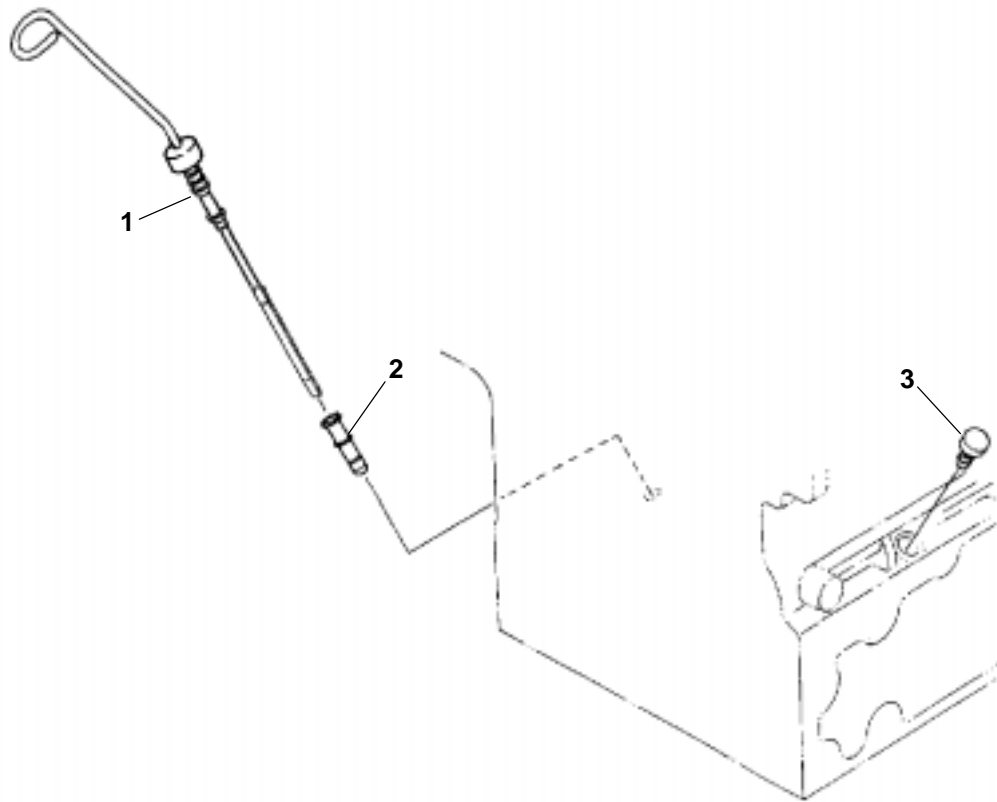
REF NO.	PART NO.	QTY USED	PART DESCRIPTION	REF NO.	PART NO.	QTY USED	PART DESCRIPTION
525-0700-02		-	Paint, Marine Brite-White (12 oz. Pressurized Spray Can)	518-0601		-	Sealant, Thread (6 ml Tube)

External Engine Parts



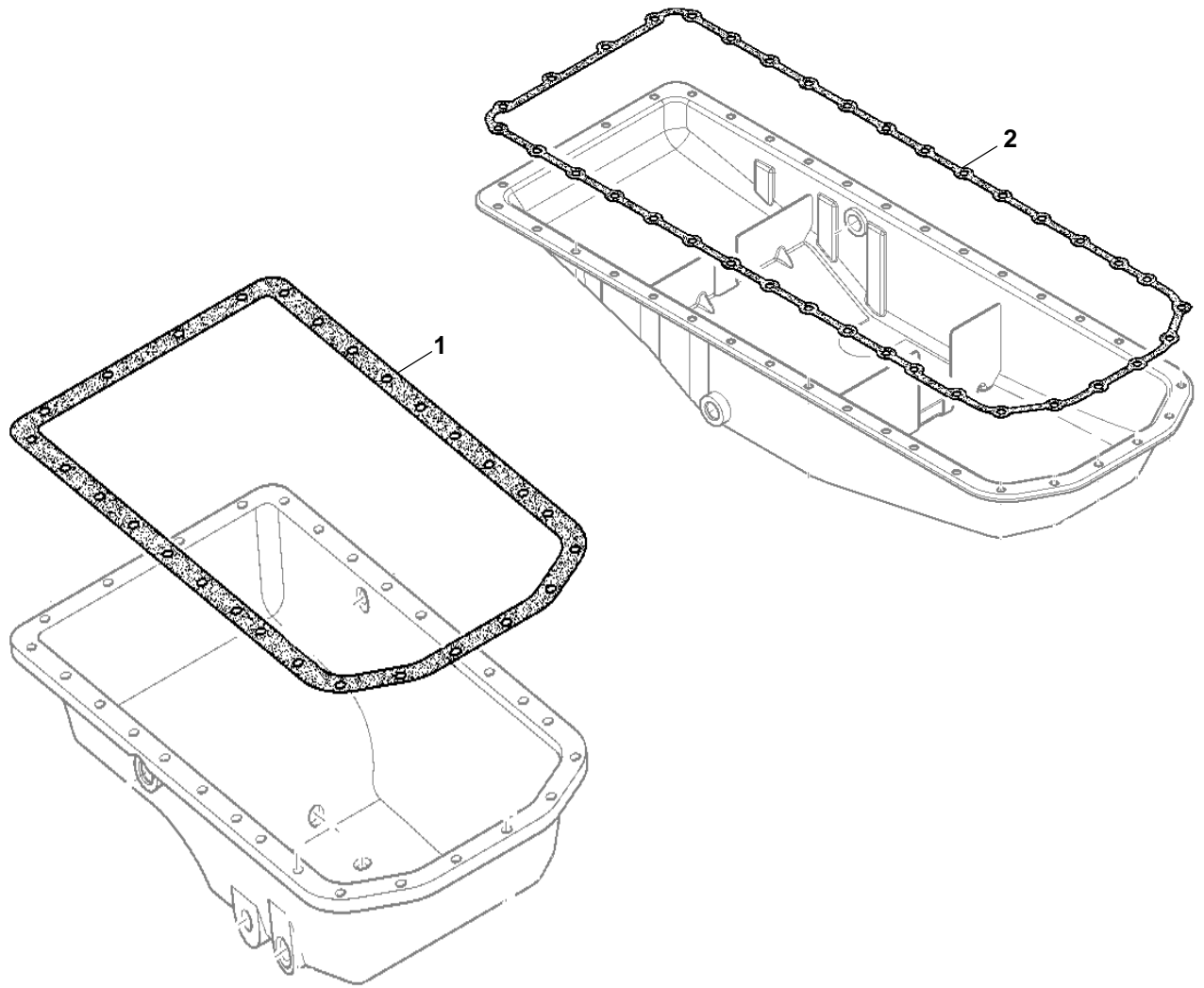
REF NO.	PART NO.	QTY USED	PART DESCRIPTION	REF NO.	PART NO.	QTY USED	PART DESCRIPTION
1	234-1029	1	Gasket, Timing Gear Cover	7	150-2829	1	Sensor, Magnetic Pick Up
2	541-1138	1	Kit, Unitized Seal	8	193-0574	1	Sensor, Oil Pressure
3	123-2255	1	Cover, Oil Fill	9	115-0507	1	Gasket, Rocker Arm Cover MDDCA, MDDCB, MDDCC, MDDCF and MDCG
4	123-2249	1	Gasket, Oil Fill Cover		115-0508	1	MDDCD, MDDCE, MDDCH and MDCJ
5	800-6318	2	Screw, Cap w/ Preapplied (M8 x 20mm)	10	102-1520	1	Housing, Oil Cooler
6			Seal, Rear Oil	11	234-1030	1	Gasket, Oil Cooler Adapter
	509-0398	1	MDDCA, MDDCB, MDDCC, MDDCF and MDCG				
	509-0407	1	MDDCD, MDDCE, MDDCH and MDCJ				

Oil Dipstick



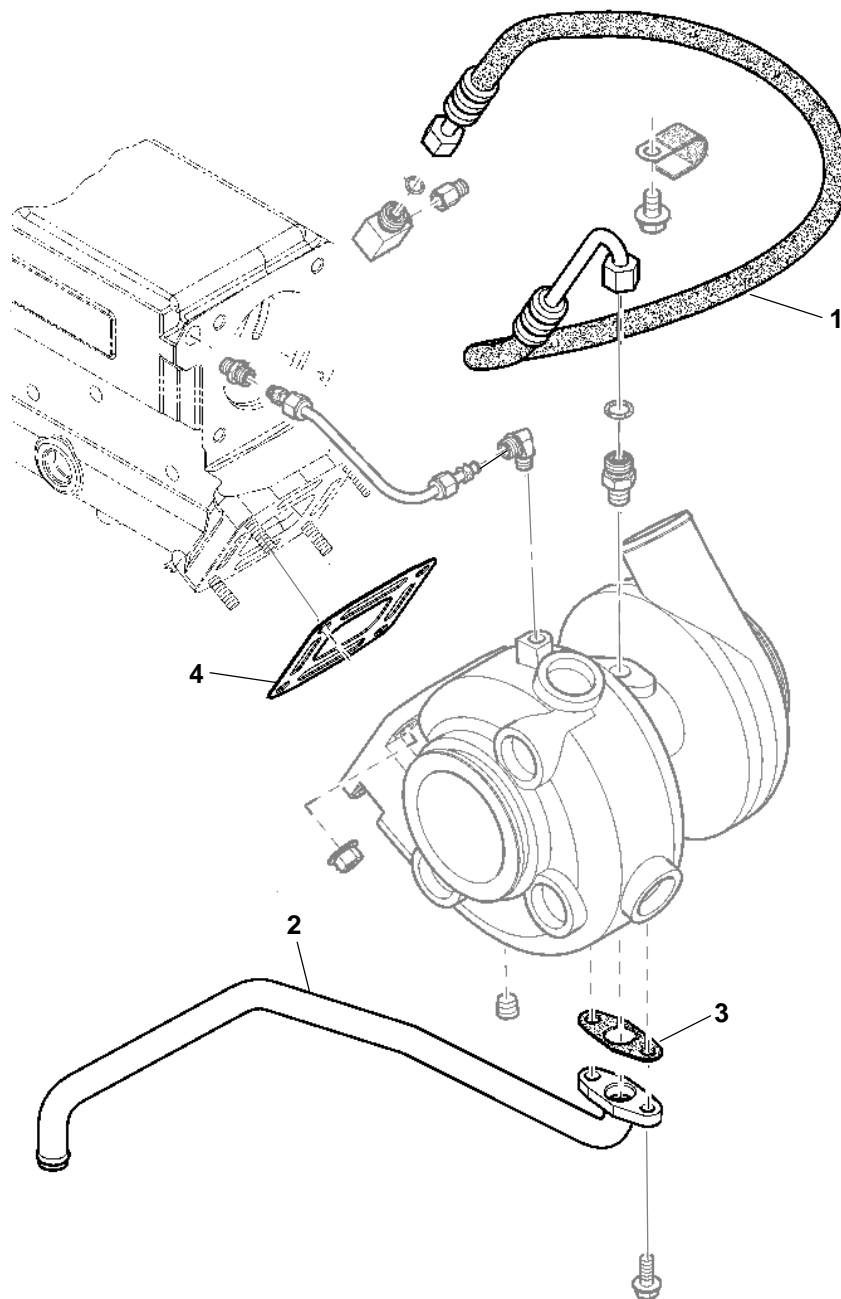
REF NO.	PART NO.	QTY USED	PART DESCRIPTION
1	123-2256	1	Gauge, Oil
2	123-2257	1	Guide, Oil Gauge MDDCA, MDDCB, MDDCC, MDDCF and MDCG
	123-2258	1	MDDCD, MDDCE, MDDCH and MDCJ
3	323-2180	1	Plug, Oil Gauge

Oil Pan Gasket



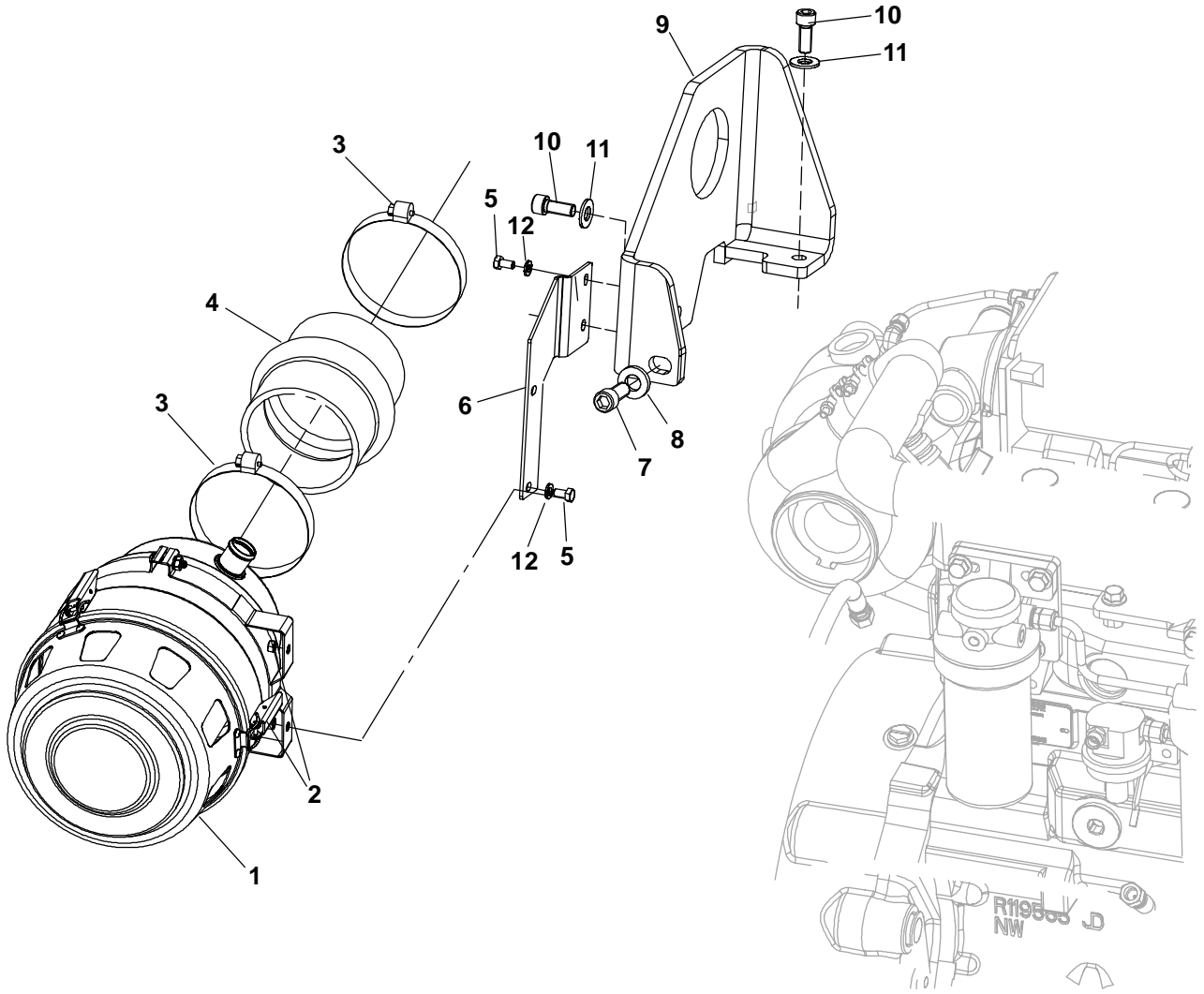
REF NO.	PART NO.	QTY USED	PART DESCRIPTION
1	102-1517	1	Gasket, Oil Pan (MDDCA, MDDCB, MDDCC, MDDCF and MDCG)
2	102-1521	1	Gasket, Oil Pan (MDDCD, MDDCE, MDDCH and MDCJ)

Turbocharger Lines



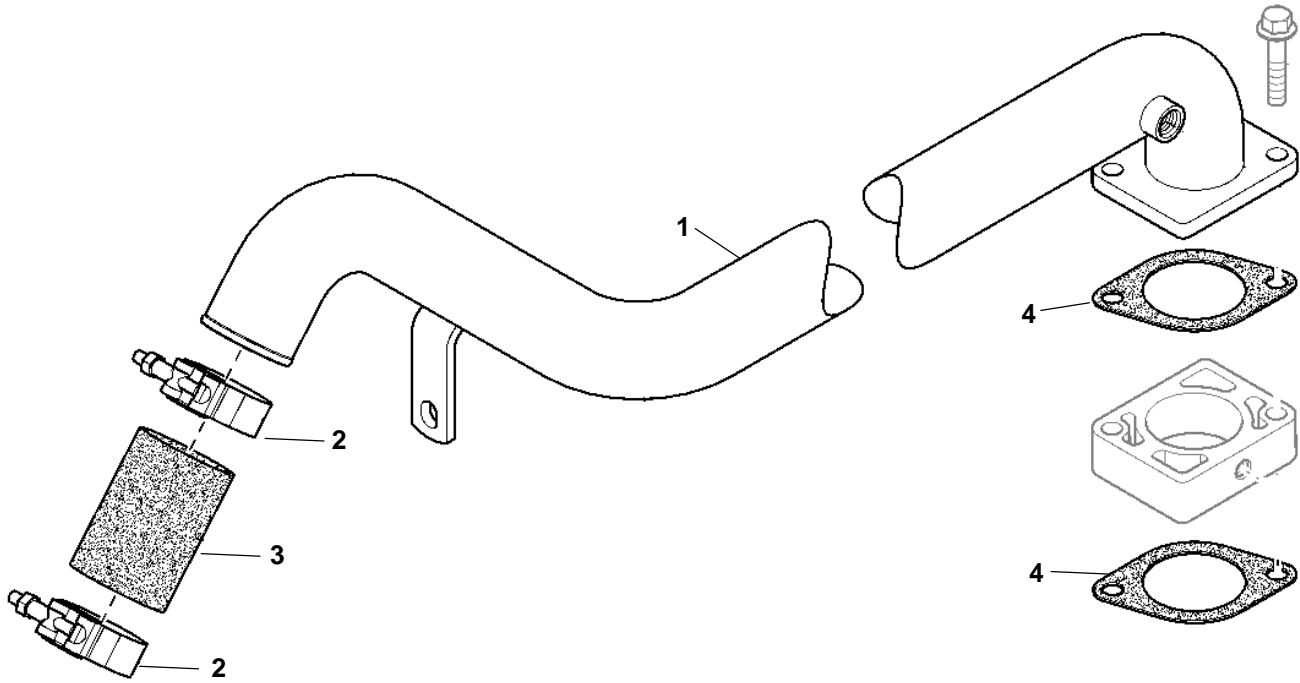
REF NO.	PART NO.	QTY USED	PART DESCRIPTION
1	501-0861	1	Line, Flexible Oil
2	501-0862	1	Line, Turbo Drain
3	127-0462	1	Gasket, Turbocharger
4	127-0461	1	Gasket, Turbocharger

Air Cleaner



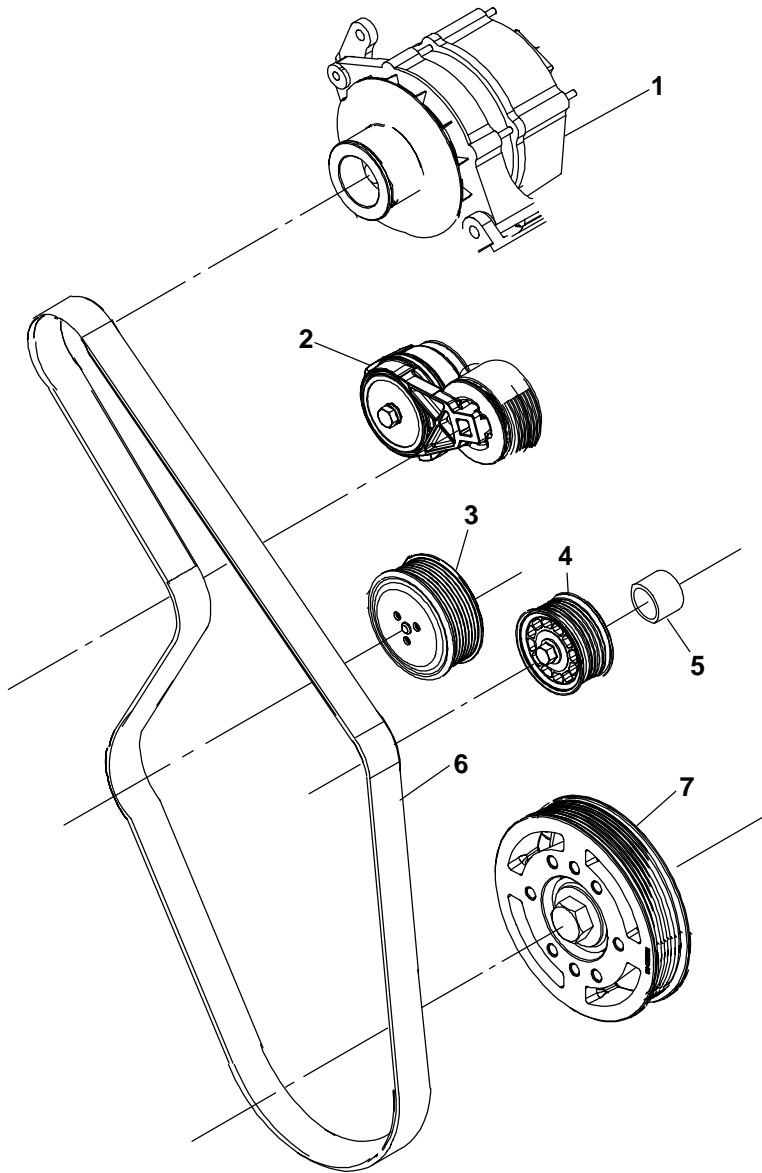
REF NO.	PART NO.	QTY USED	PART DESCRIPTION	REF NO.	PART NO.	QTY USED	PART DESCRIPTION
1	140-3589	1	Cleaner, Air	5	800-3017-02	4	Screw, Hex Head (M6 x 1 x 12mm)
2	862-0026-54	2	Nut, Hex (M6 x 1)	6	140-3584-03	1	Bracket, Air Cleaner
3	503-1872-07	2	Clamp MDDCA, MDDCB, MDDCC MDDCF, MDDCG, MDDCH and MDDCJ	7	725-1101	1	Screw, Socket Head (M12 x 1.75 x 30mm)
4	503-1872-05	2	MDDCD and MDDCE	8	526-0399-73	1	Washer, Flat (M12)
	503-2476	1	Hose, Intake MDDCA, MDDCB, MDDCC MDDCF, MDDCG, MDDCH and MDDCJ	9	403-5283-03	1	Bracket, Engine
	503-2477	1	MDDCD and MDDCE	10	725-1075	2	Screw, Socket Head (M10 x 1.50 x 25mm)
				11	526-0399-43	2	Washer, Flat (.438")
				12	526-0399-58	4	Washer, Flat (M6)

Intake Manifold



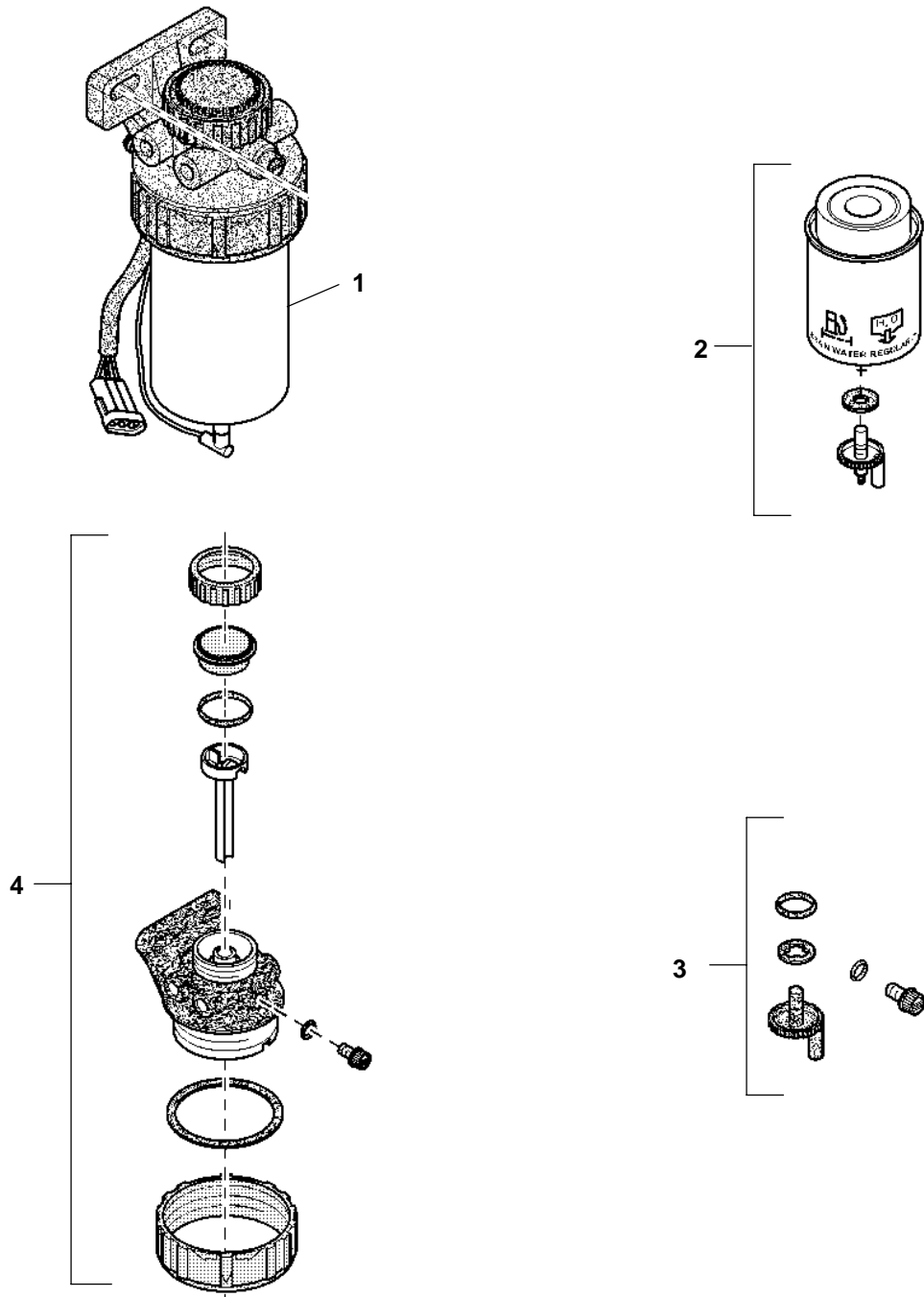
REF NO.	PART NO.	QTY USED	PART DESCRIPTION	REF NO.	PART NO.	QTY USED	PART DESCRIPTION
1	130-6261	1	Tube, Air Inlet MDDCA, MDDCB, MDDCC MDDCF and MDDCG	3	503-2521	1	Hose MDDCA, MDDCB, MDDCC MDDCF and MDDCG
	130-6272	1	MDDCD, MDDCE, MDDCH and MDDCJ		503-2530	1	MDDCD, MDDCE, MDDCH and MDDCJ
2	503-2520	2	Collier	4	154-3186	2	Gasket, Air Inlet

Alternator



REF NO.	PART NO.	QTY USED	PART DESCRIPTION	REF NO.	PART NO.	QTY USED	PART DESCRIPTION
1			Alternator	3	512-0292	1	Pulley, with Bearing
	191-2361	1	12 Volt Iso Gnd	4	512-0290	1	Pulley, Idler
	191-2362	1	24 Volt Iso Gnd	5	130-6265	1	Spacer, Idler Pulley
	191-2357	1	12 Volt Neg Gnd	6	511-0215	1	Belt, Poly Rib
	191-2358	1	24 Volt Neg Gnd	7	512-0289	1	Pulley, Crankshaft (4 Cylinder)
2	512-0291	1	Pulley, Constant Tension Idler				

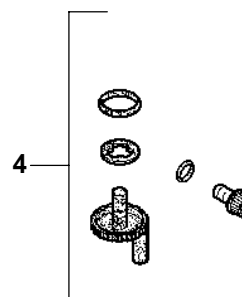
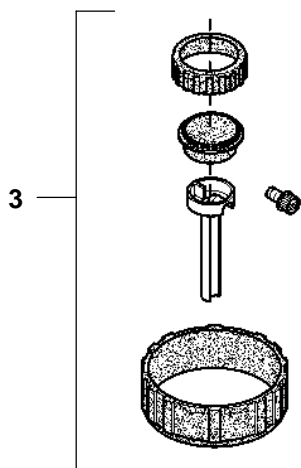
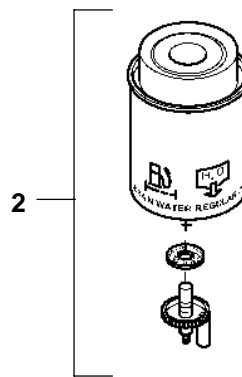
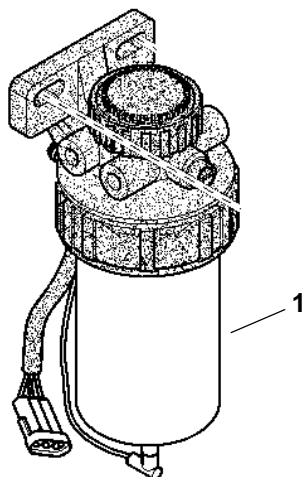
Fuel Filter (MDDCA, MDDCB, MDDCC, MDDCF and MDDCG)



REF NO.	PART NO.	QTY USED	PART DESCRIPTION
1	149-2728		Assy, Fuel Primary Filter
	149-2729		Water Separator
	149-2730		Water Separator
	149-2730		Water Separator
2			Element, Filter
	149-2722	1	6"
	149-2723	1	4.3"

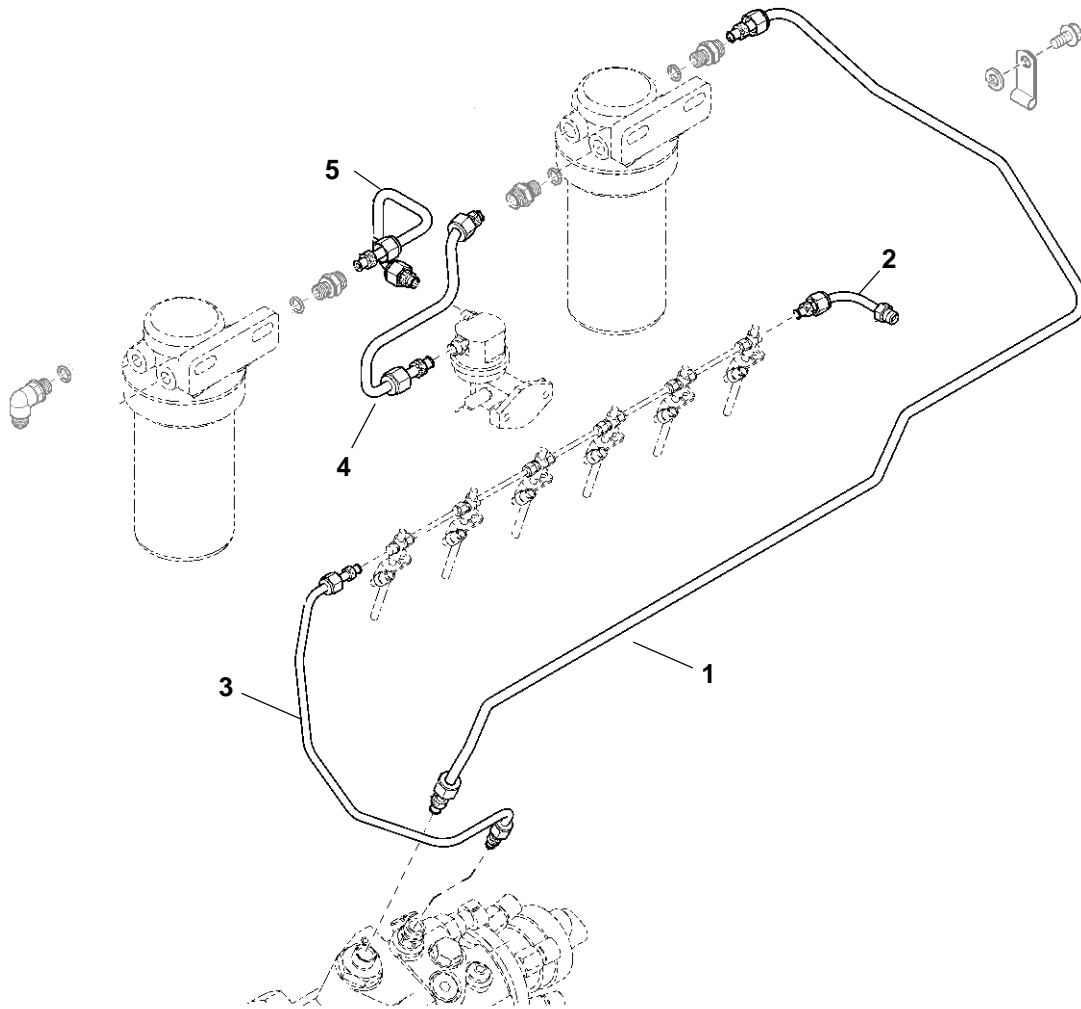
REF NO.	PART NO.	QTY USED	PART DESCRIPTION
3	541-1144	1	Kit, Valve
4	541-1145	1	Kit, Header Final Filter

Fuel Filter (MDDCD, MDDCE, MDDCH and MDDCJ)



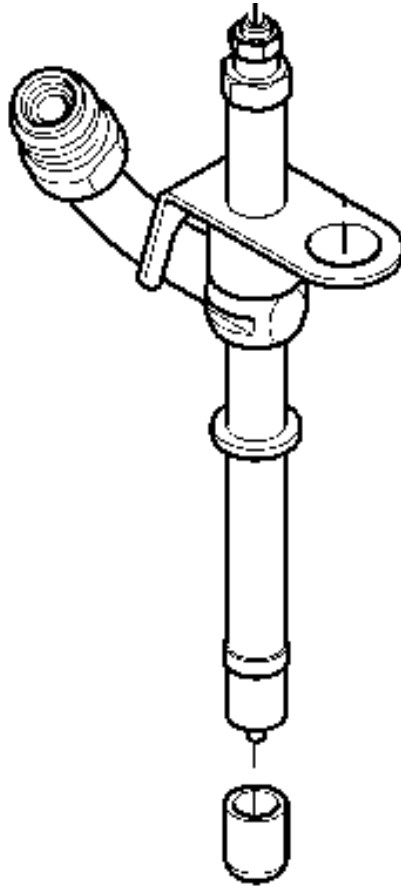
REF NO.	PART NO.	QTY USED	PART DESCRIPTION	REF NO.	PART NO.	QTY USED	PART DESCRIPTION
1	149-2730	1	Assy, Fuel Filter 6"	2	149-2724	1	Element, Filter
	149-2731	1	2 Mic	3	149-2725	1	Element, Filter
	149-2732	1	10 Mic	4	541-1144	1	Kit, Valve
			10 Mic				

Fuel Lines



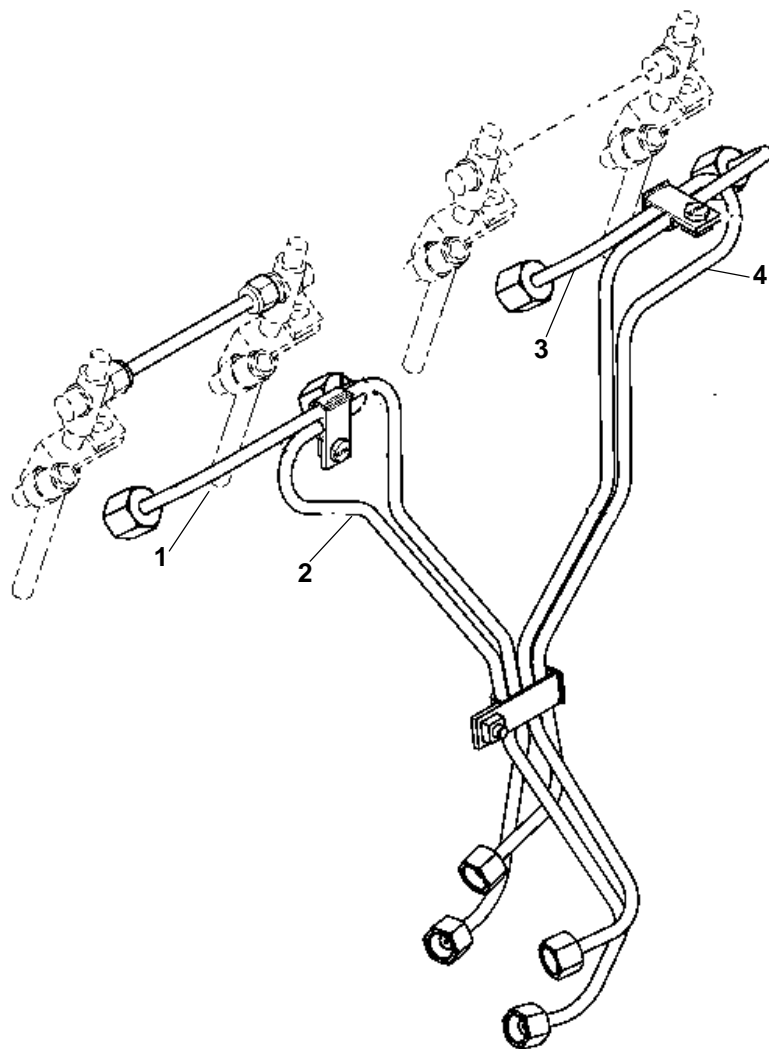
REF NO.	PART NO.	QTY USED	PART DESCRIPTION	REF NO.	PART NO.	QTY USED	PART DESCRIPTION
1	501-0859	1	Line, Fuel MDDCA, MDDCB, MDDCC MDDCF and MDCG	4	501-0858	1	Line, Fuel
	501-0869	1	MDDCD, MDDCE, MDDCH and MDCJ	5	501-0860	1	Line, Fuel
2	501-0871	1	MDDCA, MDDCB, MDDCC MDDCF and MDCG		501-0870	1	MDDCD, MDDCE, MDDCH and MDCJ
3	501-0857	1	Line, Fuel				

Fuel Injection System



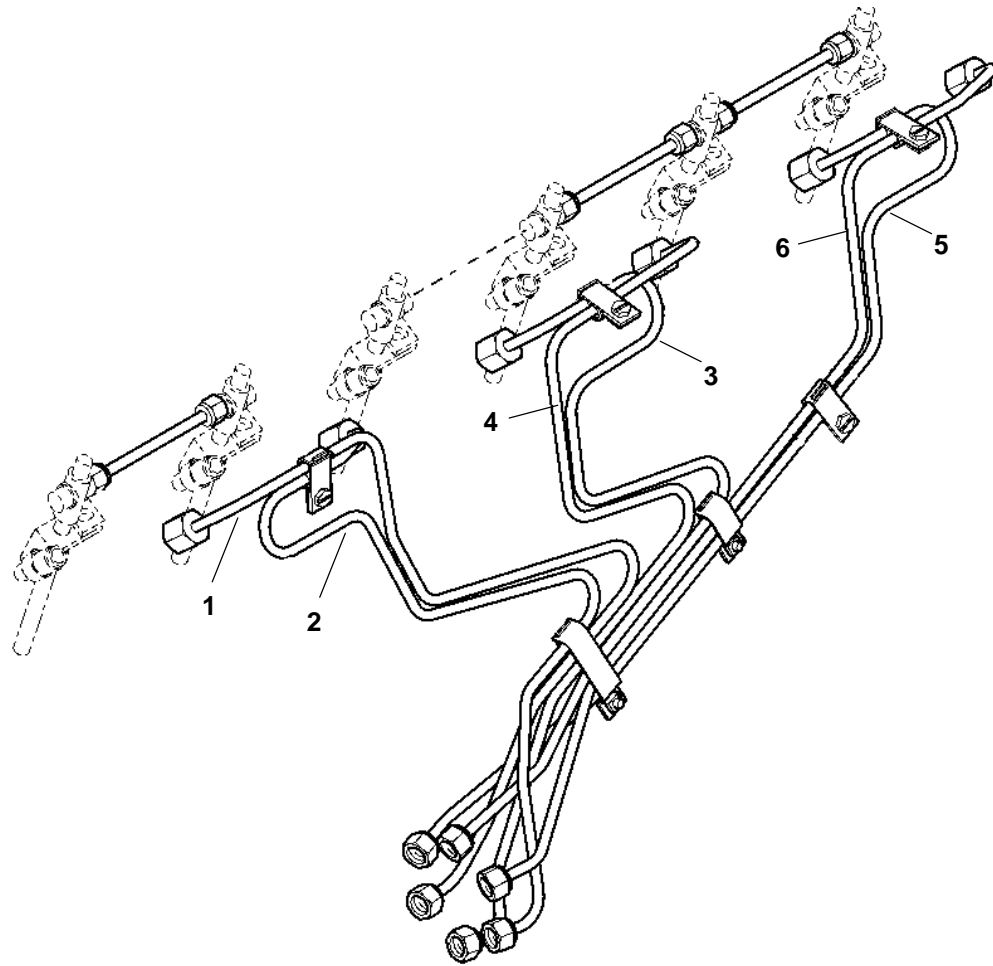
REF NO.	PART NO.	QTY USED	PART DESCRIPTION
1	147-0887		Nozzle, Fuel Injection 4 Cylinder (1500RPM)
	147-0888		4 Cylinder (1800RPM)
	147-0889		6 Cylinder

**Fuel Injection Lines
(MDDCA, MDDCB, MDDCC, MDDCF
and MDDCG)**



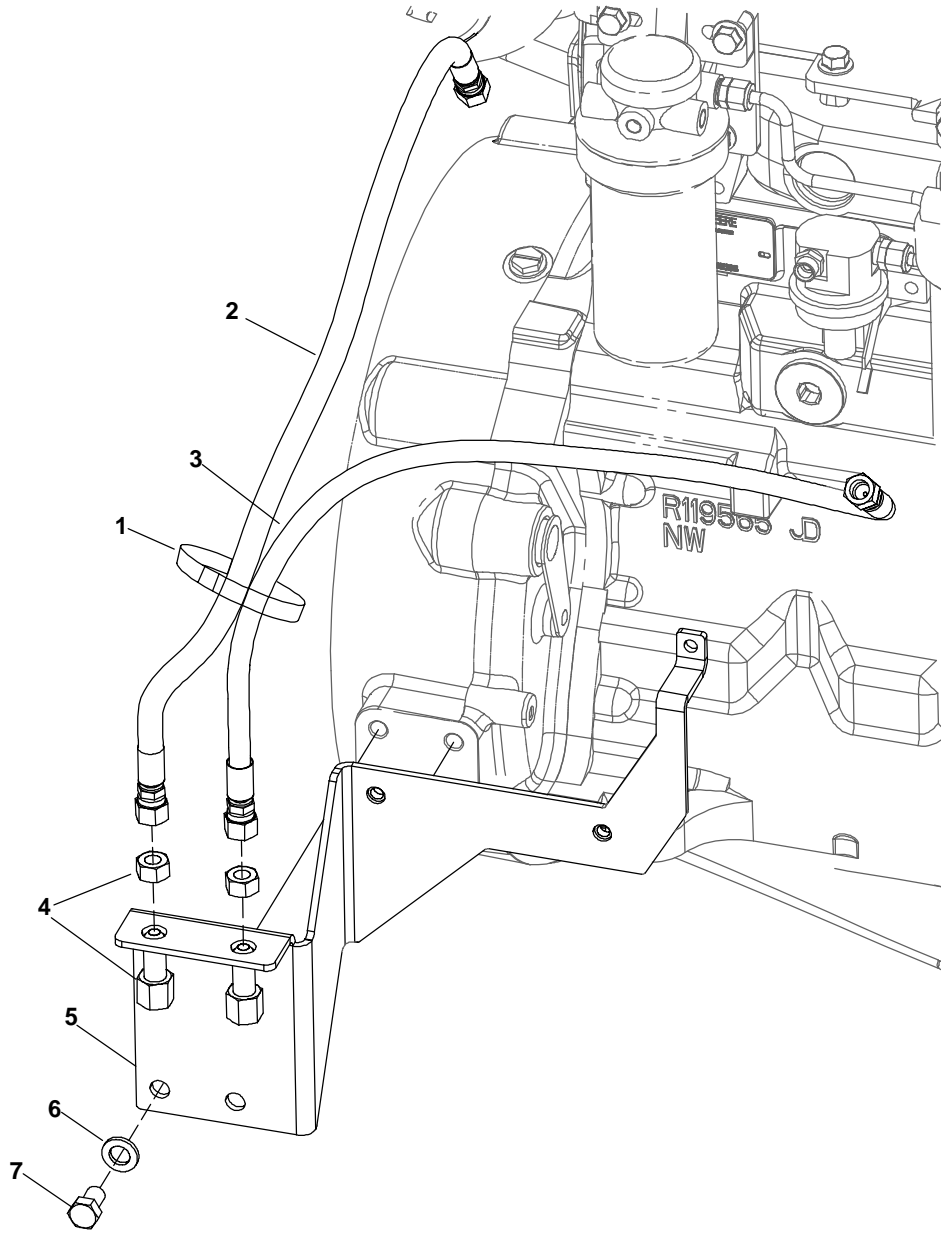
REF NO.	PART NO.	QTY USED	PART DESCRIPTION
1	501-0852	1	Injection, Line Fuel No.1
2	501-0853	1	Injection, Line Fuel No.2
3	501-0854	1	Injection, Line Fuel No.3
4	501-0855	1	Injection, Line Fuel No.4

**Fuel Injection Lines
(MDDCD, MDDCE, MDDCH and MDDCJ)**



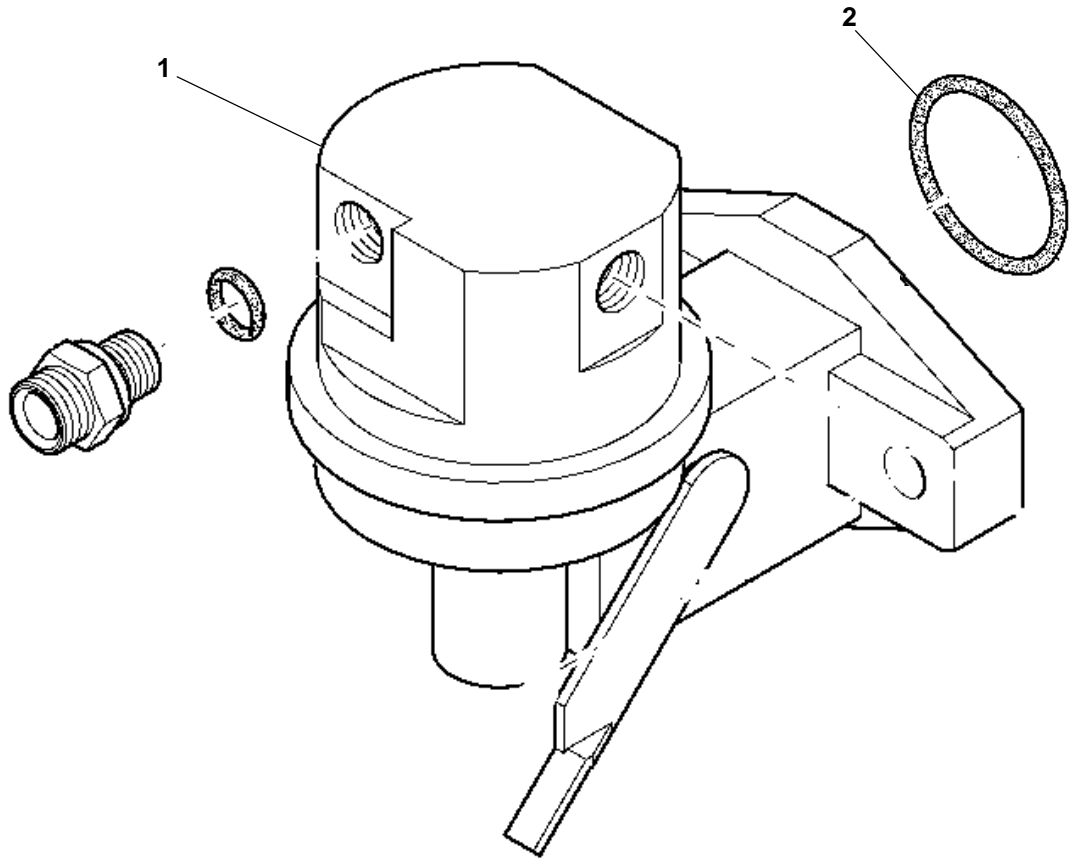
REF NO.	PART NO.	QTY USED	PART DESCRIPTION
1	501-0863	1	Injection, Line Fuel No. 1
2	501-0864	1	Injection, Line Fuel No. 2
3	501-0865	1	Injection, Line Fuel No. 3
4	501-0866	1	Injection, Line Fuel No. 4
5	501-0867	1	Injection, Line Fuel No. 5
6	501-0868	1	Injection, Line Fuel No. 6

Fuel Lines



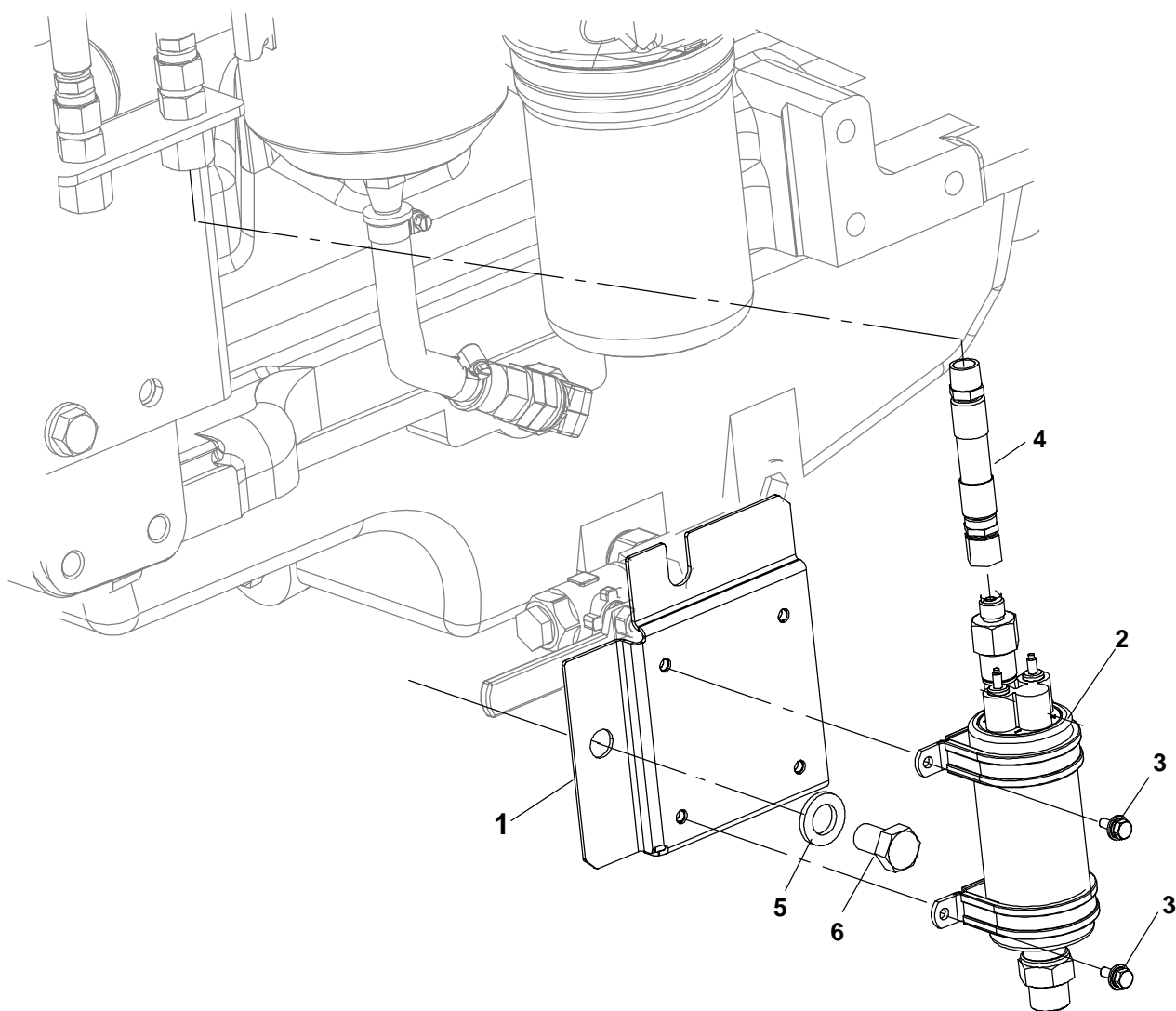
REF NO.	PART NO.	QTY USED	PART DESCRIPTION	REF NO.	PART NO.	QTY USED	PART DESCRIPTION
1	332-0941	1	Clamp, Tie	5	123-2243-03	1	Bracket, Crank Vent
2	503-2495	1	Hose, Fuel	6	526-0399-64	2	Washer, Flat (M12)
3	503-2494	1	Hose, Fuel	7	800-3017-52	2	Screw, Hex Head (M12 x 1.75 x 20mm)
4	505-1489	2	Connector, Fem Bulkhead				

Fuel Transfer Pump (Mechanical)



REF NO.	PART NO.	QTY USED	PART DESCRIPTION
1	149-2727	1	Pump, Fuel (Mechanical)
2	509-0401	1	Seal, Fuel Pump O'Ring

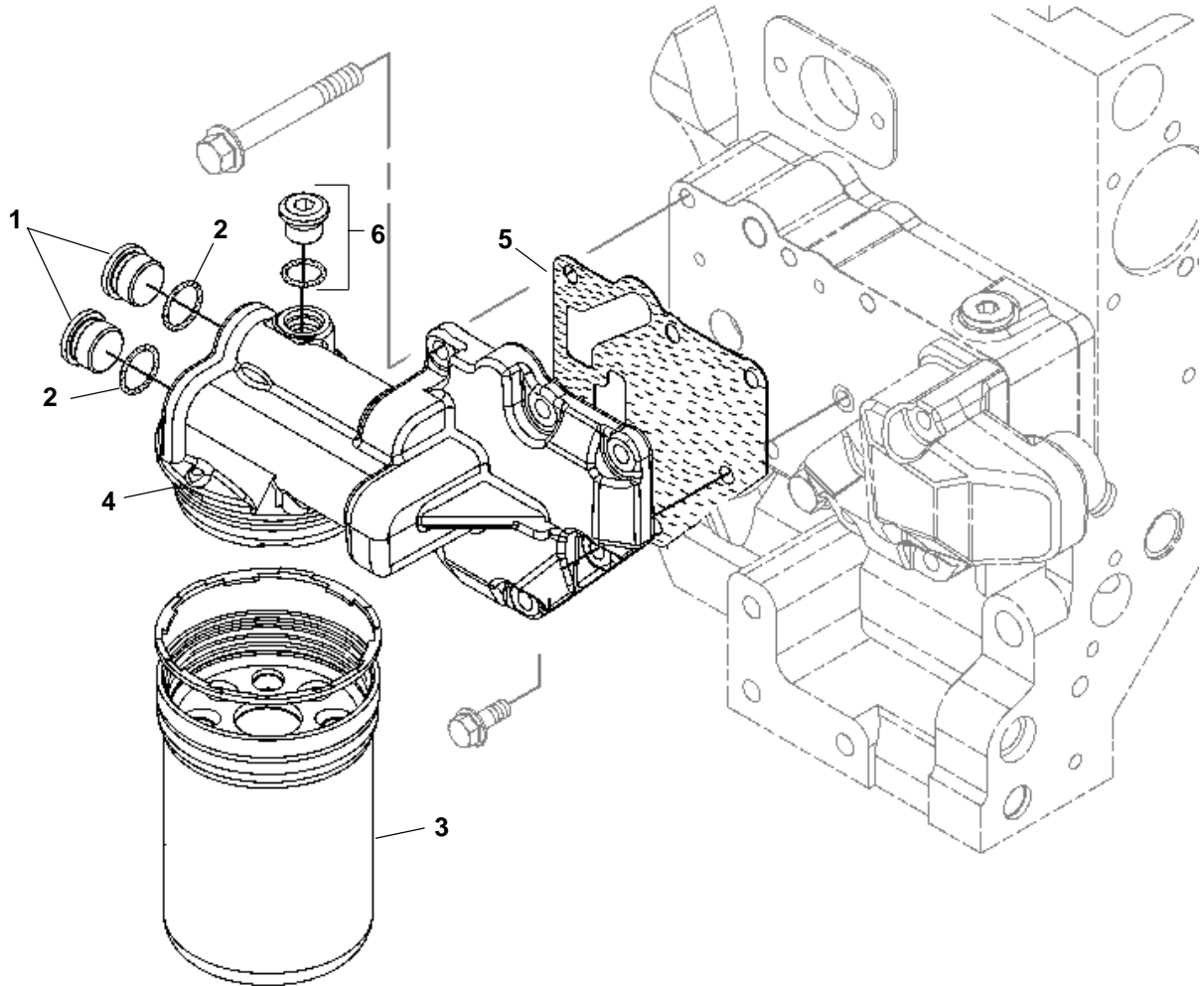
Fuel Transfer Pump (Electric)



REF NO.	PART NO.	QTY USED	PART DESCRIPTION	REF NO.	PART NO.	QTY USED	PART DESCRIPTION
			Kit, Fuel (Transfer Pump)				
	541-1158-01	1	12V	4	503-2534	1	*Hose, Fuel
	541-1158-02	1	24V	5	526-0399-64	1	*Washer, Flat (M12)
1	149-2735-03	1	*Bracket, Fuel	6	800-3017-52	1	*Screw, Hex Head Cap (M12 x 1.75 x 20mm)
2			*Pump, Fuel				
	149-2733-01	1	12V				
	149-2733-02	1	24V				
3	821-6001-01	4	*Screw, Hex Head Sems (M5 x .8 x 10mm)				

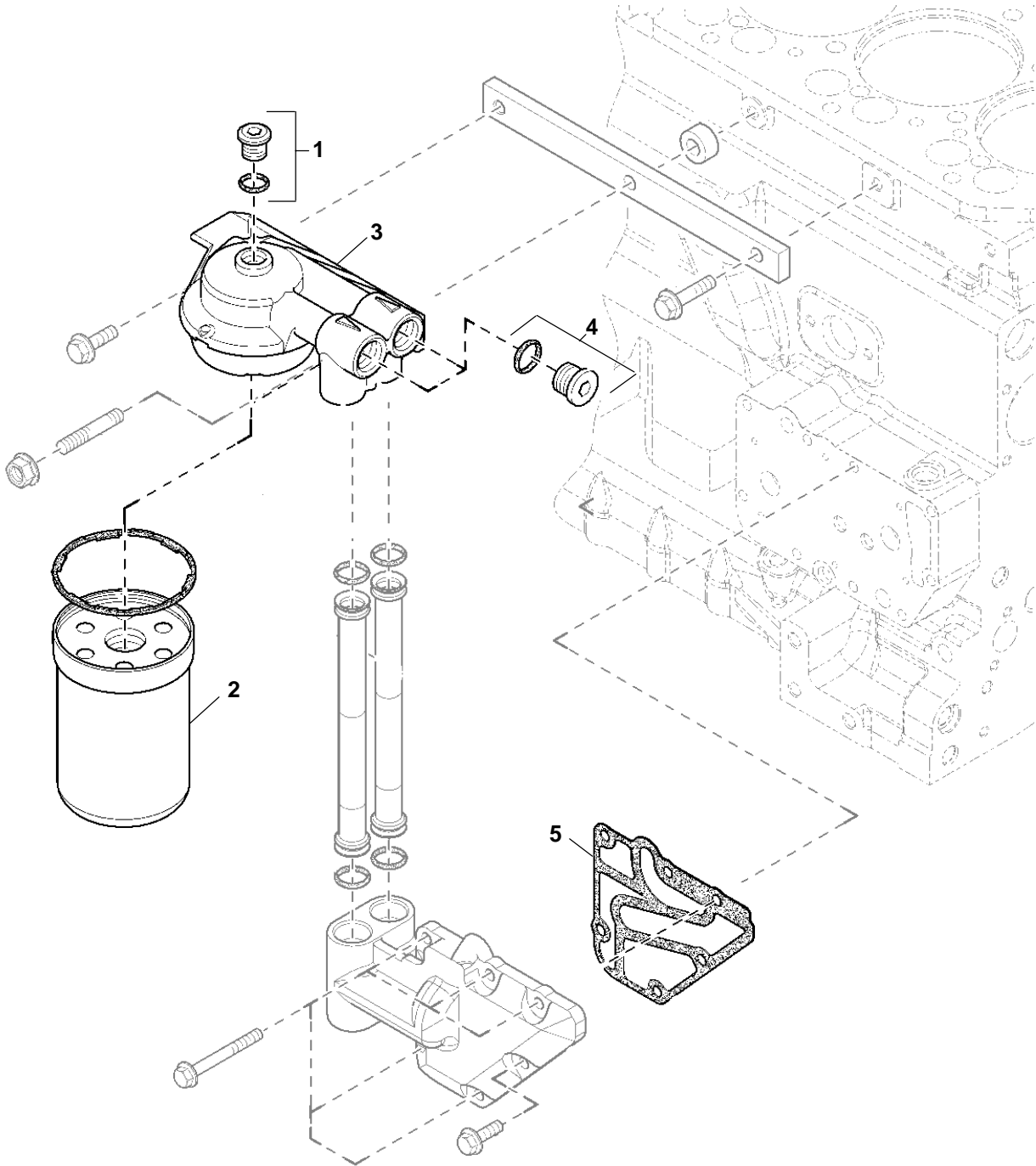
* - Parts included in Fuel Kit.

**Oil Filter
(MDDCA, MDDCB, MDDCC, MDDCF
and MDDCG)**



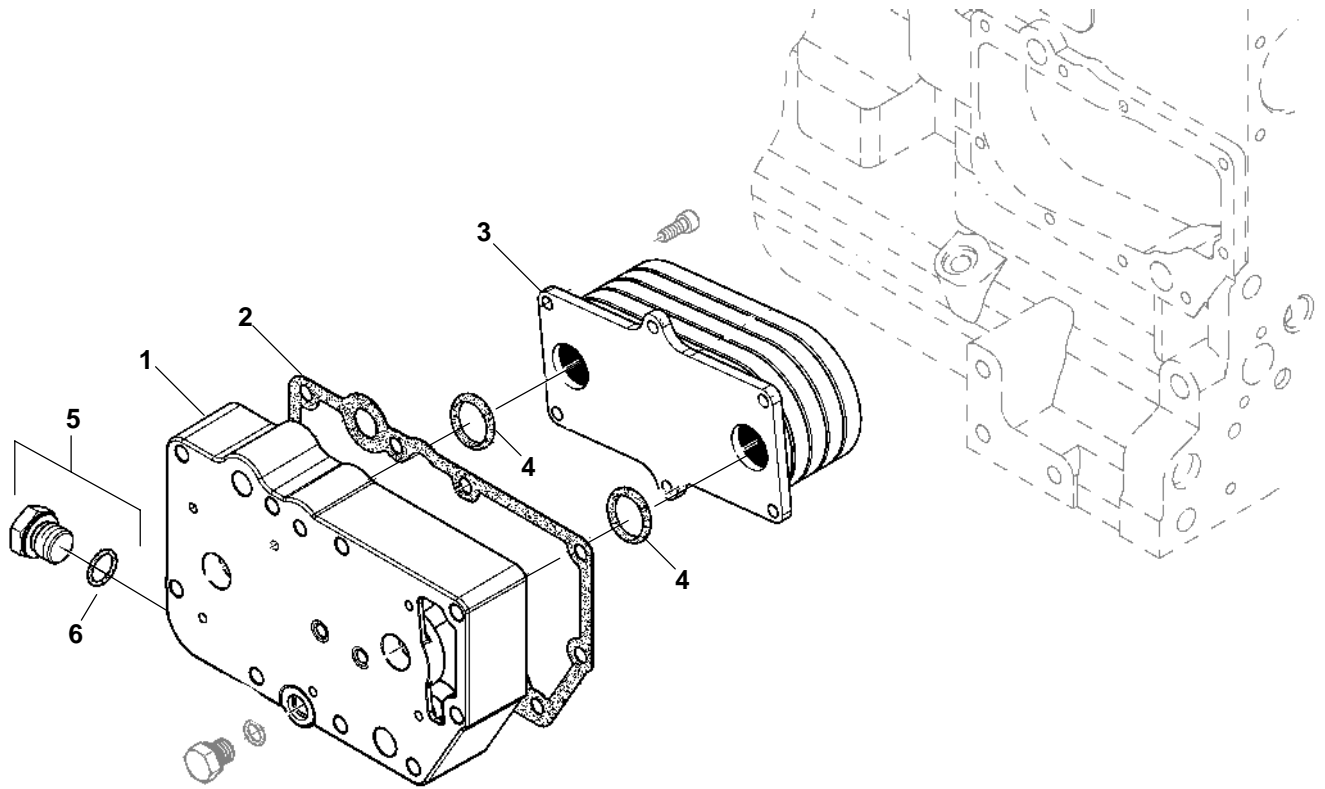
REF NO.	PART NO.	QTY USED	PART DESCRIPTION	REF NO.	PART NO.	QTY USED	PART DESCRIPTION
1	323-2183	1	Plug, with O'Ring	4	122-0888	1	Header, Oil Filter
2	509-0406	1	O'Ring	5	122-0889	1	Gasket, Oil Filter Adapter
3	122-0885	1	Filter, Oil	6	323-2186	1	Plug, Drain

**Oil Filter
(MDDCD, MDDCE, MDDCH and MDDCJ)**



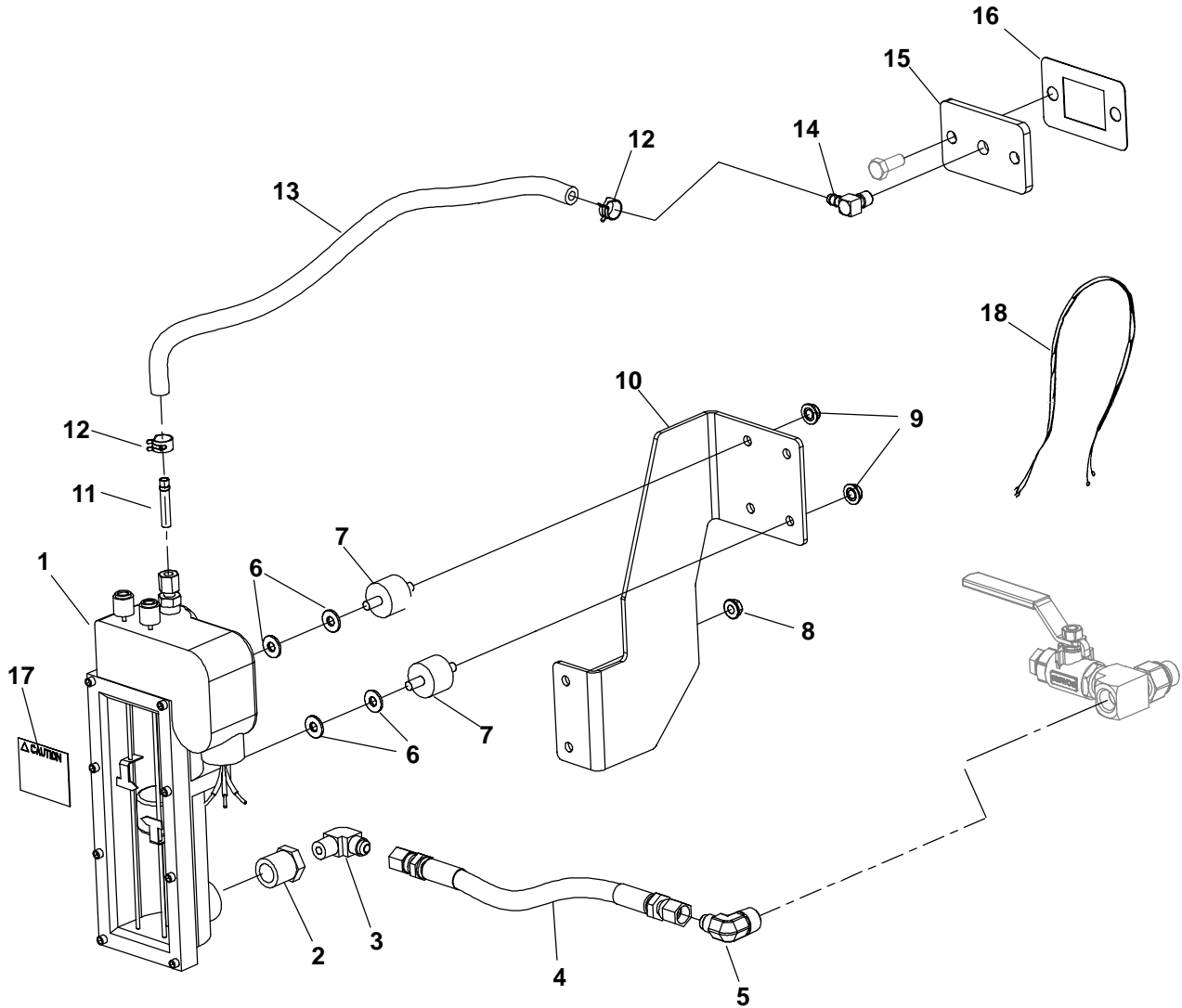
REF NO.	PART NO.	QTY USED	PART DESCRIPTION	REF NO.	PART NO.	QTY USED	PART DESCRIPTION
1	323-2186	1	Plug, with O'Ring	4	323-2185	1	Plug, Special (With O' Ring)
2	122-0885	1	Filter, Oil	5	122-0891	1	Gasket, Oil Filter Adapter
3	122-0890	1	Header, Oil Filter				

Oil Cooler



REF NO.	PART NO.	QTY USED	PART DESCRIPTION
1	102-1519	1	Housing, Oil Cooler
2	234-1031	1	Gasket, Oil Cooler Housing
3	102-1518	1	Cooler, Oil MDDCA, MDDCB, MDDCC MDDCF and MDCG
	102-1522	1	MDDCD, MDDCE, MDDCH and MDCJ
4	509-0405	2	O'Ring, Packing
5	323-2182	1	Plug
6	509-0402	1	O' Ring

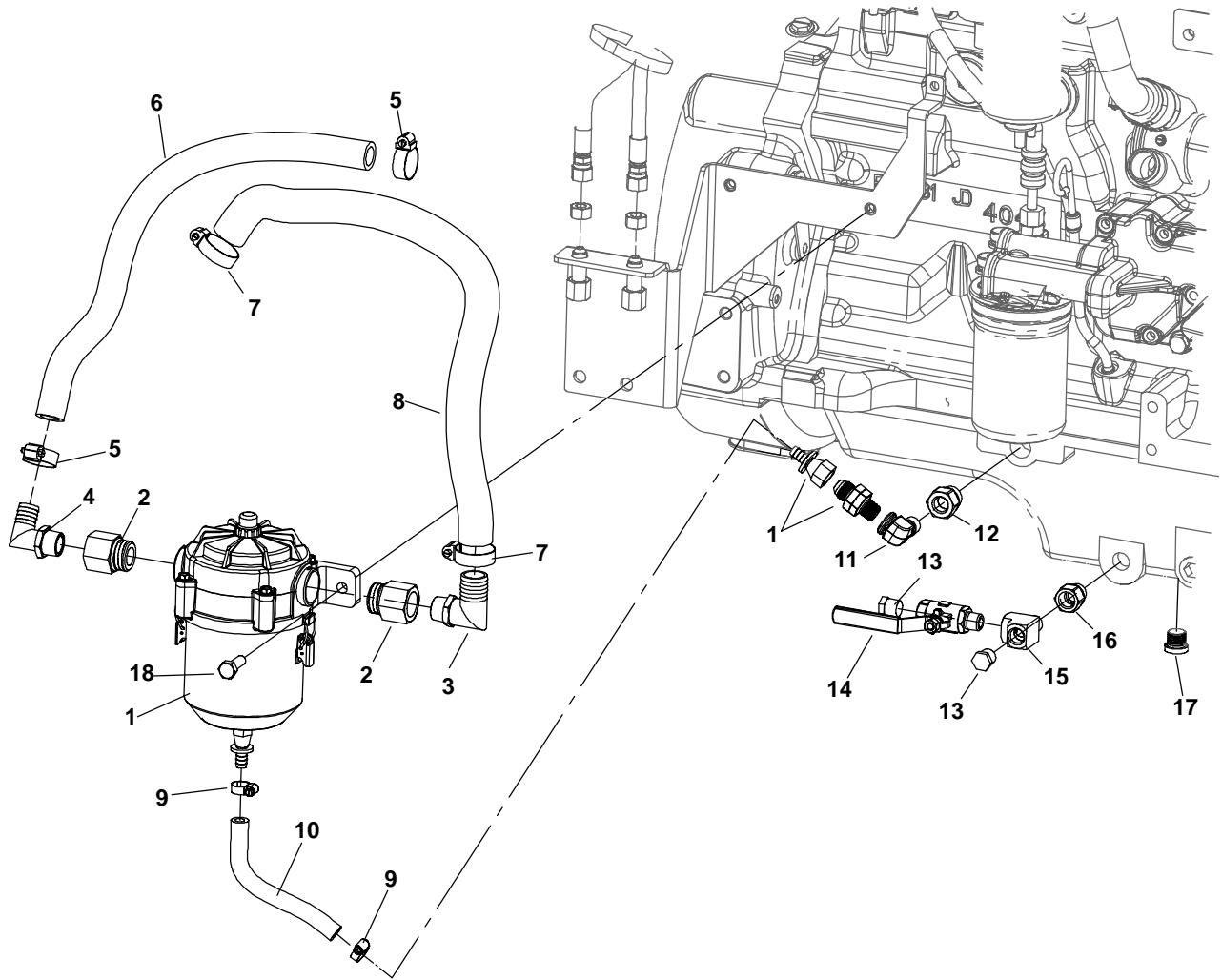
Oil Level



REF NO.	PART NO.	QTY USED	PART DESCRIPTION	REF NO.	PART NO.	QTY USED	PART DESCRIPTION
	123-2252	1	Kit, Indicator Oil Level	13			Hose, Oil (Bulk)
1	309-0619	1	Switch, Oil Level		503-1418	1	1.2' (MDDCA, MDDCB, MDDCC, MDDCF and MDCG)
2	502-0029-04	1	Bushing		503-1418	1	.9' (MDDCD, MDDCE, MDDCH and MDCJ)
3	502-1043-03	1	Elbow, Male (Adaptor)	14	502-0313	1	Elbow, 90°
4	503-2496	1	Hose, Oil	15	403-5448-03	1	Plate, Engine
5	505-2219	1	Elbow, Pipe (Adaptor)	16	123-2249	1	Gasket, Oil Fill
6	526-0018	8	Washer, Flat (1/4")	17	98-6398	1	Label, Caution
7	402-0610	2	Isolator, Vibration	18	338-4574	1	Harness, Switch
8	870-2054	2	Nut, locking Flanged (M6)				
9	870-0212	4	Nut, Hex Head Whiz Lock (1/4-20)				
10	193-0557-02	1	Bracket, Gauge				
11	123-2250	1	Tube, Vent				
12	503-0731	2	Clamp, Hose				

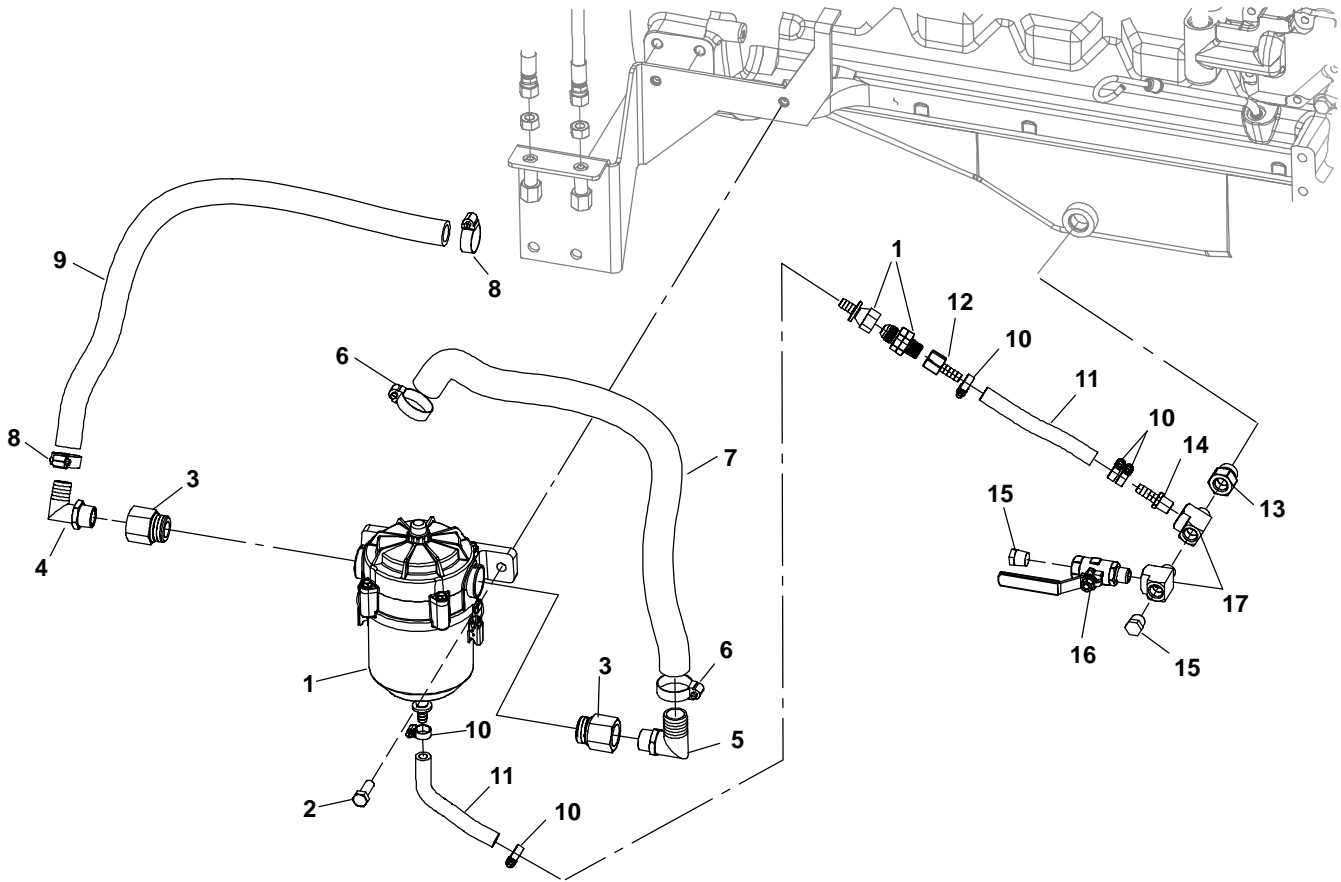
* - All parts included in kit.

Crankcase Vent (MDDCA, MDDCB, MDDCC, MDDCF and MDDCG)



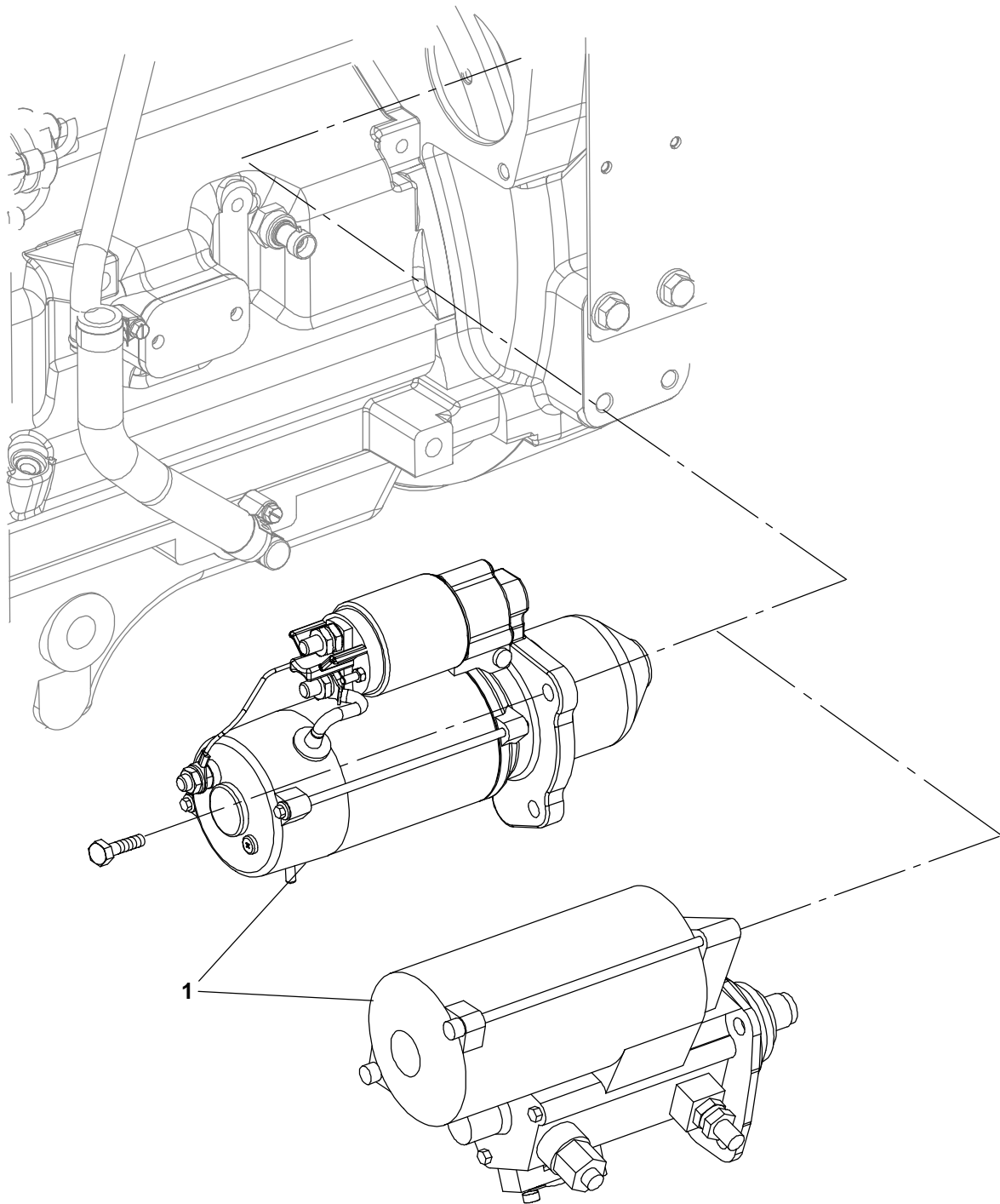
REF NO.	PART NO.	QTY USED	PART DESCRIPTION	REF NO.	PART NO.	QTY USED	PART DESCRIPTION
1	123-2246	1	Assy Vent, Crankcase	10	503-2504-02	1	Hose, Fuel
2	505-2220	2	Adapter, Pipe	11	505-2218	1	Elbow, Pipe
3	502-1498	1	Elbow, Tube (3/4-NPT x 1"Hose)	12	505-2223	1	Adapter, Pipe
4	502-1499	1	Elbow, Tube (3/4-NPT x 3/4"Hose)	13	502-0775	2	Plug, Pipe Hex Head (3/8NPT)
5	503-1136	2	Screw, Hose Clap	14	504-0200	1	Valve, Ball
6	503-2433-05	1	Hose, Breather (3/4"ID)	15	502-0401	1	Tee, Street
7	503-1137	2	Screw, Hose Clap	16	505-2226	1	Adapter, Pipe
8	123-2120	1	Hose, Oil Filler (1"ID)	17	505-2215	1	Plug, Pipe
9	503-2309	2	Clamp, Hose	18	800-3017-38	2	Screw, Hex Head Cap (M10 x 1.50 x 30mm)

Crankcase Vent (MDDCD, MDDCE, MDDCH and MDDCJ)



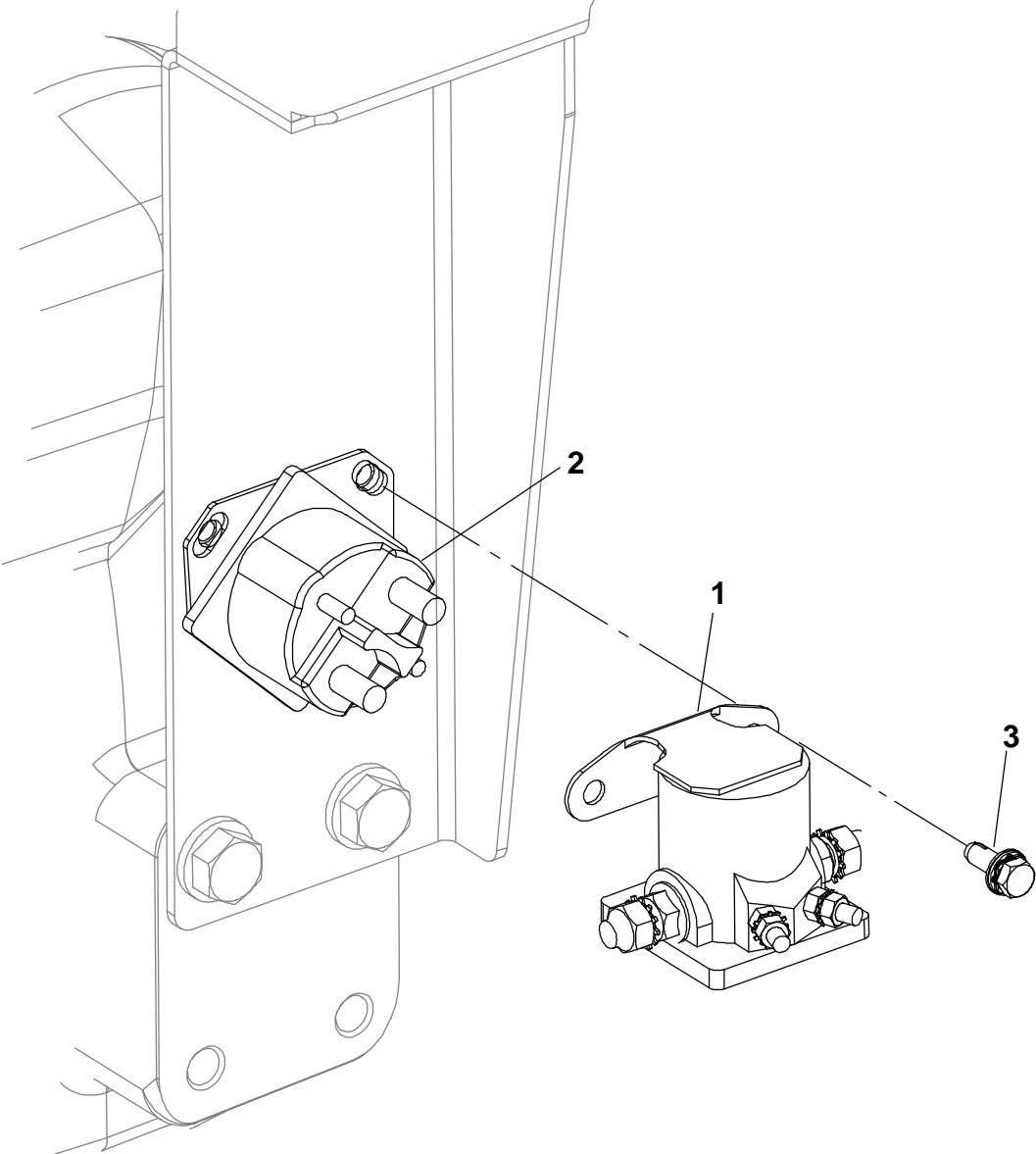
REF NO.	PART NO.	QTY USED	PART DESCRIPTION	REF NO.	PART NO.	QTY USED	PART DESCRIPTION
1	123-2246	1	Assy Vent, Crankcase	9	503-2433-04	1	Hose, Breather (3/4" ID)
2	800-3017-38	2	Screw, Hex Head Cap (M10 x 1.5 x 30mm)	10	503-2309	5	Clamp, Hose
3	505-2220	2	Adapter, Pipe	11	503-2504-01	2	Hose, Fuel
4	502-1499	1	Elbow, Tube (3/4NPT x 3/4 Hose)	12	502-1502	1	Connector, Hose
5	502-1498	1	Elbow, Tube (3/4NPT x 1 Hose)	13	505-2223	1	Adapter, Pipe
6	503-1137	2	Screw, Hose Clamp	14	502-1367-04	1	Connector, Hose (3/4NPT x 3/8Hose)
7	123-2120	1	Hose, Oil Fill (1"OD)	15	502-0775	2	Plug, Pipe Hex Head (3/8 NPT)
8	503-1136	2	Screw, Hose Clamp	16	504-0200	1	Valve, Ball
				17	502-0401	2	Tee, Street

Starter



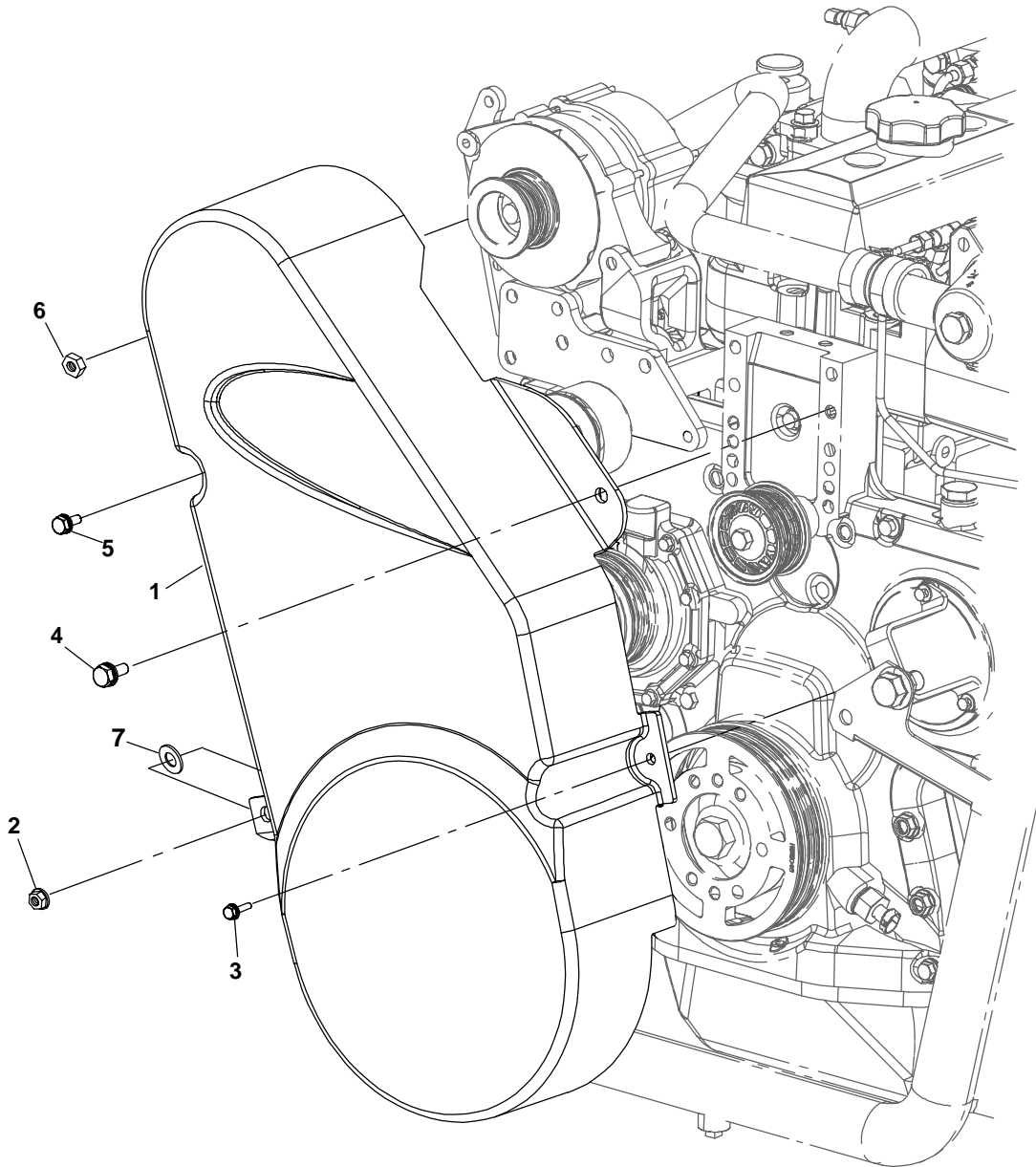
REF NO.	PART NO.	QTY USED	PART DESCRIPTION
1			Motor, Starter
	191-2354	1	24V Iso Gnd
	191-2363	1	12V Iso Gnd
	191-2360	1	24V Neg Gnd
	191-2359	1	12V Neg Gnd

Starter Solenoid



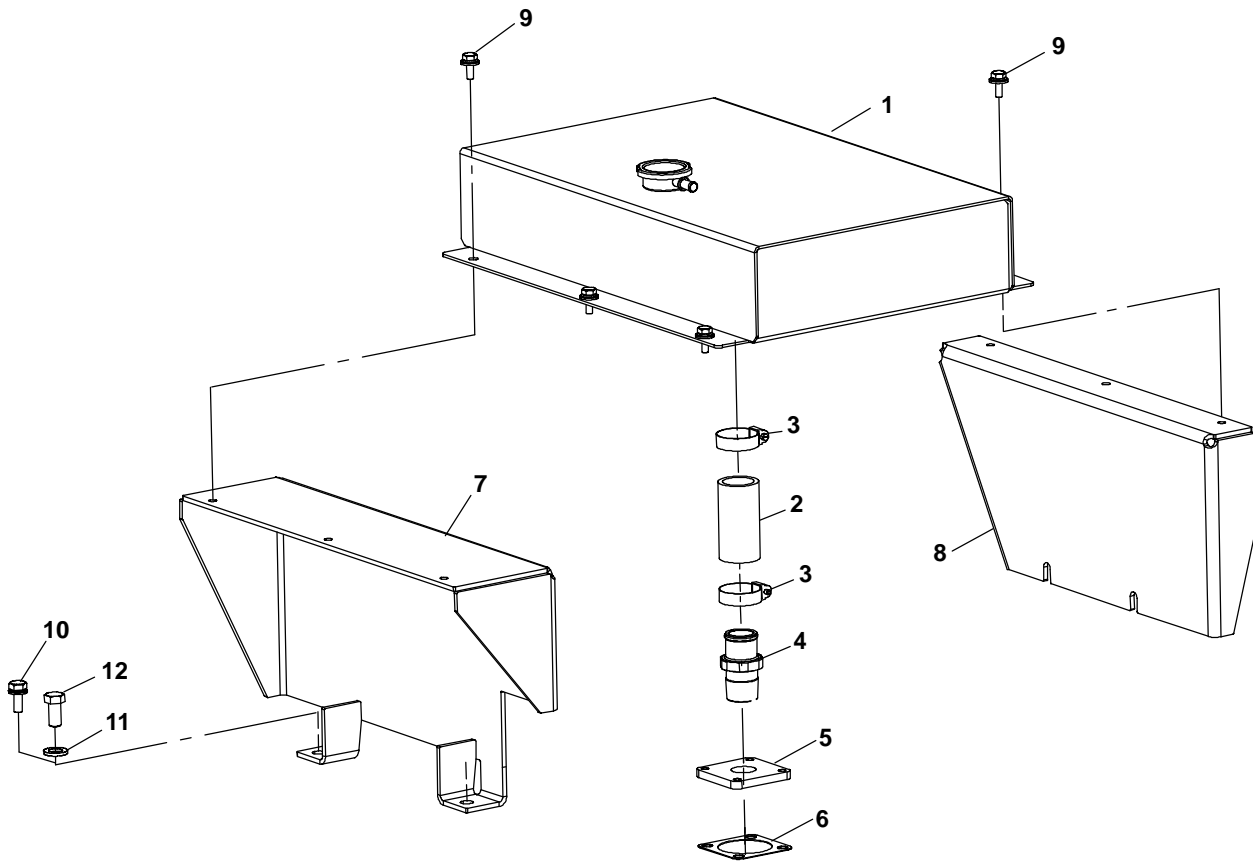
REF NO.	PART NO.	QTY USED	PART DESCRIPTION	REF NO.	PART NO.	QTY USED	PART DESCRIPTION
1	307-1617	1	Relay, Starter Solenoid (12V)	3	821-6006-01	2	Screw, Hex Head Sems Stainless (M6 x 1 x 16mm)
2	307-2656	1	Relay, Starter Solenoid (24V)				

Belt Guard



REF NO.	PART NO.	QTY USED	PART DESCRIPTION	REF NO.	PART NO.	QTY USED	PART DESCRIPTION
	541-1128-01	1	Kit, Belt Guard Without PTO (Parts Included Marked*)	3	821-6002-04	1	*+Screw, Hex Head Sems (M6 x 1 x 20mm)
	541-1128-02	1	Kit, Belt Guard With PTO (Parts Included Marked+)	4	821-6004-01	1	*+Screw, Hex Head Sems (M10 x 1.5 x 20mm)
1			Guard, Belt	5	821-2097-06	1	Screw, Hex Head Sems (M10 x 1.5 x 40mm)
	130-6119-01	1	* Without PTO	6	862-0026-56	1	*+Nut, Hex (M10 x 1.5mm)
	130-6119-02	1	+ With PTO	7	526-0399-60	1	*+Washer, Flat (M10)
2	870-2065-03	1	*+Nut, Hex Flange (M8 x 1.25mm)				

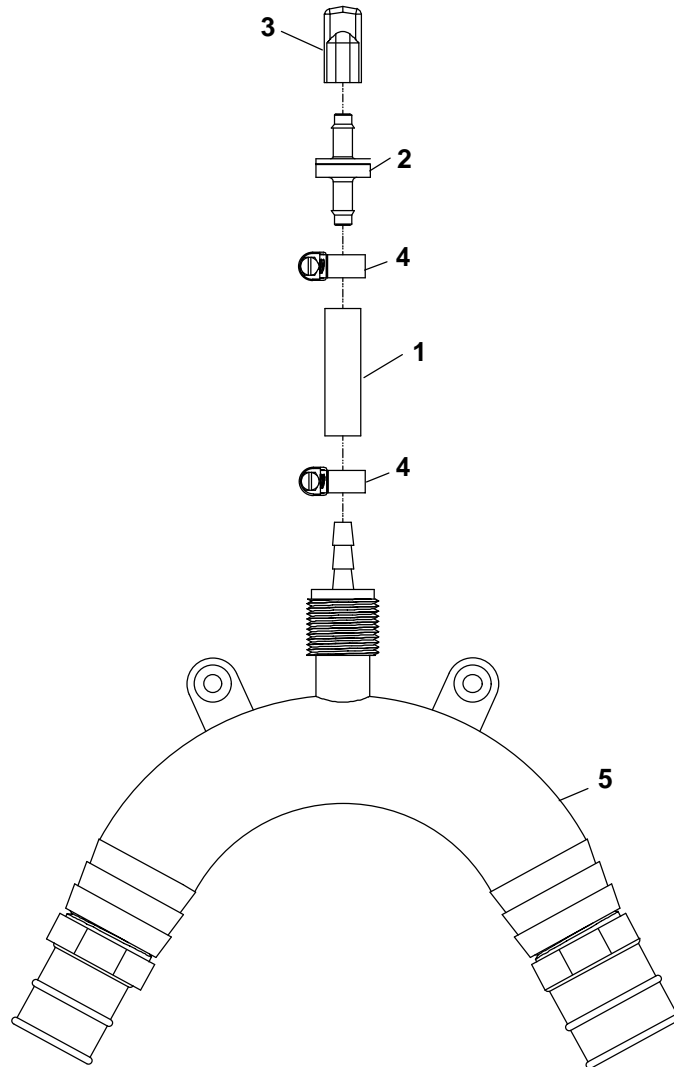
Expansion Tank



REF NO.	PART NO.	QTY USED	PART DESCRIPTION	REF NO.	PART NO.	QTY USED	PART DESCRIPTION
	541-1124	1	Kit, Expansion Tank	9	821-6003-01	6	Screw, Hex Head Sems (M8 x 1.25 x 16mm)
1	130-6209-03	1	Tank, Expansion	10	821-6004-01	3	Screw, Hex Head Sems (M10 x 1.5 x 20mm)
2	503-2511-03	1	Hose, Coolant	11	526-0399-64	2	Washer, Flat (M12)
3	503-1138	2	Clamp, Hose	12	800-3017-53	2	Screw, Hex Head Cap (M12 x 1.75 x 25mm)
4	505-2232	1	Adapter, Pipe				
5	154-3184	1	Flange, Manifold				
6	154-3183	1	Gasket, Manifold				
7	130-6210-03	1	Bracket, Expansion Tank				
8	130-6215-03	1	Bracket, Expansion Tank				

* - All parts included in kit.

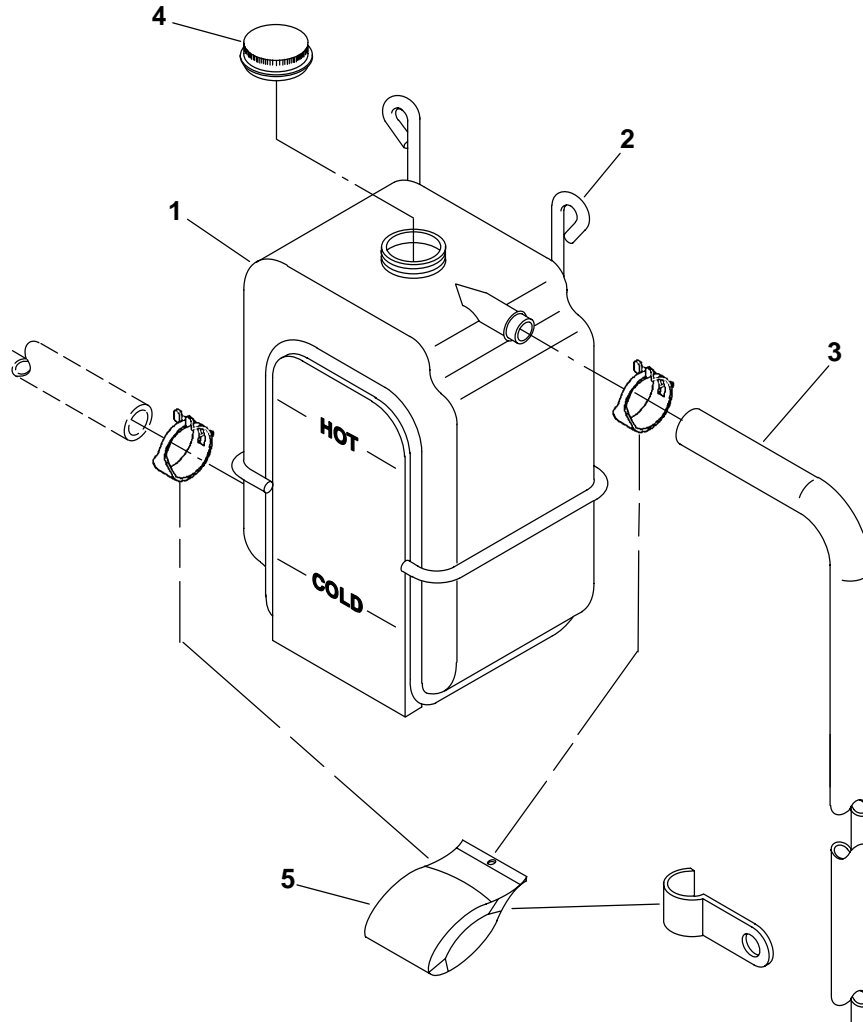
Siphon



REF NO.	PART NO.	QTY USED	PART DESCRIPTION	REF NO.	PART NO.	QTY USED	PART DESCRIPTION
	541-1152	1	Kit, Siphon Break	6	503-1140	2	Clamp, Hose
1	503-2352	1	Hose, Coolant	7	508-1203	1	Grommet, Boot
2	504-0223	1	Valve, Check				
3	502-1425-02	1	Cap, Tube				
4	503-2309	2	Clamp, Hose				
5	502-1516-01	1	Connector, Hose				

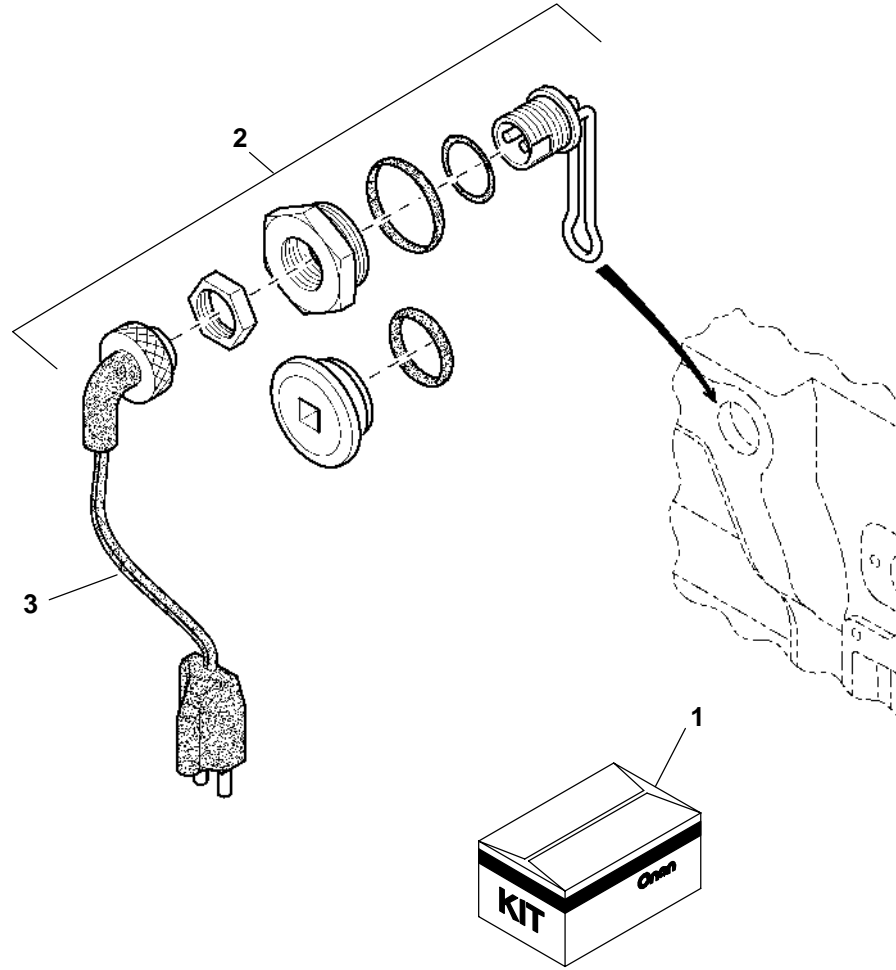
* - All parts included in kit. Items 6 and 7 not shown shipped separately.

Coolant Recovery



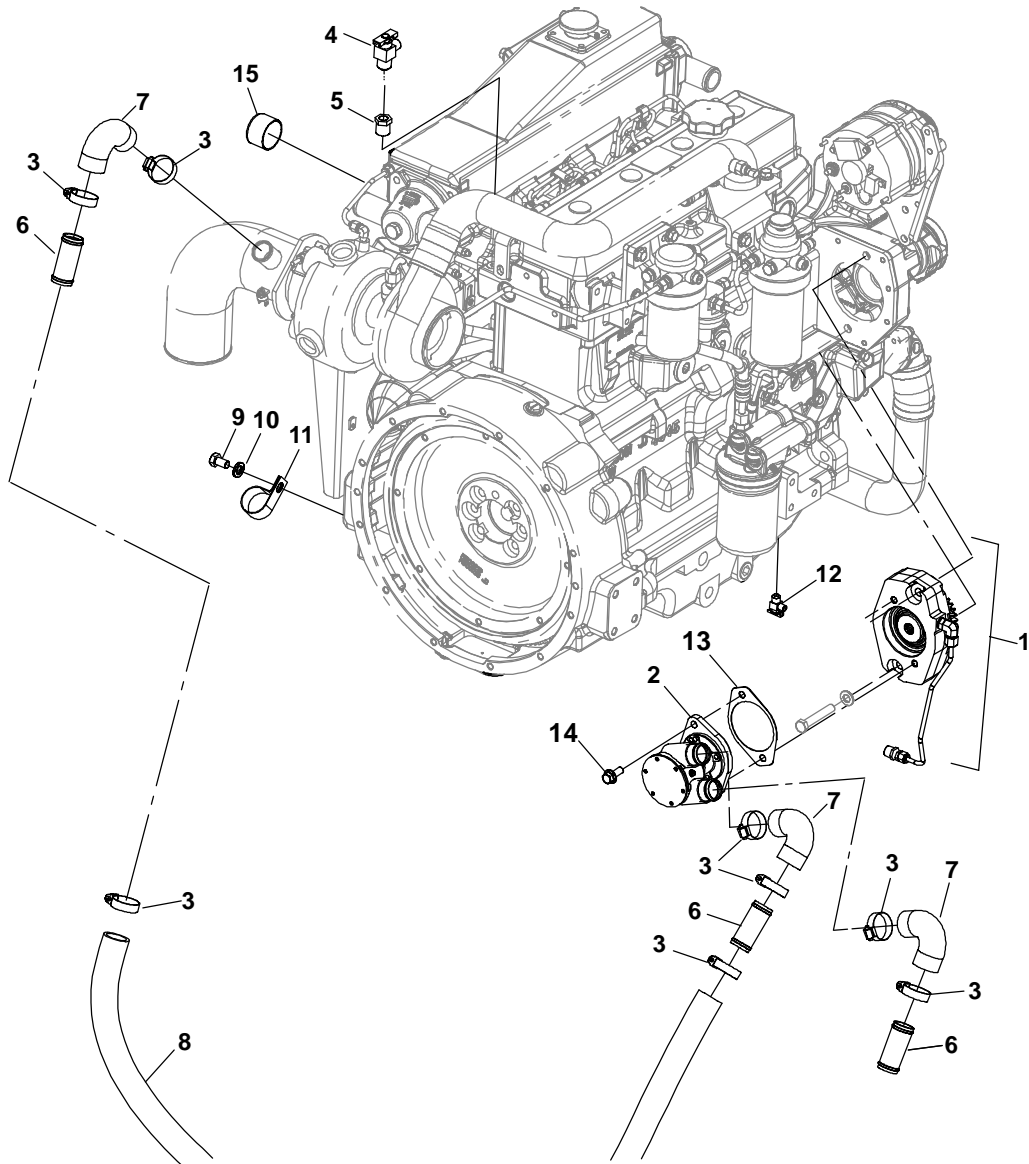
REF NO.	PART NO.	QTY USED	PART DESCRIPTION	REF NO.	PART NO.	QTY USED	PART DESCRIPTION
	130-3574	1	Kit, Coolant Recovery	4	130-3572	1	Cap, Tank
1	130-3570	1	Tank, Coolant Recovery	5	130-3573	1	Hardware Package (Includes Mounting Hardware)
2	130-3571	1	Hanger, Tank				
3	503-1692	1	Hose (5/16 I.D. x 120" Lg.)				

Engine Coolant Heater



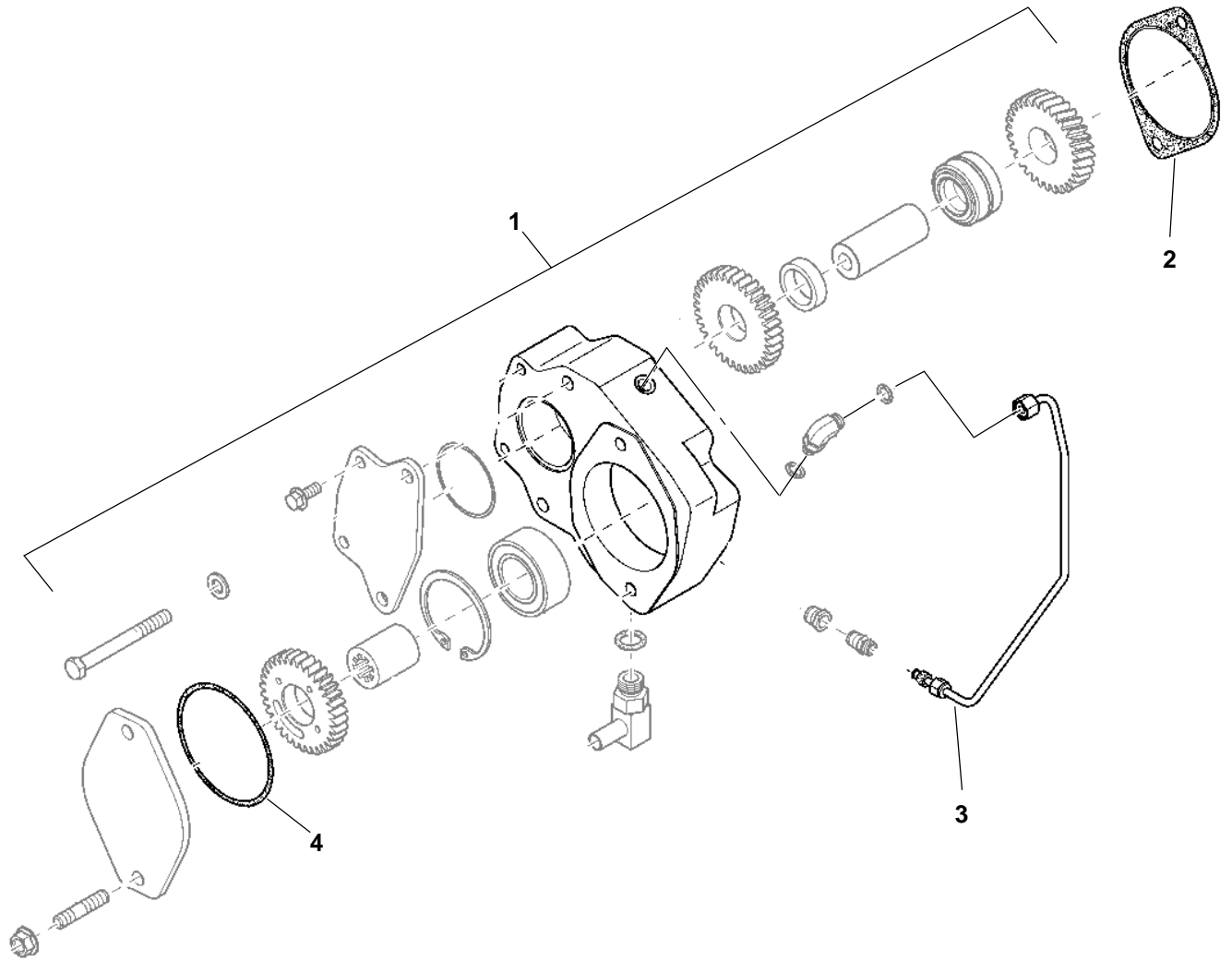
REF NO.	PART NO.	QTY USED	PART DESCRIPTION	REF NO.	PART NO.	QTY USED	PART DESCRIPTION
1			Kit, Heater – Engine Coolant	3			Harness, Power
	333-0702-01	1	120 Volt		335-0240	1	* 120 Volt
	333-0702-02	1	240 Volt		335-0241	1	# 240 Volt
2			Heater, Engine Coolant (1000W)				
	333-0704-02	1	* 110 Volt (Includes Parts Marked *)				* Parts Included in 333-0702-01 Engine Coolant Heater Kit?
	333-0704-01	1	# 220 Volt (Includes Parts Marked #)				# Parts Included in 333-0702-02 Engine Coolant Heater Kit?

Keel Cooling (Wet Exhaust)



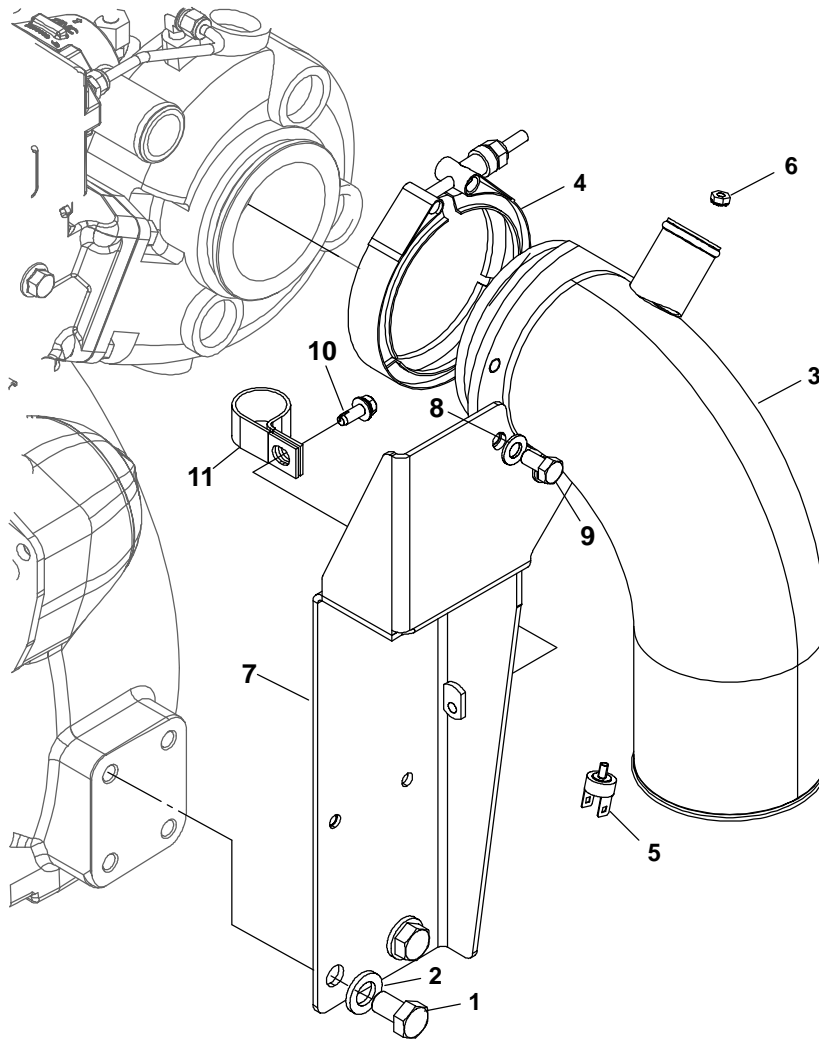
REF NO.	PART NO.	QTY USED	PART DESCRIPTION	REF NO.	PART NO.	QTY USED	PART DESCRIPTION
	132-0436	1	Kit, Seawater Pump Impeller Repair	9	800-3017-52	2	Screw, Hex Head Cap (M12 x 1.75 x 20mm)
	132-0437	1	Kit, Seawater Pump Major Repair	10	526-0399-64	2	Washer, Flat (M12)
1	-	1	Adapter, Water Pump (See Aux Drive)	11	518-0548-43	1	Clamp, Hose
2	132-0435	4	Pump, Water	12	504-0017	1	Cock, Drain (1/4"NPT x 3/8"Hose)
3	503-1138	8	Clamp, Hose	13	132-0434	1	Gasket
4	504-0017	2	Cock, Drain (Wet and Dry) (1/4NPT x 1/8"NPT)	14	800-6324	2	Screw, Flanged Metric (M10 x 25mm)
5	502-0029-04	1	Bushing, Pipe (Wet and Dry) (1/2"NPT x x 1/4"NPT)	15	517-0369	2	Plug, Cap
6	130-6145-01	3	Tube, Water				
7	503-2498	3	Hose, Coolant				
8			Hose, Coolant				
	503-2511-01	1	MDDCA, MDDCB, MDDCC MDDCF and MDCG				
	503-2511-02	1	MDDCD, MDDCE, MDDCH and MDCJ				

Aux Drive



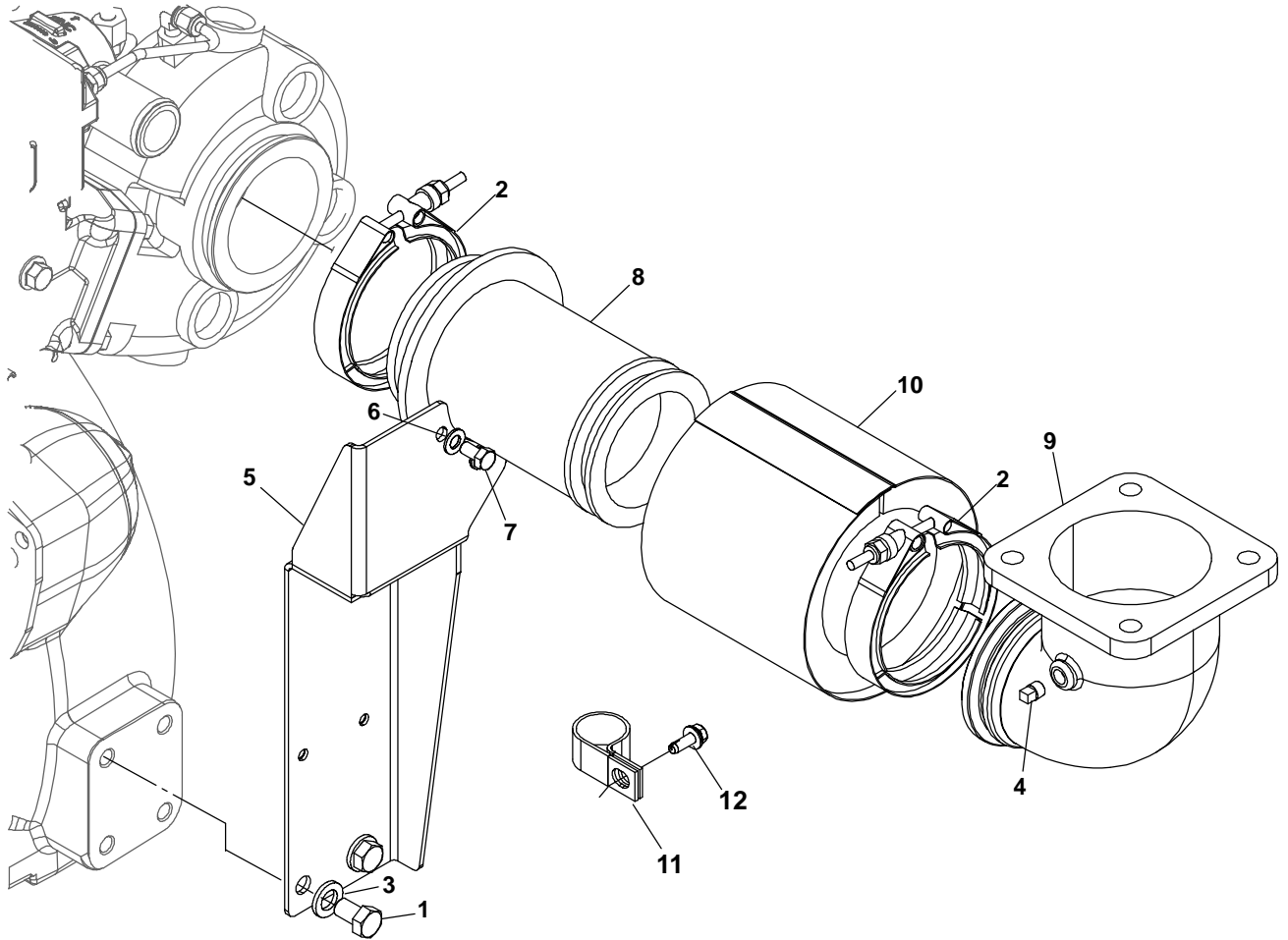
REF NO.	PART NO.	QTY USED	PART DESCRIPTION
1	132-0433	1	Adapter, Water Pump
2	132-0440	1	Gasket
3	501-0856	1	Line, Oil
4	509-0403	1	Packing, O'Ring

Wet Exhaust



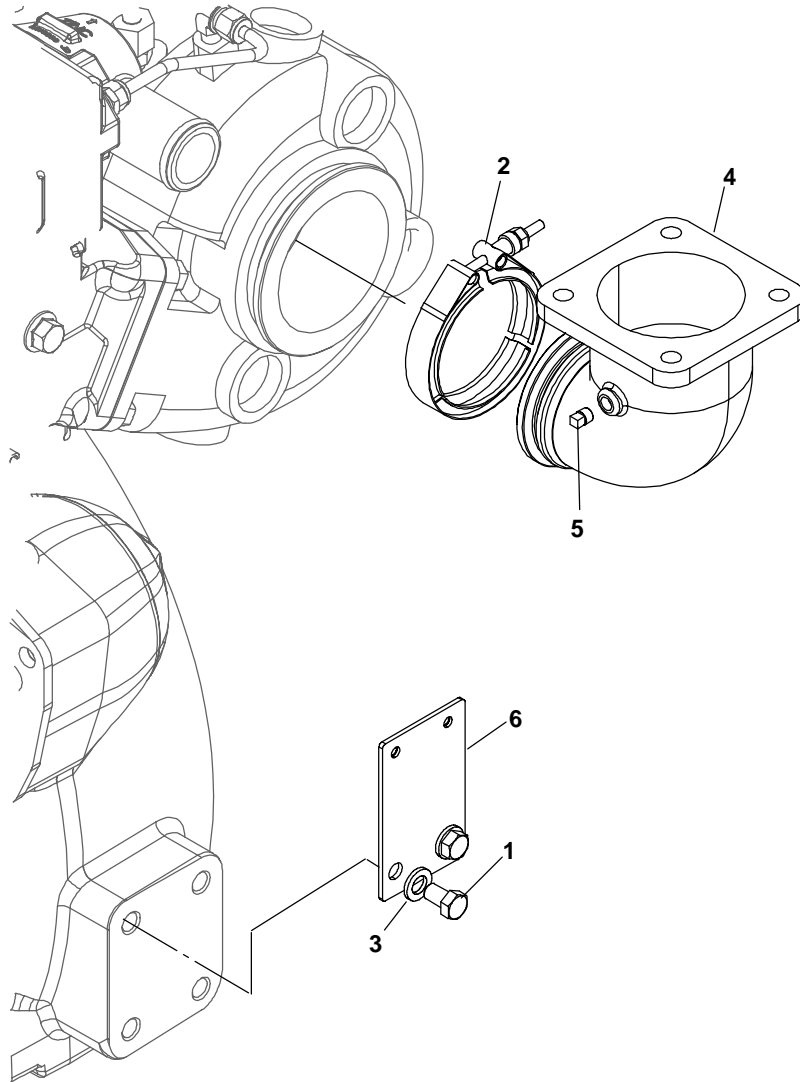
REF NO.	PART NO.	QTY USED	PART DESCRIPTION	REF NO.	PART NO.	QTY USED	PART DESCRIPTION
	541-1134	1	Kit, Muffler (Water Lift)	6	870-0221	1	Nut, Hex (8-32)
	541-1136	1	Kit, Muffler (Water Separator)	7	155-4245-01	1	Bracket, Exhaust
	541-1137	1	Kit, Hose (Wet Exhaust)	8	526-0399-60	2	Washer, Flat (M8)
1	800-3017-52	2	Screw, Hex Head Cap (M12 x 1.75 x 20mm)	9	800-3017-18	2	Screw, Hex Head Cap (M8 x 1.25 x 16mm)
2	526-0399-64	2	Washer, Flat (M12)	10	821-6006-01	1	Screw, Hex Head Sems Stainless (M6 x 1 x 16mm)
3	155-4186-01	1	Elbow, Exhaust (Mixer) with Sound Shield	11	518-0548-29	1	Clamp, Hose
	155-4186-02	1	Elbow, Exhaust (Mixer) without Sound Shield				
4	155-4263	1	Clamp, Exhaust				
5			Switch, Hi Exhaust Temperature				
	309-0597-02	1	MDDCA, MDDCB, MDDCC MDDCF and MDCG (Green)				
	309-0597-03	1	MDDCD, MDDCE, MDDCH and MDDCJ (Blue)				

Dry Exhaust (With Sound Shield)



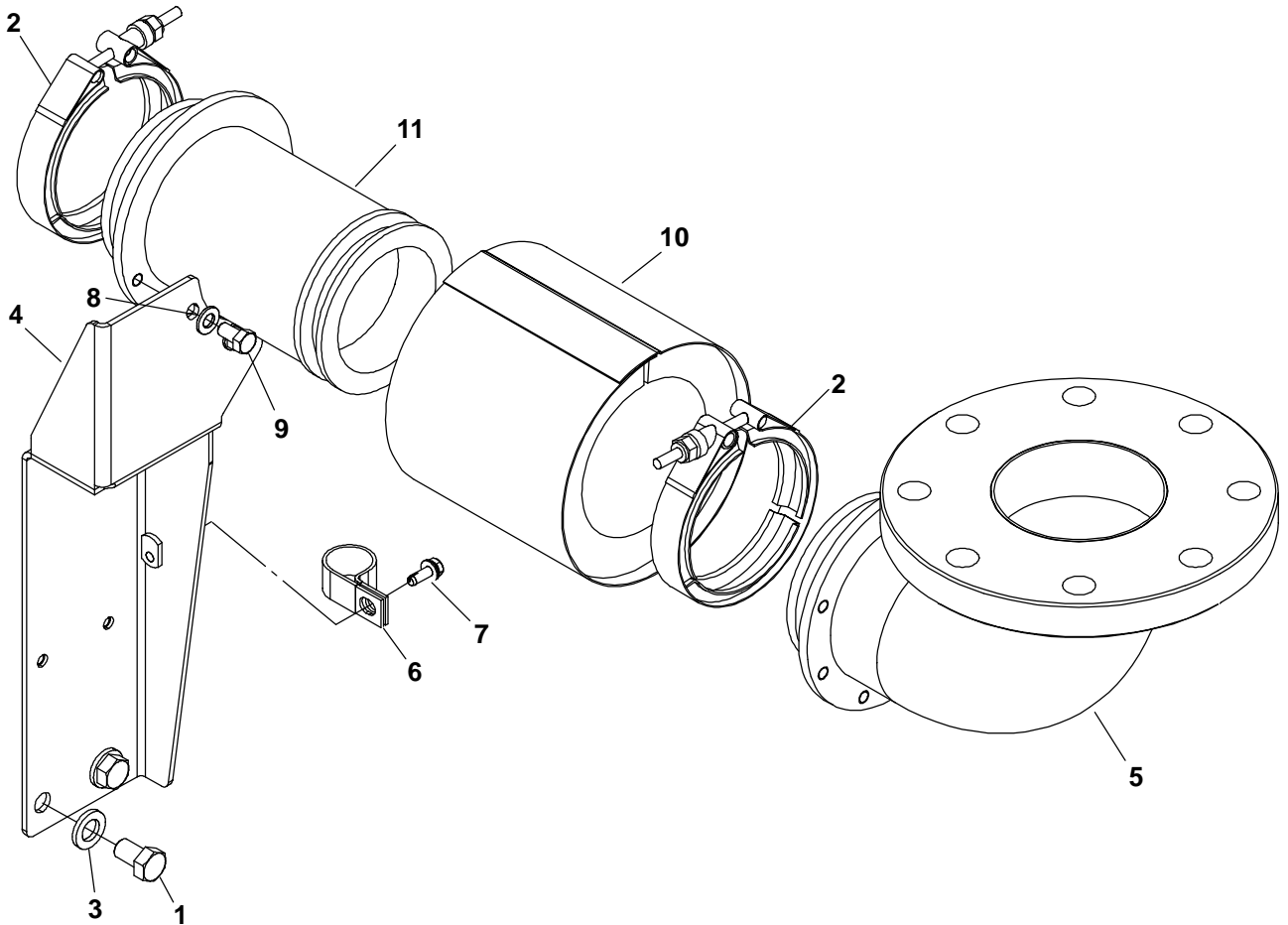
REF NO.	PART NO.	QTY USED	PART DESCRIPTION	REF NO.	PART NO.	QTY USED	PART DESCRIPTION
1	800-3017-52	2	Screw, Hex Head Cap (M12 x 1.75 x 20mm)	8	155-4222	1	Pipe, Exhaust
2	155-4263	2	Clamp, Exhaust	9	155-4266	1	Elbow, Exhaust
3	526-0399-64	2	Washer, Flat (M12)	10	155-4283	1	Insulation, Exhaust
4	505-0057	1	Plug, Square Head	11	518-0548-29	1	Clamp, Hose
5	155-4245-01	1	Bracket, Exhaust	12	821-6006-01	1	Screw, Hex Head Stainless (M6 x 1 x 16mm)
6	526-0399-60	2	Washer, Flat				
7	800-3017-18	2	Screw, Hex Head Cap (M8 x 1.25 x 16mm)				

Dry Exhaust (Without Sound Shield)



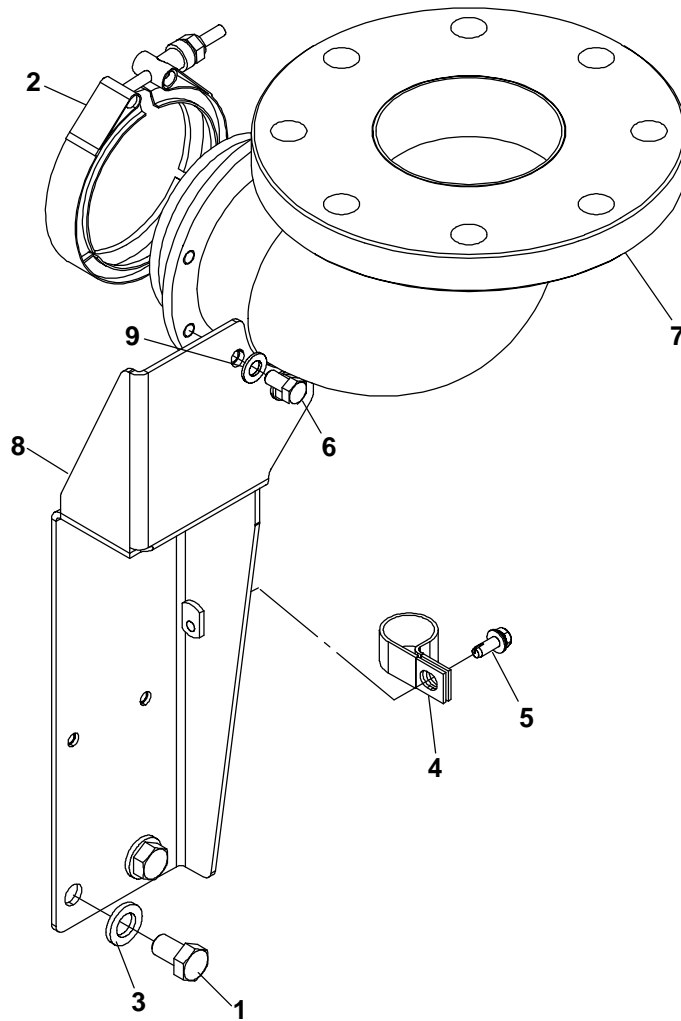
REF NO.	PART NO.	QTY USED	PART DESCRIPTION	REF NO.	PART NO.	QTY USED	PART DESCRIPTION
1	800-3017-52	2	Screw, Hex Head Cap (M12 x 1.75 x 20mm)	4	155-4266	1	Elbow, Exhaust
2	155-4263	1	Clamp, Exhaust	5	505-0057	1	Plug, Square (1/8")
3	526-0399-64	2	Washer, Flat (M12)	6	403-5420-03	1	Bracket, Engine

Dry Exhaust (With Sound Shield)



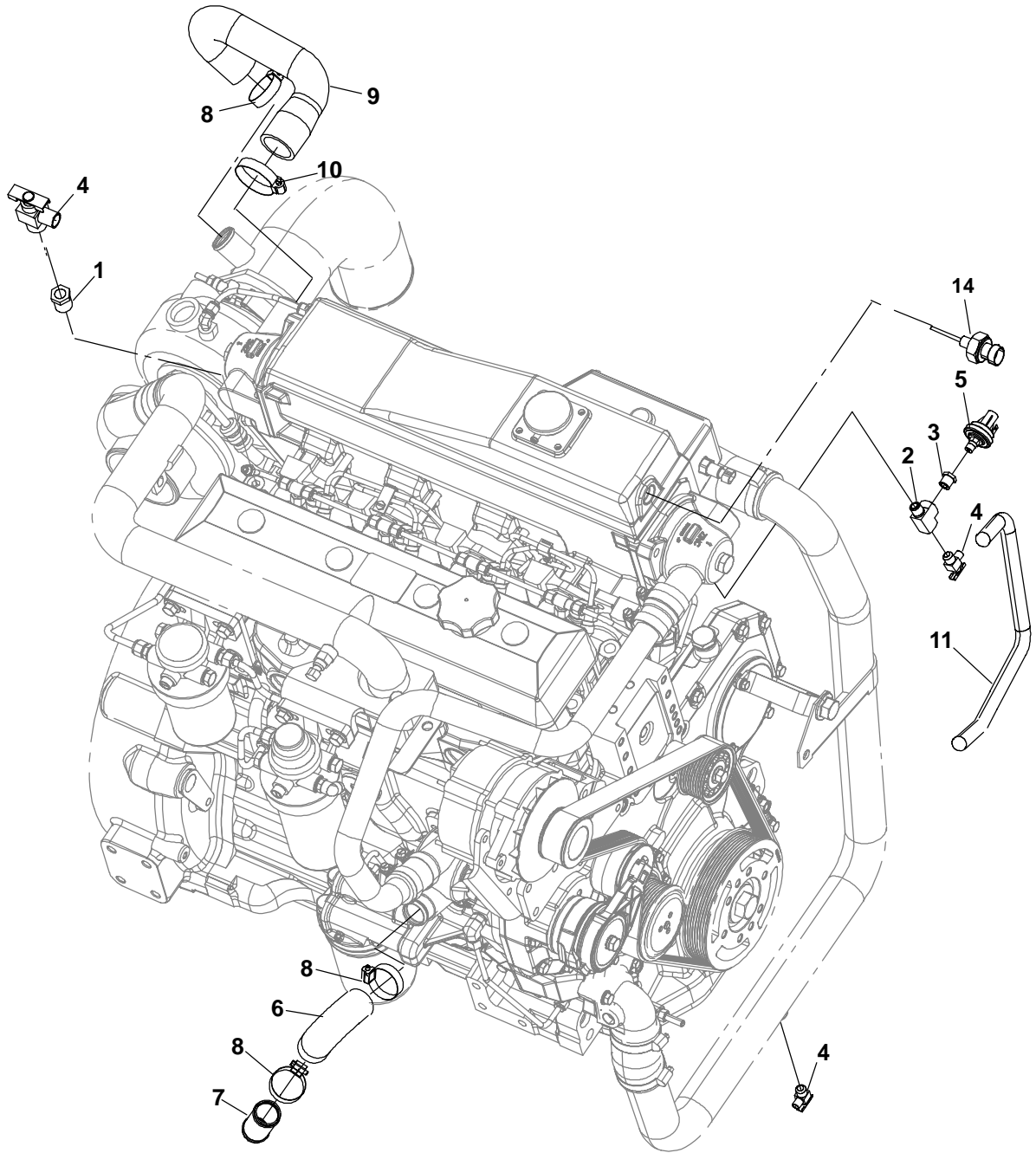
REF NO.	PART NO.	QTY USED	PART DESCRIPTION	REF NO.	PART NO.	QTY USED	PART DESCRIPTION
1	800-3017-52	2	Screw, Hex Head Cap (M12 x 1.75 x 20mm)	8	526-0399-60	2	Washer, Flat (M8)
2	155-4263	2	Clamp, Exhaust	9	800-3017-18	2	Screw, Hex Head (M8 x 1.25 x 16mm)
3	526-0399-64	2	Washer, Flat (M12)	10	155-4283	1	Insulation, Exhaust
4	155-4245-01	1	Bracket, Exhaust	11	155-4222	1	Pipe, Exhaust (Mixer)
5	155-4299	1	Elbow, Exhaust				
6	518-0548-29	1	Clamp, Hose				
7	821-6006-01	1	Screw, Hex Head Stainless (M6 x 1.0 x 16mm)				

Dry Exhaust (Without Sound Shield)



REF NO.	PART NO.	QTY USED	PART DESCRIPTION	REF NO.	PART NO.	QTY USED	PART DESCRIPTION
1	800-3017-52	2	Screw, Hex Head Cap (M12 x 1.75 x 20mm)	6	800-3017-18	2	Screw, Hex Head (M8 x 1.25 x 16mm)
2	155-4263	1	Clamp, Exhaust	7	155-4299	1	Elbow, Exhaust
3	526-0399-64	2	Washer, Flat (M12)	8	155-4245-03	1	Bracket, Exhaust
4	518-0548-29	1	Clamp, Hose	9	526-0399-60	2	Washer, Flat (M8)
5	821-6006-01	1	Screw, (M6 x 1 x 16mm)				

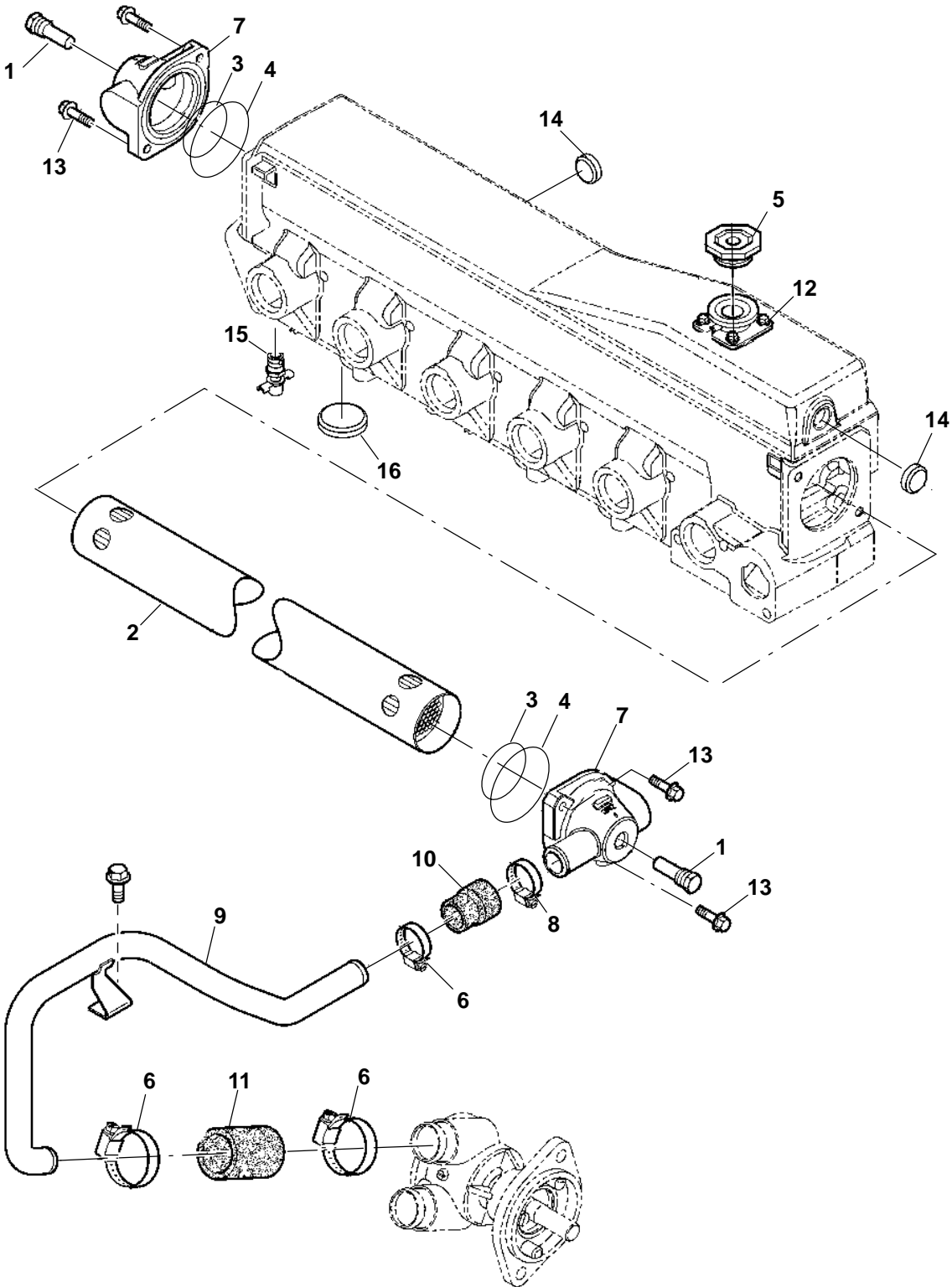
Heat Exchanger (Wet)



REF NO.	PART NO.	QTY USED	PART DESCRIPTION	REF NO.	PART NO.	QTY USED	PART DESCRIPTION
	132-0436	1	Kit, Seawater Pump Impeller Repair	6	503-2498	1	Hose, Coolant (Wet and Dry)
	132-0437	1	Kit, Seawater Pump Major Repair	7	130-6145-01	1	Tube, Water (Wet and Dry)
1	502-0029-04	1	Bushing, Pipe (Wet and Dry) (1/2"NPT x x 1/4"NPT)	8	503-1138	3	Clamp, Hose (Wet and Dry)
2	502-0164	1	Tee, Street (1/4"NPT)	9	503-2499	2	Hose, Coolant
3	502-0029	1	Bushing, Pipe (1/4"NPT x x 1/8"NPT)	10	503-1140	2	Clamp, Hose
4	504-0017	2	Cock, Drain (Wet and Dry) (1/4"NPT x 3/8"Hose)	11	503-2533	1	Hose, Bulk
5	309-0667	1	Switch, Pressure	12	503-2509	1	*Hose, Front Coolant
				13	503-2510	1	*Hose, Rear Coolant
				14	193-0468	1	Sender, Low Coolant (Optional)

* - Front and Rear Coolant Hoses shipped loose.

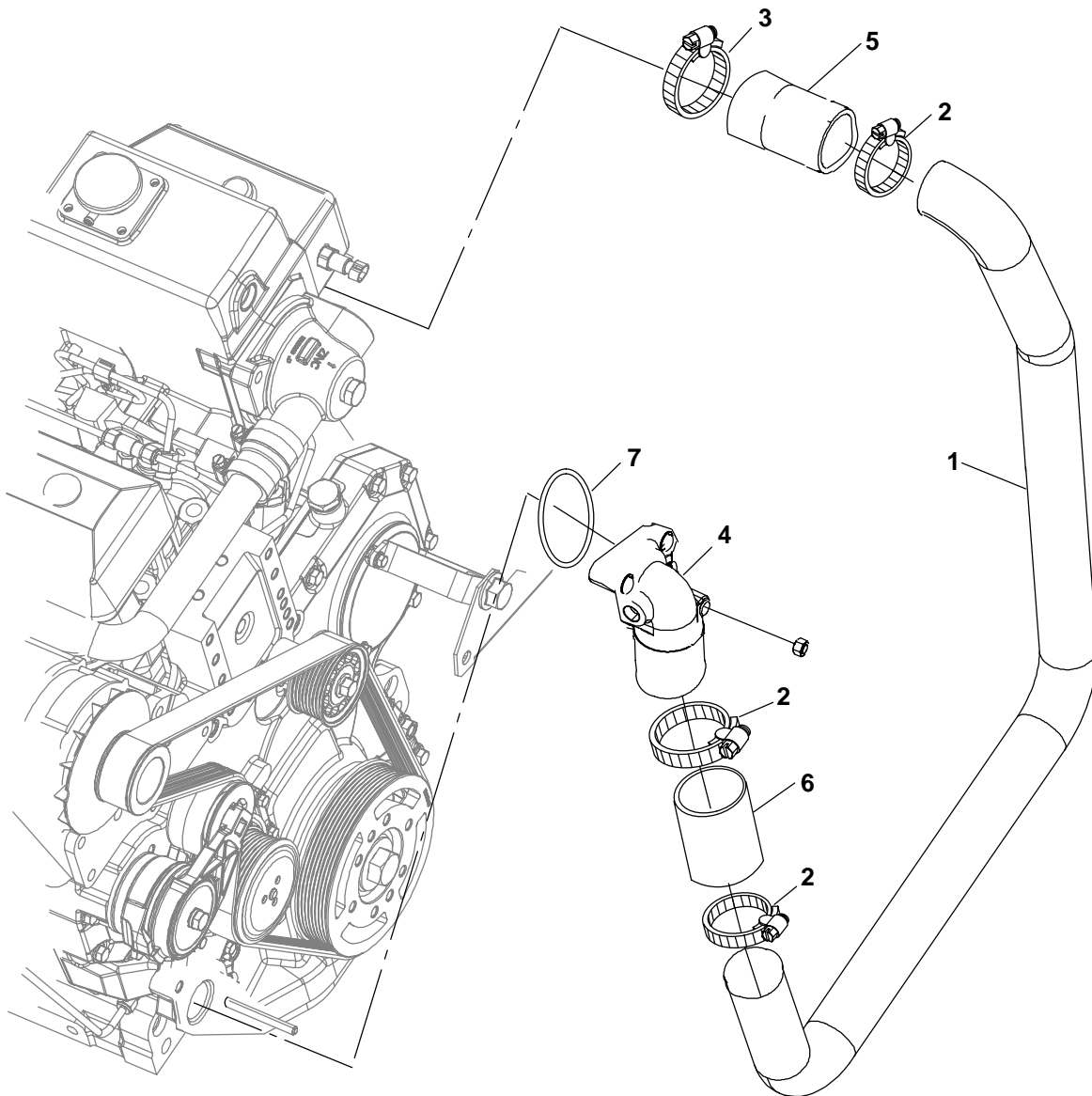
Heat Exchanger (Wet)



Heat Exchanger (Wet)

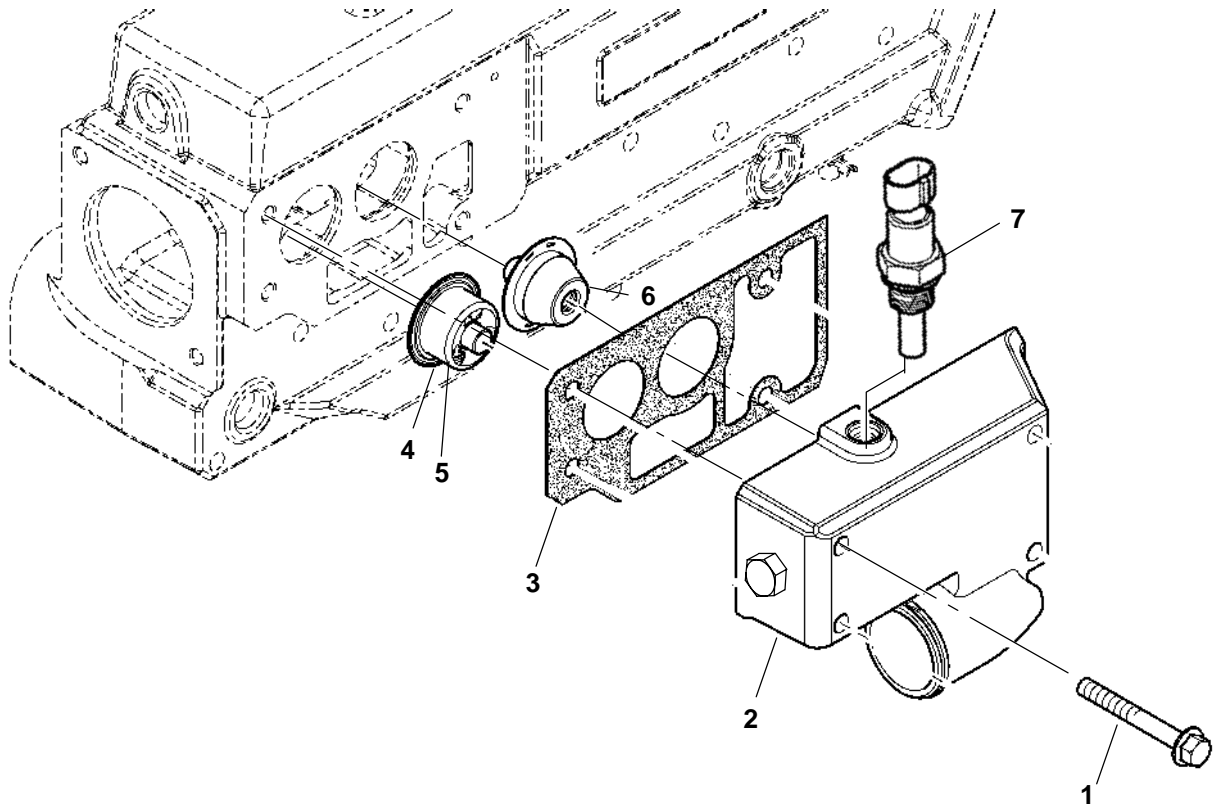
REF NO.	PART NO.	QTY USED	PART DESCRIPTION	REF NO.	PART NO.	QTY USED	PART DESCRIPTION
1	130-6228	2	Plug, Anode	9	130-6269	1	Tube, Seawater
2	130-6267	1	Exchanger, Heat MDDCA, MDDCB, MDDCC, MDDCF and MDDCG	10	503-2525	1	(Pump to Exchanger) Hose, Seawater
	130-6273	1	MDDCD, MDDCE, MDDCH and MDDCJ	11	503-2526	1	Hose, Seawater MDDCA, MDDCB, MDDCC, MDDCF and MDDCG
3	509-0399	2	Package, Heat Exchanger O'Ring		503-2522	1	MDDCD, MDDCE, MDDCH and MDDCJ
4	509-0400	2	Package, Heat Exchanger	12	800-6320	4	Screw, Flanged (M6 x 16mm)
5	130-6266	1	Cap, Radiator	13	800-6321	4	Screw, Flanged (M10 x 35mm)
6	503-2524	3	Clamp, Hose MDDCA, MDDCB, MDDCC, MDDCF and MDDCG	14	323-2178	1	Plug, Exhaust Manifold
	503-2532	3	MDDCD, MDDCE, MDDCH and MDDCJ	15	504-0269	1	Cock, Special Drain MDDCA, MDDCB, MDDCC, MDDCF and MDDCG
7	130-6268	2	Cover, Heat Exchanger O'Ring		504-0270	1	MDDCD, MDDCE, MDDCH and MDDCJ
8	503-2523	1	Clamp, Hose MDDCA, MDDCB, MDDCC, MDDCF and MDDCG	16	323-2179	1	Plug, Exhaust Manifold
	503-2531	1	MDDCD, MDDCE, MDDCH and MDDCJ				

Coolant System



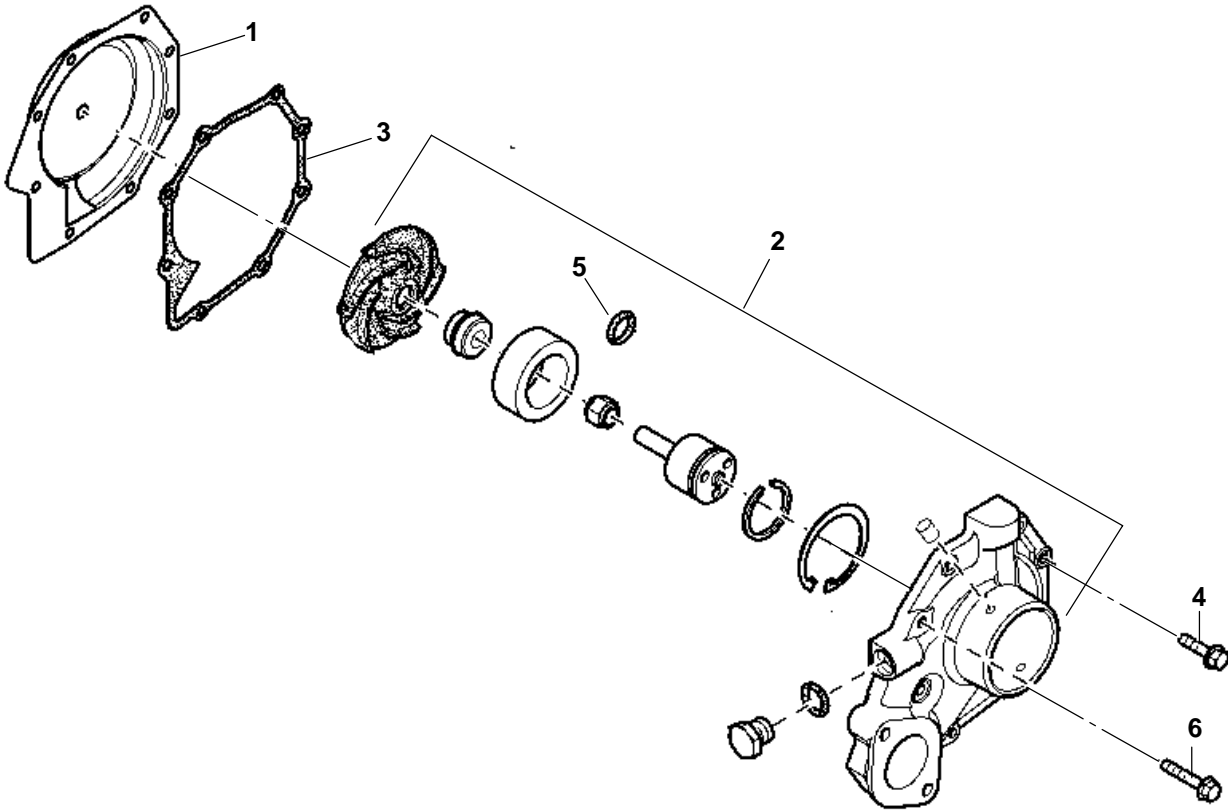
REF NO.	PART NO.	QTY USED	PART DESCRIPTION	REF NO.	PART NO.	QTY USED	PART DESCRIPTION
1	130-6270	1	Tube, Water	5	503-2529	1	Hose, Upper Radiator
2	503-2527	3	Clamp, Water Pump Hose	6	503-2522	1	Hose, Lower Radiator
3	503-2528	1	Clamp, Water Pump Hose	7	509-0404	1	Packing, O'Ring
4	132-0441	1	Inlet, Water Pump				

Thermostat Housing



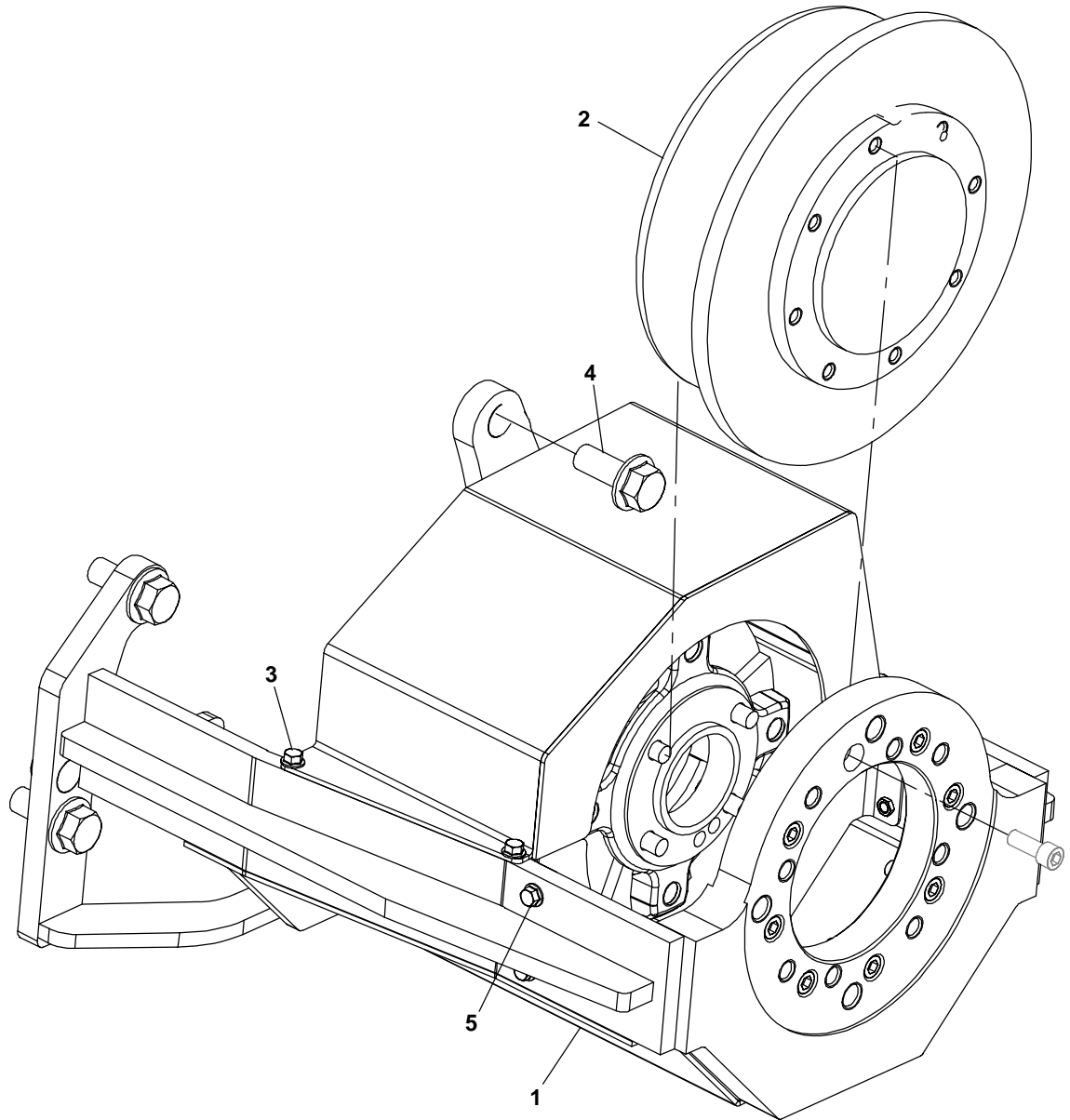
REF NO.	PART NO.	QTY USED	PART DESCRIPTION	REF NO.	PART NO.	QTY USED	PART DESCRIPTION
1	800-6319	4	Screw, Flange Metric (M10 x 80mm)	4	130-6226	2	Thermostat
2	130-6262	1	Cover, Thermostat	5	130-6263	1	Thermostat (4 Cylinder)
3	130-6227	1	Gasket, Thermostat Cover	6	130-6264	1	Thermostat 82° (4 Cylinder)
				7	193-0573	1	Senor, Temperature

Coolant Pump



REF NO.	PART NO.	QTY USED	PART DESCRIPTION	REF NO.	PART NO.	QTY USED	PART DESCRIPTION
	541-1146	1	Kit, Water Pump, High Flow	4	800-6323	7	Screw, Flanged (M6 x 25mm)
1	541-1147	1	Kit, Water Pump Insert Service	5	509-0402	1	Packing, O'Ring
2	132-0438	1	Assy, Water Pump	6	800-6322	3	Screw, Flanged (M6 x 30mm)
3	132-0439	1	Gasket, Water Pump				

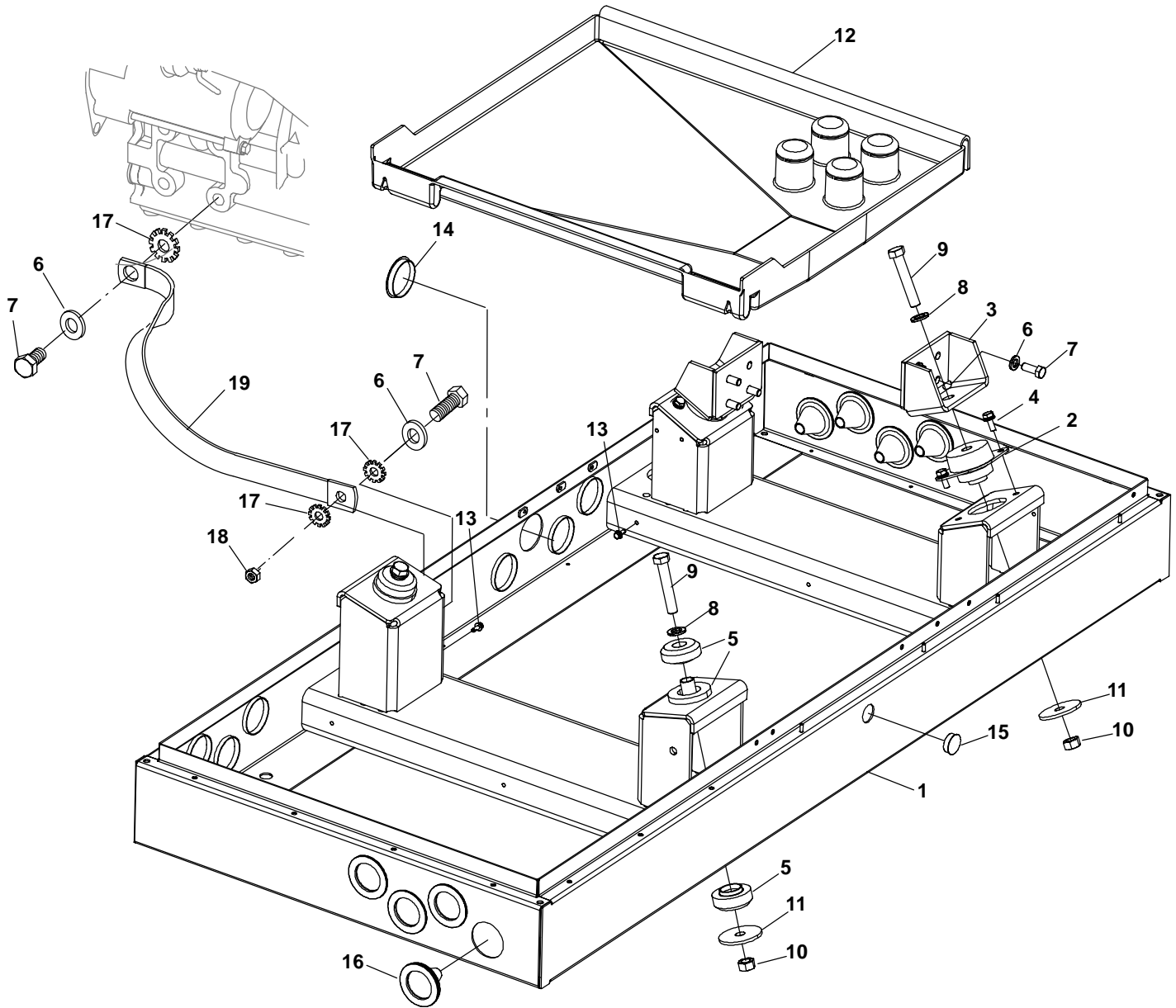
Power Takeoff



REF NO.	PART NO.	QTY USED	PART DESCRIPTION	REF NO.	PART NO.	QTY USED	PART DESCRIPTION
	541-1139-01	1	Kit, PTO MDDCA, MDDCB, MDDCC, MDDCF and MDDCG	3	800-3017-01	4	*Screw, Hex Head Flange (M6 x 1 x 10mm)
	541-1139-02	1	Kit, PTO MDDCD, MDDCE, MDDCH, and MDDCJ	4	800-3017-72	4	*Screw, Hex Head Flange (M16 x 2 x 40mm)
1			Assy, PTO Adapter	5	800-3017-04	2	*Screw, Hex Head Flange (M6 x 1 x 20mm)
	190-0819-01	1	MDDCA, MDDCB, MDDCC, MDDCF and MDDCG				
	190-0819-02	1	MDDCD, MDDCE, MDDCH, and MDDCJ				
2			Clutch				
	190-0719-01	1	12V, 70Horsepower				
	190-0719-02	1	24V, 70Horsepower				
	190-0724-02	1	12V, 100Horsepower				
	190-0724-01	1	24V, 100Horsepower				

* - All parts included in kit unless noted.

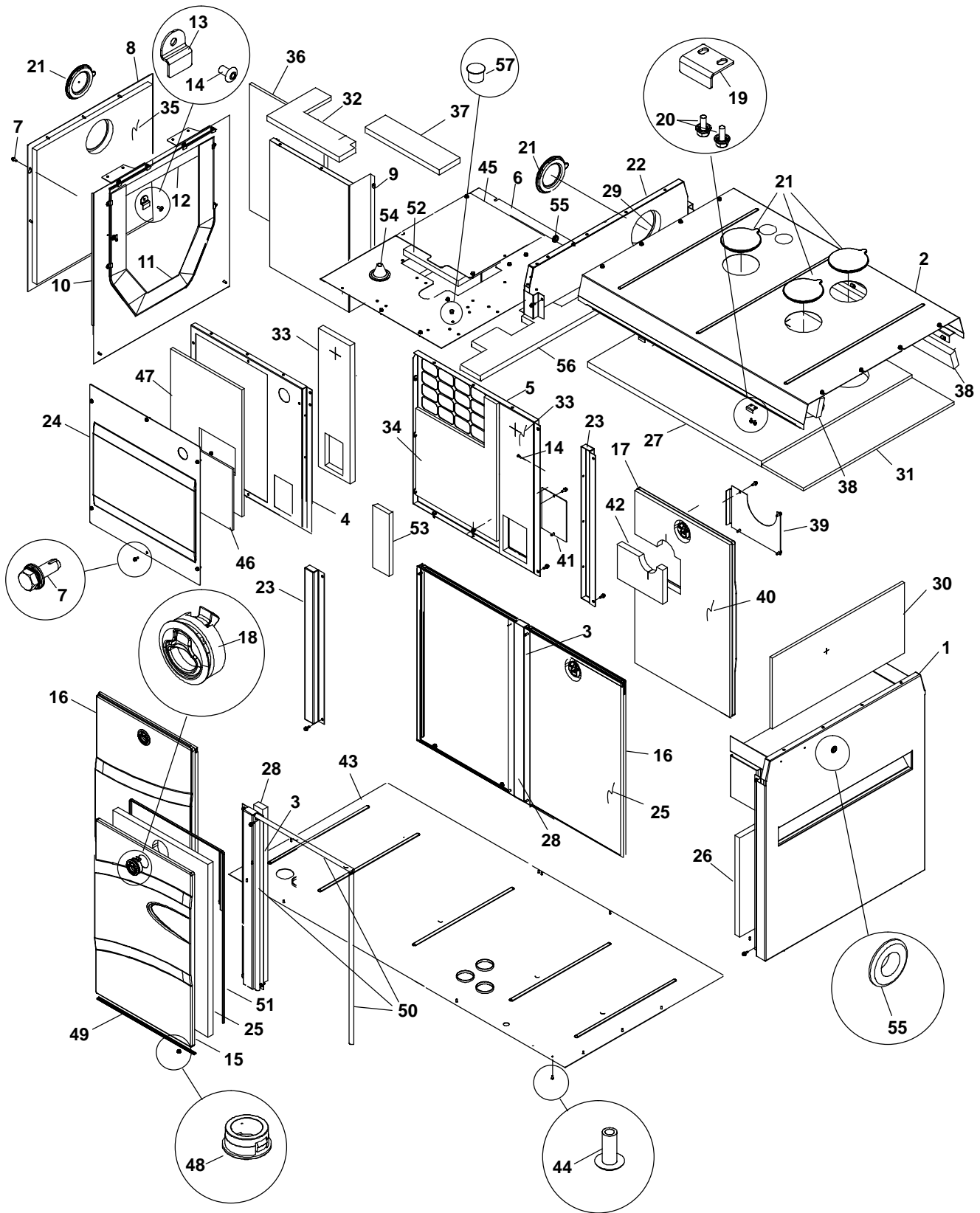
Skid



Skid

REF NO.	PART NO.	QTY USED	PART DESCRIPTION	REF NO.	PART NO.	QTY USED	PART DESCRIPTION
1			Assy, Skid	7	800-3017-54	8	Screw, Hex Head Cap (M12 x 1.75 x 30mm)
	403-5201-04	1	PTO and Non-PTO (MDDCA, MDDCF)	8	526-0399-66	4	Washer, Flat (M16)
	403-5201-05	1	PTO and Non-PTO (MDDCB, MDDCC, MDDCG)	9	800-3017-82	4	Screw, Hex Head Cap (M16 x 2 x 90mm)
	403-5201-06	1	PTO and Non-PTO (MDDCD, MDDCE, MDDCH, MDDCJ)	10	862-0026-58	4	Nut, Hex (M16 x 2)
2			Isolator, Vibration	11	402-0835-02	4	Washer, Snubbing
	402-0824-01	2	Non-PTO (MDDCA, MDDCF, MDDCB, MDDCC, MDDCG)	12	403-5355-01	1	PTO and Non-PTO (MDDCD, MDDCE, MDDCH, MDDCJ)
	402-0824-02	2	PTO (MDDCD, MDDCE, MDDCH, MDDCJ)		403-5355-02	1	PTO and Non-PTO (MDDCB, MDDCC, MDDCG)
	402-0824-03	2	Non-PTO (MDDCD, MDDCE, MDDCH, MDDCJ) and PTO (MDDCA, MDDCF, MDDCB, MDDCC and MDDCG)		403-5355-03	1	PTO and Non-PTO (MDDCA, MDDCF)
3	403-5202-03	3	Mount, Engine	13	821-6006-01	6	Screw, Hex Head Sems Stainless (M6 1 x 16mm)
4	821-6004-01	4	Screw, Hex Head Sems (M10 x 1.5 x x20mm)	14	517-0138-09	12	Plug, Hole
5			Isolator, Vibration	15	517-0138-04	1	Plug, Hole
	402-0825-01	2	PTO and Non-PTO (MDDCA, MDDCF, MDDCB, MDDCC, MDDCG)	16	508-1203	4	Grommet
	402-0825-02	2	PTO and Non-PTO (MDDCD, MDDCE, MDDCH, MDDCJ)	17	856-0013	3	Washer, ETIT Locking (1/2")
6	526-0399-64	8	Washer, Flat (M12)	18	862-0026-57	1	Nut, Hex (M12 x1.75)
				19	337-0090	1	Strap, Bond

Housing (MDDCA, MDDCB, MDDCC, MDDCF and MDDCG)



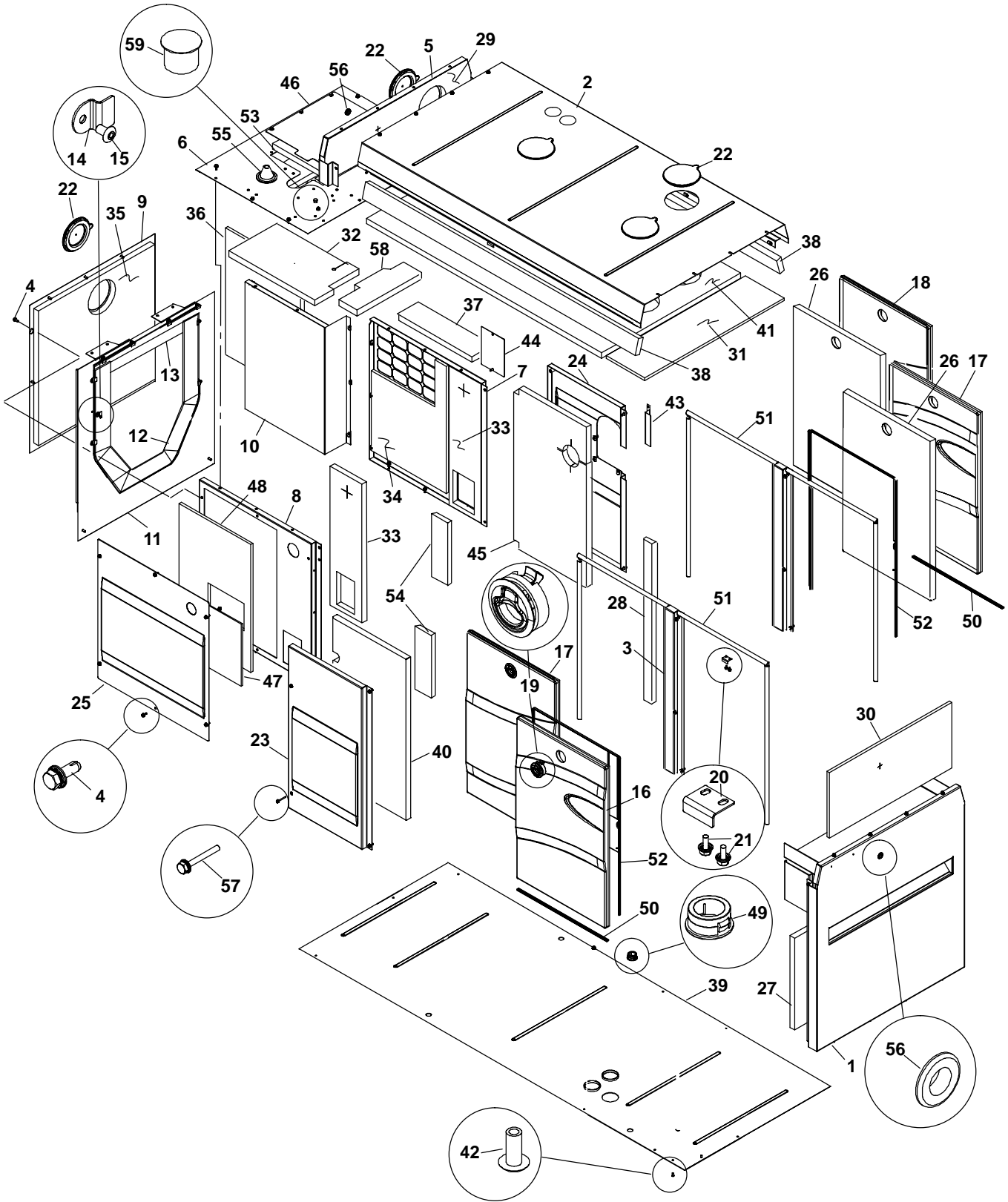
**Housing
(MDDCA, MDDCB, MDDCC,
MDDCF and MDDCG)**

REF NO.	PART NO.	QTY USED	PART DESCRIPTION	REF NO.	PART NO.	QTY USED	PART DESCRIPTION
	541-1126-01	1	Kit, Sound Shield (40, 55, 65kW)	27	405-7815	1	Insulation, Roof
1	405-7805-03	1	Panel, Enclosure (Front Non-PTO)	28	405-7816	2	Insulation, Enclosure (Stiffener)
2	405-7795-03	1	Panel, Roof	29	405-7817	1	Insulation, Enclosure
3	405-7796-03	2	Stiffener, Enclosure	30	405-7819	1	Insulation, Baffle
4	405-8051-03	1	Panel, Enclosure	31	405-7820	1	Insulation, Baffle
5	405-8052-03	1	Panel, Enclosure	32	405-8281	1	Insulation, Enclosure
6	405-8053-03	1	Panel, Enclosure	33	405-7858	2	Insulation, Enclosure
7	821-6006-01	87	Screw, Hex Head Sems Stainless (M6 x 1.0 x 16mm)	34	405-7822	1	Insulation, Enclosure
8	405-7802-03	1	Cover, Enclosure	35	405-7823	1	Insulation, Cover
9	405-7857-02	1	Panel, Air Baffle	36	405-7824	1	Insulation, Baffle
10	405-8015-02	1	Panel, Air Baffle	37	405-7859	1	Insulation, Enclosure
11	509-0392	1	Seal, Brush	38	405-8097-01	2	Insulation, Roof
12	509-0393	1	Seal, Brush	39	405-8042-03	1	Panel, Enclosure
13	134-5299-02	13	Bracket, Fan	40	405-8064	1	Insulation, Enclosure
14			Rivet, Pop	41	405-8024-03	1	Panel, Access
	818-0231-01	13	PTO and Non-PTO (MDDCA and MDDCF)	42	405-8067	1	Insulation, Enclosure
				43			Pan, Skid
	818-0231-01	19	PTO and Non-PTO (MDDCB, MDDCC, MDDCG and MDDCH)		403-5331-02	1	MDDCA and MDDCF
					403-5260-02	1	MDDCB, MDDCC, MDDCG and MDDCG
				44	818-0231-02	22	Rivet, Pop
15	405-7781-09	1	Door, Access	45	405-8094-03	1	Panel, Access
16	405-7781-10	2	Door, Access	46	405-8096	1	Insulation, Enclosure
17	405-7781-11	1	Door, Access	47	405-7860	1	Insulation, Enclosure
18	406-1055	4	Latch, Door (Flush Pull)	48	508-1209	8	Bushing
19	406-1050	4	Catch, Door	49	895-0395	1	Seal, Weather (996mm)
20	821-6001-01	8	Screw, Hex Head Sems (M5 x .8 x 10mm)	50	895-0411	1	Seal, Enclosure (8024mm)
21	405-7257	5	Cover, Access	51	508-0333	1	Trim, Edge (8128mm)
22	405-7797-03	1	Panel, Roof (End)	52	405-8235	2	Insulation, Cover
23	405-7914-03	2	Spacer, Panel (MDDCB, MDDCC, MDDCG and MDDCH PTO and Non-PTO)	53	405-8236	2	Insulation, Baffle
24	405-8023-03	1	Panel, Access	54	508-1203	1	Grommet
25	405-7813	3	Insulation, Door	55	508-0021	2	Grommet
26	405-7814	1	Insulation, Enclosure (Front Non-PTO only)	56	405-8277	1	Insulation, Enclosure
				57	517-0131-03	4	Plug, Hole

* - All parts included with PTO and Non-PTO Housing unless noted.

+ - All parts included with Sound Shield Kit unless noted.

Housing (MDDCD, MDDCE, MDDCH and MDDCJ)



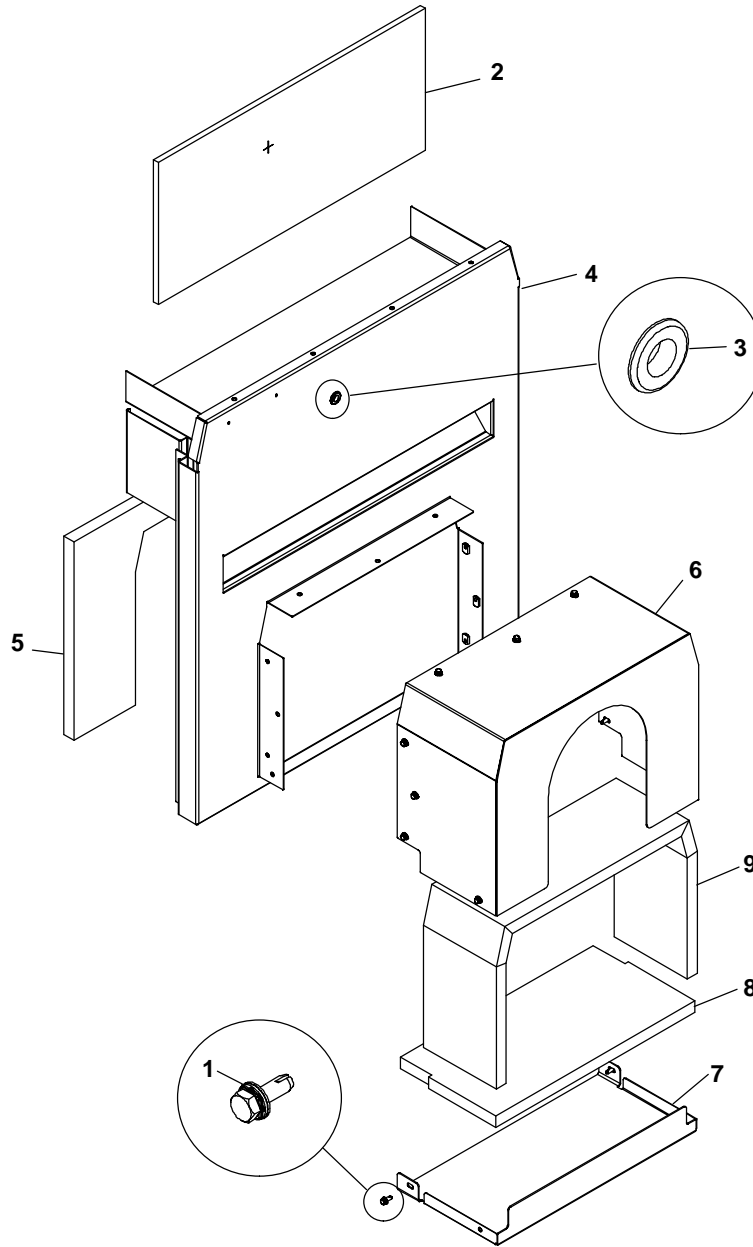
**Housing
(MDDCD, MDDCE, MDDCH
and MDDCJ)**

REF NO.	PART NO.	QTY USED	PART DESCRIPTION	REF NO.	PART NO.	QTY USED	PART DESCRIPTION
	541-1127-01	1	Kit, Sound Shield (80, 99kW)	30	405-7819	1	Insulation, Baffle
1	405-7805-03	1	Panel, Enclosure (Front Non-PTO)	31	405-7820	1	Insulation, Baffle
2	405-8031-03	1	Panel, Roof	32	405-8281	1	Insulation, Enclosure
3	405-7796-03	2	Stiffener, Enclosure	33	405-7858	2	Insulation, Enclosure
4	821-6006-01	87	Screw, Hex Head Sems Stainless (M6 x 1.0 x 16mm)	34	405-7822	1	Insulation, Enclosure
5	405-7797-03	1	Panel, Roof (End)	35	405-7823	1	Insulation, Cover
6	405-8053-03	1	Panel, Enclosure	36	405-7824	1	Insulation, Baffle
7	405-8052-03	1	Panel, Enclosure	37	405-7859	1	Insulation, Enclosure
8	405-8051-03	1	Panel, Enclosure	38	405-8097-02	2	Insulation, Roof
9	405-7802-03	1	Cover, Enclosure	39	403-5332-02	1	Pan, Skid
10	405-7857-02	1	Panel, Air Baffle	40	405-7818		Insulation, Enclosure
11	405-8015-02	1	Panel, Air Baffle	41	405-8033	1	Insulation, Roof
12	509-0392	1	Seal, Brush	42	818-0231-02	22	Rivet, Pop
13	509-0393	1	Seal, Brush	43	405-8043-03	1	Panel, Enclosure
14	134-5299-02	13	Bracket, Fan	44	405-8024	1	Panel, Enclosure
15	818-0231-01	13	Rivet, Pop	45	405-8065	1	Insulation, Enclosure
16	405-7781-09	1	Door, Access	46	405-8094-03	1	Panel, Access
17	405-7781-10	2	Door, Access	47	405-8096	1	Insulation, Enclosure
18	405-7781-12	1	Door, Access	48	405-7860	1	Insulation, Enclosure
19	406-1055	4	Latch, Door (Flush Pull)	49	508-1209	8	Bushing
20	406-1050	4	Catch, Door	50	895-0395	1	Seal, Weather (996mm)
21	821-6001-01	8	Screw, Hex Head Sems (M5 x .8 x 10mm)	51	895-0411	1	Seal, Enclosure (8024mm)
22	405-7257	5	Cover, Access	52	508-0333	1	Trim, Edge (8128mm)
23	405-7911-03	1	Panel, Access	53	405-8235	1	Insulation, Cover
24	405-7912-03	1	Panel, Access	54	405-8236	2	Insulation, Baffle
25	405-8023-03	1	Panel, Access	55	508-1203	1	Grommet
26	405-7813	4	Insulation, Door	56	508-0021	2	Grommet
27	405-7814	1	Insulation, Enclosure (Front Non-PTO)	57	800-3023	4	Screw, Hex Head Cres (M6 x 40mm)
28	405-7816	2	Insulation, Enclosure (Stiffener)	58	405-8277	1	Insulation, Enclosure
29	405-7817	1	Insulation, Enclosure	59	517-0131-03	4	Plug, Hole

* - All parts included with PTO and Non-PTO Housing unless noted.

+ - All parts included with Sound Shield Kit unless noted.

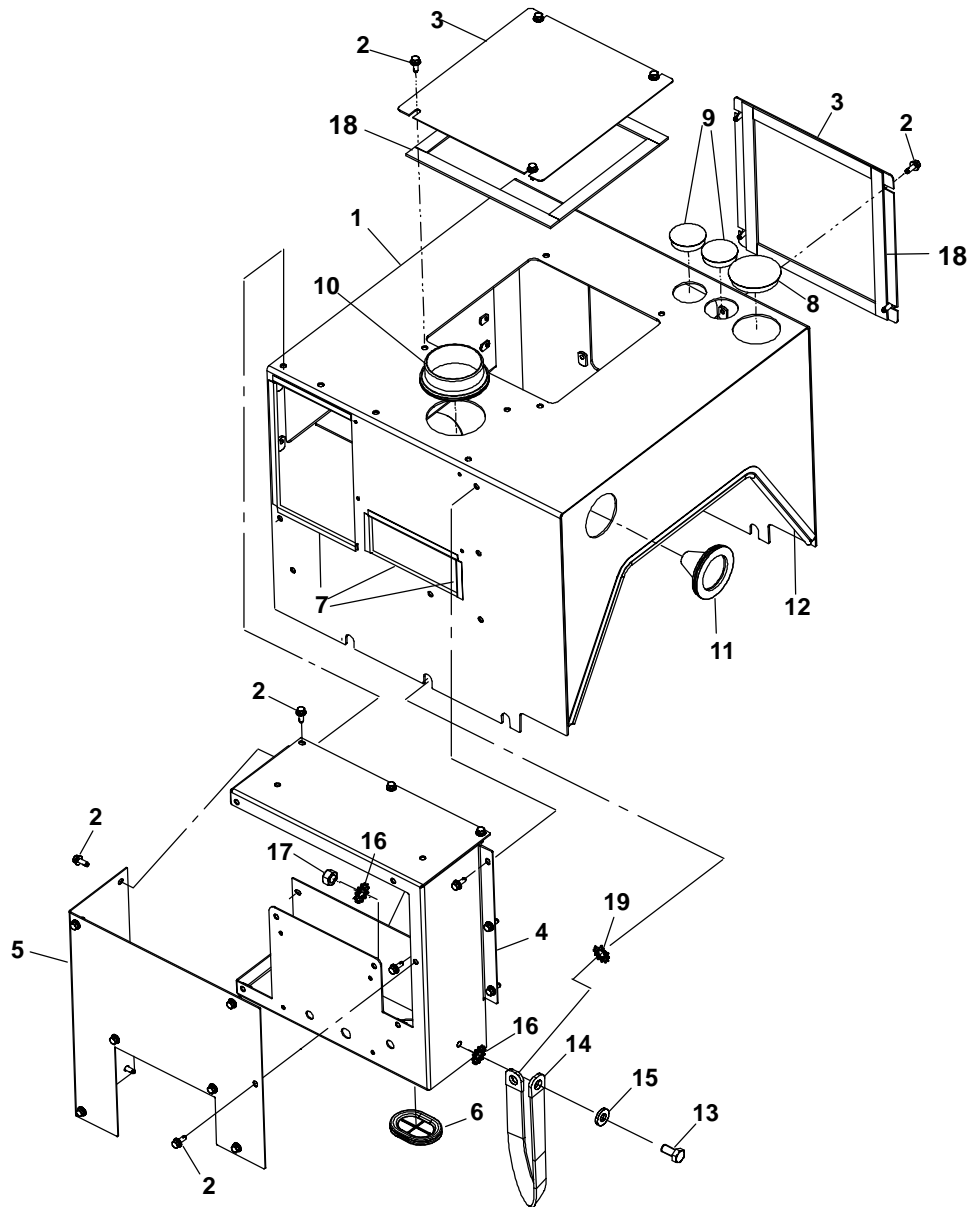
PTO Housing



REF NO.	PART NO.	QTY USED	PART DESCRIPTION	REF NO.	PART NO.	QTY USED	PART DESCRIPTION
	541-1140		Kit, Sound Shield (PTO) (Includes Parts Marked*)	4	405-8099-03	1	*Panel, Enclosure (Front)
1	821-6006-01	13	*Screw, Hex Head Sems Stainless (M6 x 1.0 x 16mm)	5	405-8200	1	*Insulation, Sound (Front)
2			Insulation, Baffle	6	190-0822-03	1	*Guard, Coupling
	405-7858	1	* MDDCA, MDDCB, MDDCC MDDCF and MDDCG	7	190-0823-03	1	*Guard, Coupling
	405-7819	1	MDDCD, MDDCE, MDDCH and MDDCJ	8	405-8201	1	*Insulation, Sound
3	508-0021	2	*Grommet	9	405-8202	1	*Insulation, Sound

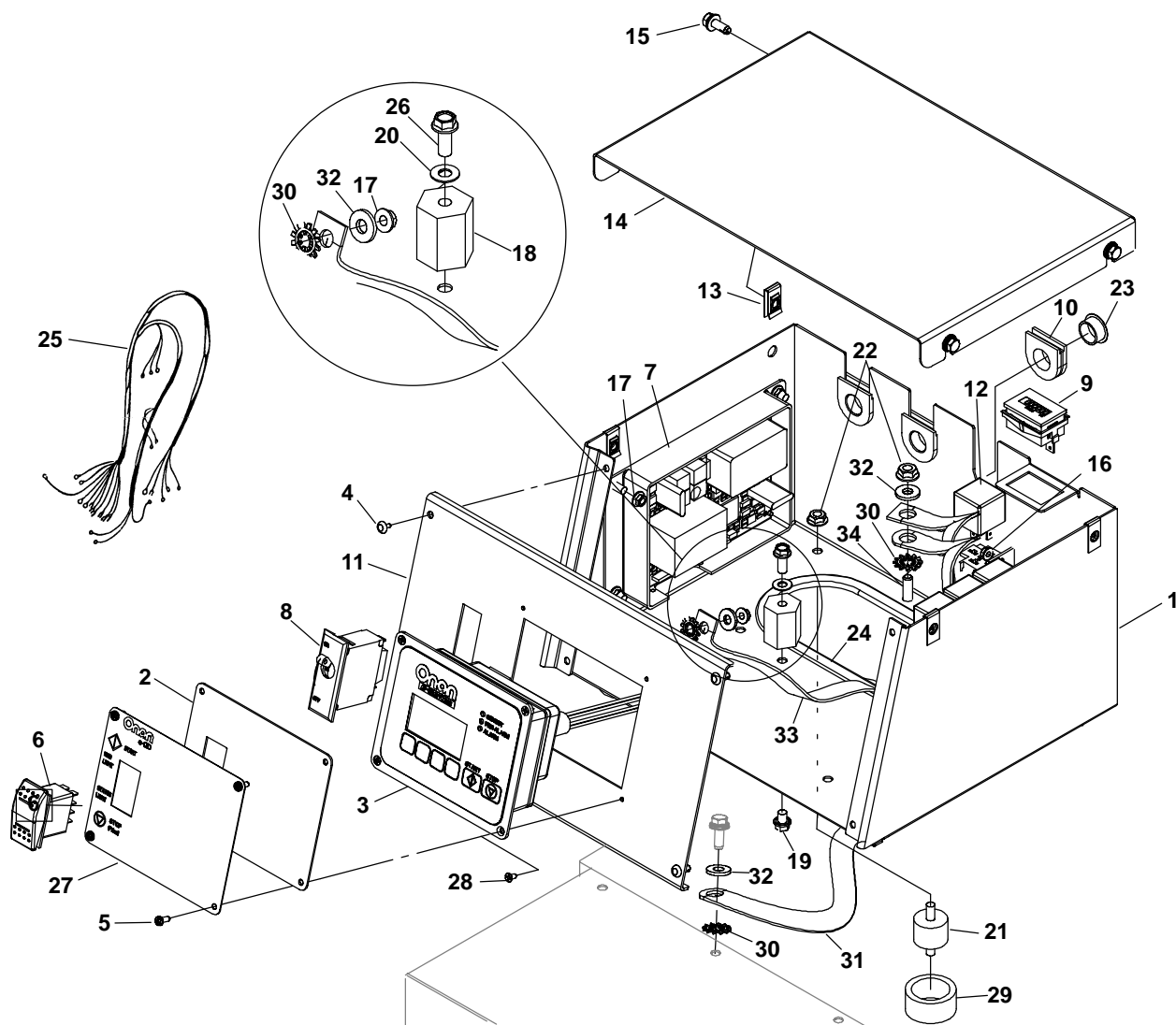
* - All Parts Included with PTO Housing Only

Control Housing



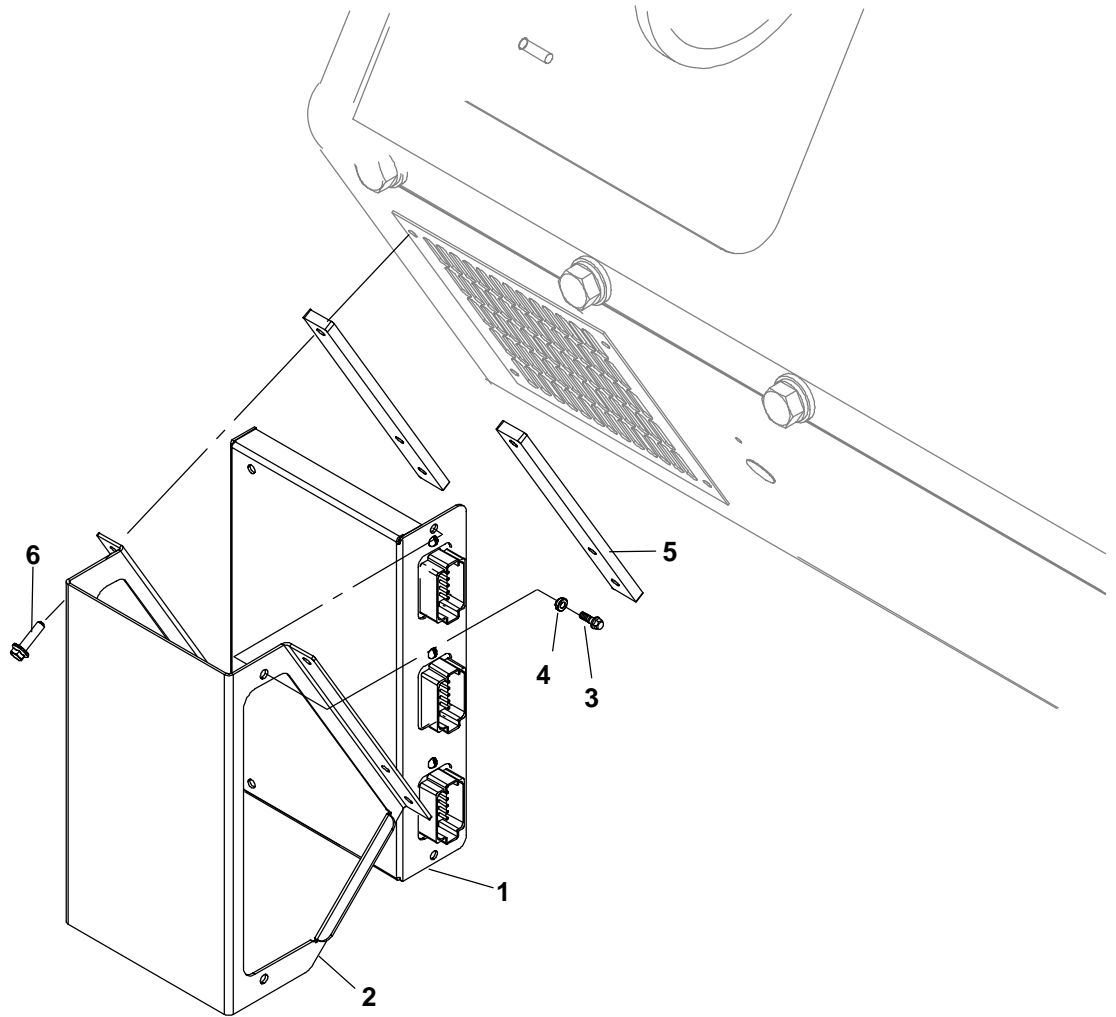
REF NO.	PART NO.	QTY USED	PART DESCRIPTION	REF NO.	PART NO.	QTY USED	PART DESCRIPTION
1			Saddle, Control Box	11	508-1203	1	Grommet, Boot
	319-5350-03	1	UCD22 Generator	12			Seal, Edge
	319-5301-03	1	UC27 Generator		305-0837-04	1	UCD22 Generator
2			Screw, Hex Head Sems Stainless(M6 x 1 x 16mm)		305-0837-02	1	UC27 Generator
	821-6006-01	25	UCD22 Generator	13	800-6085	1	Screw, Hex Head Cap (M10 x 1.5 x 20mm)
	821-6006-01	26	UC27 Generator	14	337-0090	1	Strap, Electrical
3	319-5307-03	2	Panel Saddle (Cover)	15	526-0030	1	Washer, Flat
4	319-5310-03	1	Box, Output	16	856-0010	2	Washer, Eit Lock
5	319-5311-03	1	Box, Output (Cover)	17	860-2059	1	Nut, Hex Head Machine (M10 x 1.5mm)
6	508-1116	1	Grommet, Remote	18	405-8549	1	Trim, Edge (5.9')
7	508-0333	1	Trim, Edge (3')	19	856-0013	1	Washer, Eit Lock
8	514-0138-09	1	Plug, Hole				
9	517-0138-07	2	Plug, Hole				
10	508-1152	1	Grommet, Rubber				

Control Housing (DC)



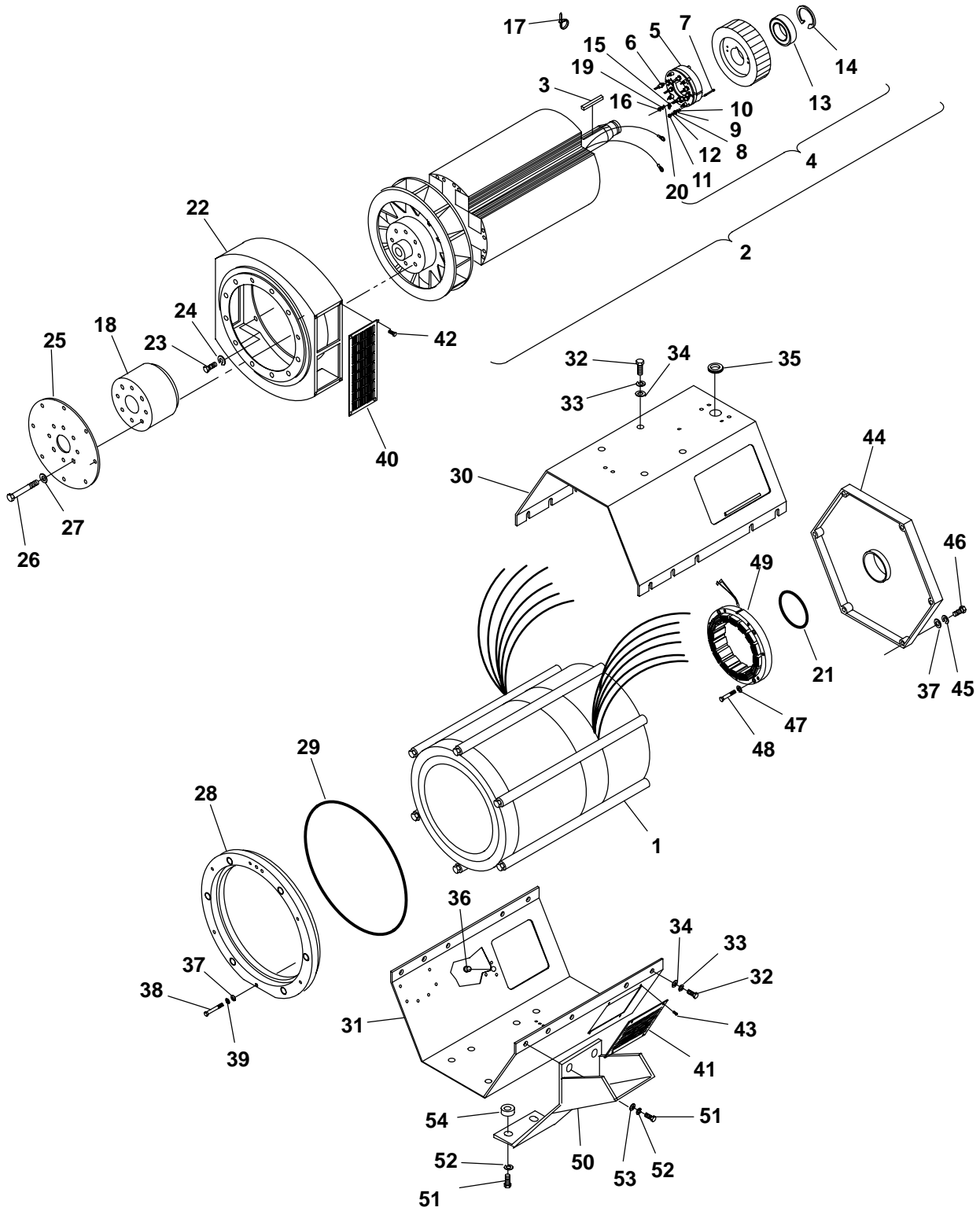
REF NO.	PART NO.	QTY USED	PART DESCRIPTION	REF NO.	PART NO.	QTY USED	PART DESCRIPTION
	541-1130	1	Kit, Control Display	16	166-0770	4	Nut, Hex Flange (M4 x .7)
1	319-5382-03	1	Box, Control (DC)	17	870-2065-01	4	Nut, Hex Flange (M5 x .7)
2	319-5426-02	1	Panel, Control (Non-ESDD)	18	332-2370	1	Standoff, Insulator
3	300-5885	1	Assy, Control (ESDD)	19	821-0008	1	Screw, Locking Flange Head (1/4-20 x .31")
4	818-1150-03	4	Rivet, Drive	20	526-0052	1	Washer, Flat
5	815-0845	4	Screw, Pan Head Xrec (Non-ESDD #6-32 x .38")	21	402-0610	4	Isolator, Vibration
6			Switch, Rocker SPDT (12V)	22	870-0550-05	4	Nut, Hex Flange (1/4-20")
	308-1101	1	(24V)	23	517-0136	3	Plug, Hole
7	327-1444-01	1	Assy, PCB	24	508-0333	1	Trim, Edge (571mm)
8	320-2219	1	Circuit, Breaker	25	338-4439	1	Harness, Engine
9	302-2048	1	Hourmeter	26	821-0010	1	Screw, Locking Flange (1/4-20 x .50)
10	508-1105	3	Grommet, Remote	27	98-8254	1	Label, Information
11	319-5383-02	1	Panel, Control Box	28	814-2155-01	4	Screw, Flange Head Xrec (ESDD M3 x 5 x 9.5mm)
12			Relay, SPDT (12V)	29	402-0858	4	Snubber, Ring
	307-2767	4	(24V)	30	856-0006	3	Washer, EIT Locker (1/4")
	307-2819	4		31	337-3466	1	Strap, Bond
13	870-2228	4	Clip, Nut	32	526-0399-13	3	Washer, Flat (1/4")
14	319-5381-03	1	Cover, Control	33	337-2785	1	Strap, Bond
15	821-6006-01	4	Screw, Hex Head Sem Stainless (M6 x 1 x 16mm)	34	800-0310-04	1	Screw, Hex Head Cap (1/4")

PCB Mounting



REF NO.	PART NO.	QTY. USED	PART DESCRIPTION	REF NO.	PART NO.	QTY. USED	PART DESCRIPTION
1	327-1450	1	PCB, Control	5	332-4112-03	2	Siffener, PCB
2	319-5296-03	1	Bracket, PCB	6	821-2023	4	Screw, Locking Flange (M5 x .8 x 20mm)
3	800-3042	4	Screw, Hex (M4 x 10)				
4	526-2050	4	Washer, Flat (M4)				

Generator



Generator

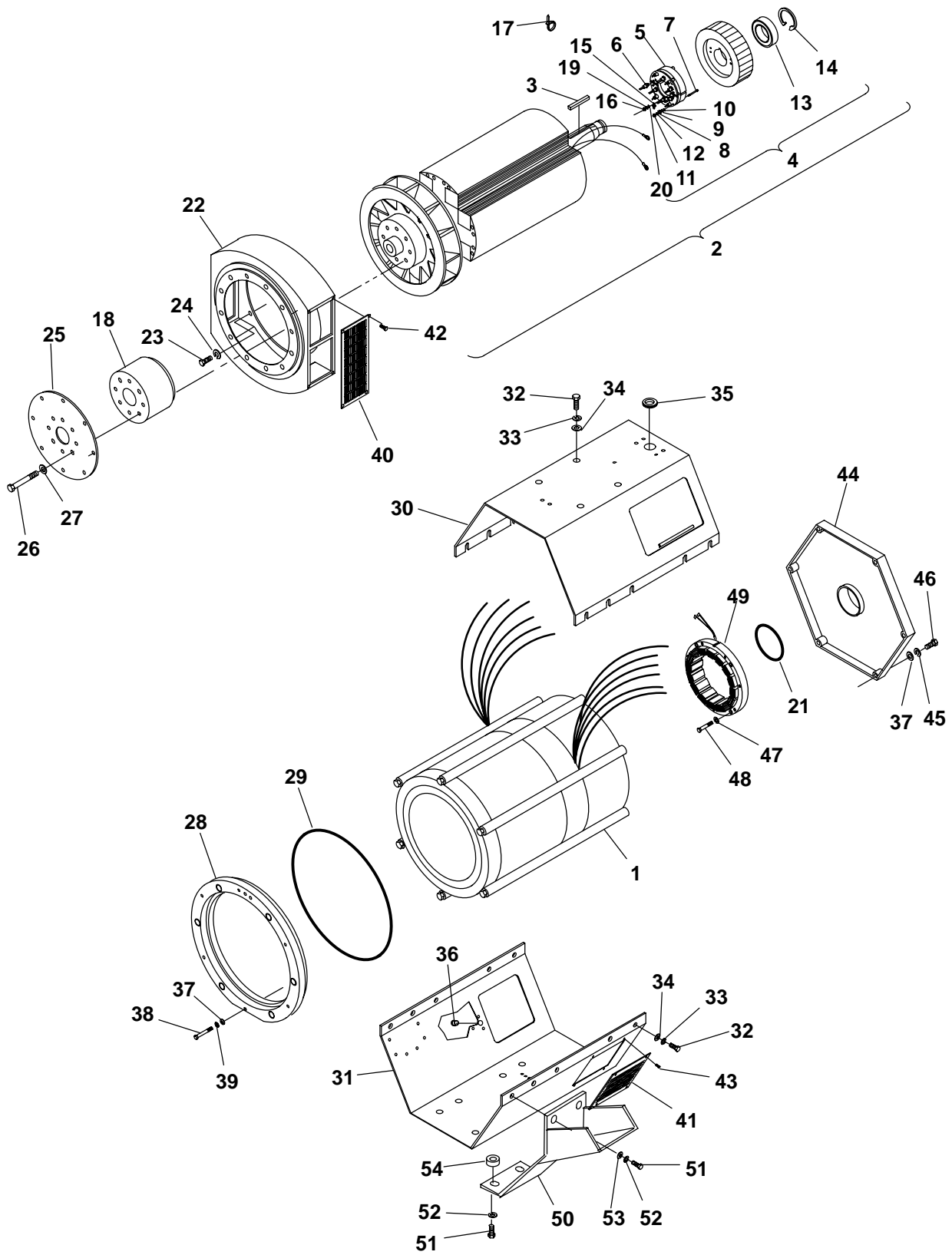
REF NO.	PART NO.	QTY USED	PART DESCRIPTION	REF NO.	PART NO.	QTY USED	PART DESCRIPTION
1			Stator, Generator	12	526-2050	6	* ♦ Washer, Flat (M4)
			UC22 Generator No.	13			* Bearing, Ball
	220-4628-04	1	3096-04		510-0165	1	UC22 Generator
	220-4628-08	1	3096-08		510-0164	1	UC27 Generator
	220-4628-09	1	3096-09	14			* Ring, Exciter Retaining
			UC27 Generator No.		518-0122	1	UC22 Generator
	220-4629-02	1	3097-02		518-0083	1	UC27 Generator
	220-4629-03	1	3097-03	15	304-0807	1	* Varistor
	220-4629-04	1	3097-04	16	860-2006	2	* Nut, Hex (M5)
	220-4629-07	1	3097-07	17	332-3227	1	* Tie, Cable (Use As Required)
	220-4629-09	1	3097-09	18			* Hub, Generator Drive
2			Rotor Assembly, Generator (Includes Parts Marked*)		232-3438	1	UC22 Generator
			UC22 Generator No.		232-3695	1	UC27 Generator
	201-3557-03	1	3096-08	19	850-2005	2	* Washer, Lock – Spring (M5)
	201-3557-04	1	3096-04 and 3096-09	20	526-2060	2	* Washer, Flat (M5)
			UC27 Generator No.	21			O-Ring
	201-3497-01	1	3097-07		509-0266-01	1	UC22 Generator
	201-3497-02	1	3097-02		509-0266-02	1	UC27 Generator
	201-3497-03	1	3097-03 and 3097-09	22			Adapter, Generator
	201-3497-04	1	3097-04		231-0316	1	UC22 Generator
3			* Key, Exciter Rotor		231-0317	1	UC27 Generator
			UC22 Generator No.	23			Screw, Cap – Hex Head
	515-0298-02	1	3096-04 and 3096-09		800-3017-41	6	UC22 Generator (M10 x 45mm)
			UC27 Generator No.				UC27
	515-0298-02	1	3097-02, 3097-04 and 3097-07		800-3017-42	5	M10 x 50mm
	515-0298-03	1	3097-03 and 3097-09		800-3017-44	1	M10 x 60mm (12 O'clock Position)
4			* Rotor Assembly, Exciter (Includes Parts Marked ♦)	24	850-0114-55	6	Washer, Lock – Spring (M10)
			UC22 Generator No.	25			Disc, Generator Drive
	201-3434-02	1	3096-04 and 3096-09		232-3699	2	UC22 Generator
			UC27 Generator No.		232-3699	3	UC27 Generator
	201-3434-02	1	3097-02, 3097-04 and 3097-07	26	720-1119	8	Screw, Cap – Hex Head (M16 x 40mm)
	201-3434-03	1	3097-03 and 3097-09	27	526-0259	8	Washer, Flat (5/8")
5			* ♦ Rectifier Assembly (Includes Parts Marked #)	28			Adapter, Generator Stator
	357-0091	1	Forward (With Positive Diode)		231-0318	1	UC22 Generator
					231-0319	1	UC27 Generator
	357-0092	1	Reverse (With Negative Diode)	29	508-0139	1	Seal, Edging – Bulk (Order by the Foot 3 Feet Required)
6			* ♦ # Diode	30			Cover, Stator – Top
	358-0135-01	3	Positive		234-0936-02	1	UC22 Generator No. 3096-04 and 3096-09
	358-0135-02	3	Negative		234-0937-01	1	UC27 Generator No. 3097-02, 3097-04 and 3097-07
7	800-3009	3	* ♦ # Screw, Cap – Hex Head (M4 x 35mm) (CR1,2,3,4,5,6)		234-0937-02	1	3097-03 and 3097-09
8	860-2005	3	* ♦ # Nut, Hex (M4)				
9	850-2004	3	* ♦ # Washer, Lock – Spring (M4)				
10	526-2050	3	* ♦ # Washer, Flat (M4)				
11	870-2064-01	6	* ♦ Nut, Locking – Nylon (M4)				

* Parts Included in Generator Rotor Assemblies

Parts Included in Rectifier Assemblies

♦ Parts Included in Exciter Rotor Assemblies

Generator



Generator

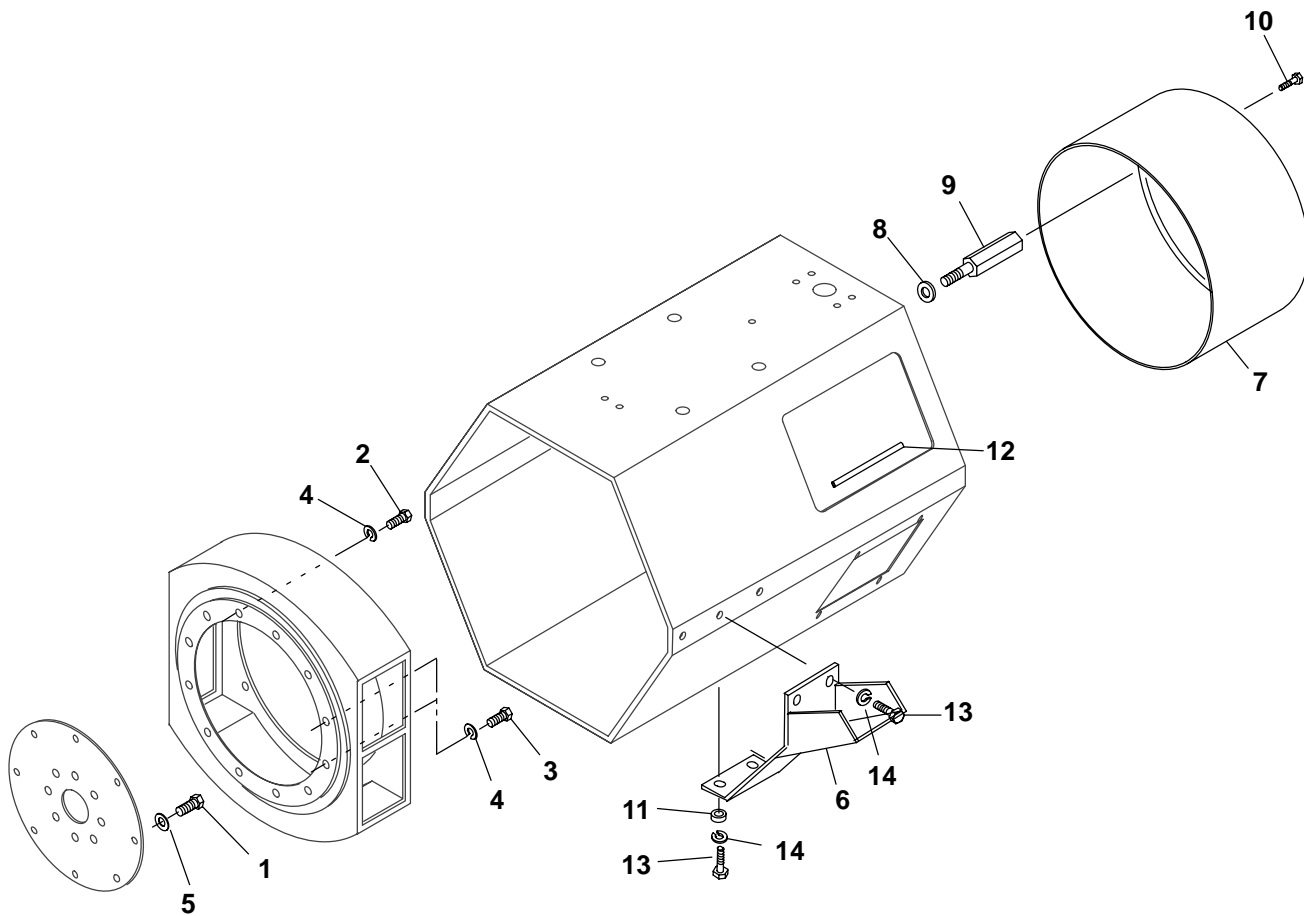
REF NO.	PART NO.	QTY USED	PART DESCRIPTION	REF NO.	PART NO.	QTY USED	PART DESCRIPTION
31			Cover, Stator – Bottom	44			Bell, End
	232-3819-02	1	UC22 Generator No.		211-0422	1	UC22 Generator
	232-3819-03	1	3096-04 & 3096-09		211-0423	1	UC27 Generator
			300mm Stack Length	45			Washer, Lock – Spring
	232-3820-01	1	UC27 Generator No.		850-0114-54	6	M8 (UC22 Generator)
			3097-02, 3097-04		850-0114-55	6	M10 (UC27 Generator)
			and 3097-07	46			Screw, Cap – Hex Head
	232-3820-02	1	3097-03 and 3097-09		800-3017-20	6	M8 x 25mm, UC22 Generator)
32			Screw, Cap – Hex Head		800-3017-38	6	M10 x 30mm UC27 Generator)
			M10 x 25mm				Generator)
			UC22 Generator No.	47	850-2006	4	Washer, Lock – Spring (M6)
	800-3017-37	10	3096-04 and 3096-09	48			Screw, Cap – Hex Head (M6)
			UC27 Generator				UC22 Generator No.
	800-3017-54	10	M12 x 30mm		800-2042	4	3096-04 and 3096-09
33			Washer, Lock – Spring				UC27 Generator No.
			M10		800-2042	4	3097-02, 3097-04
			UC22 Generator				and 3097-07
	850-0114-55	10	3096-04 and 3096-09		800-2046	4	3097-03 and 3097-09
			UC27 Generator	49			Stator, Exciter
	850-0114-54	10	M12				UC22 Generator No.
34			Washer, Flat M10		220-4293-08	1	3096-04, 3096-08
			UC22 Generator				and 3096-09
	526-0399-62	10	3096-04 and 3096-09				UC27 Generator No.
			UC27 Generator		220-4293-08	1	3097-02, 3097-04
	526-0399-64	10	M12				and 3097-07
35	508-1057	1	Grommet		220-4293-09	1	3097-03 and 3097-09
36	517-0135	1	Plug, Hole	50			Bracket, Generator Mounting
37			Washer, Flat		232-3452	2	UC22 Generator
			UC22 Generator		232-3454	2	UC27 Generator
	232-3441	12	M8	51			Screw, Cap – Hex head
			UC27 Generator		800-3017-38	8	M10 UC22 Generator
	526-0423	12	M10		800-3017-55	8	M12 UC27 Generator
38			Screw, Cap – Hex Head	52			Washer, Lock – Spring
			UC22 Generator		850-1114-55	8	M10 UC22 Generator
	800-3017-20	6	M8 x 25mm		850-1114-56	8	M12 UC27 Generator
			UC27 Generator	53			Washer, Flat
	800-3017-38	6	M10 x 30mm		526-0399-62	4	M10 UC22 Generator
39			Washer, Lock – Spring		526-0399-64	4	M12 UC27 Generator
			UC22 Generator	54			Spacer, Mounting Foot
	850-0114-54	6	M8		232-3730-03	4	UC22 Generator
			UC27 Generator		232-3730-04	4	UC27 Generator
	850-0114-55	6	M10				
40	-	2	Guard, Fan – Generator				
			(See Page 66)				
41	-	2	Screen, Air Inlet (See Page 66)				
42	-	8	Screw, Self-Locking – Hex				
			Washer Head (See Page 66)				
43	-	8	Screw, Self-Locking – Hex				
			Washer Head (See Page 66)				

* Parts Included in Generator Rotor Assemblies

◆ Parts Included in Exciter Rotor Assemblies

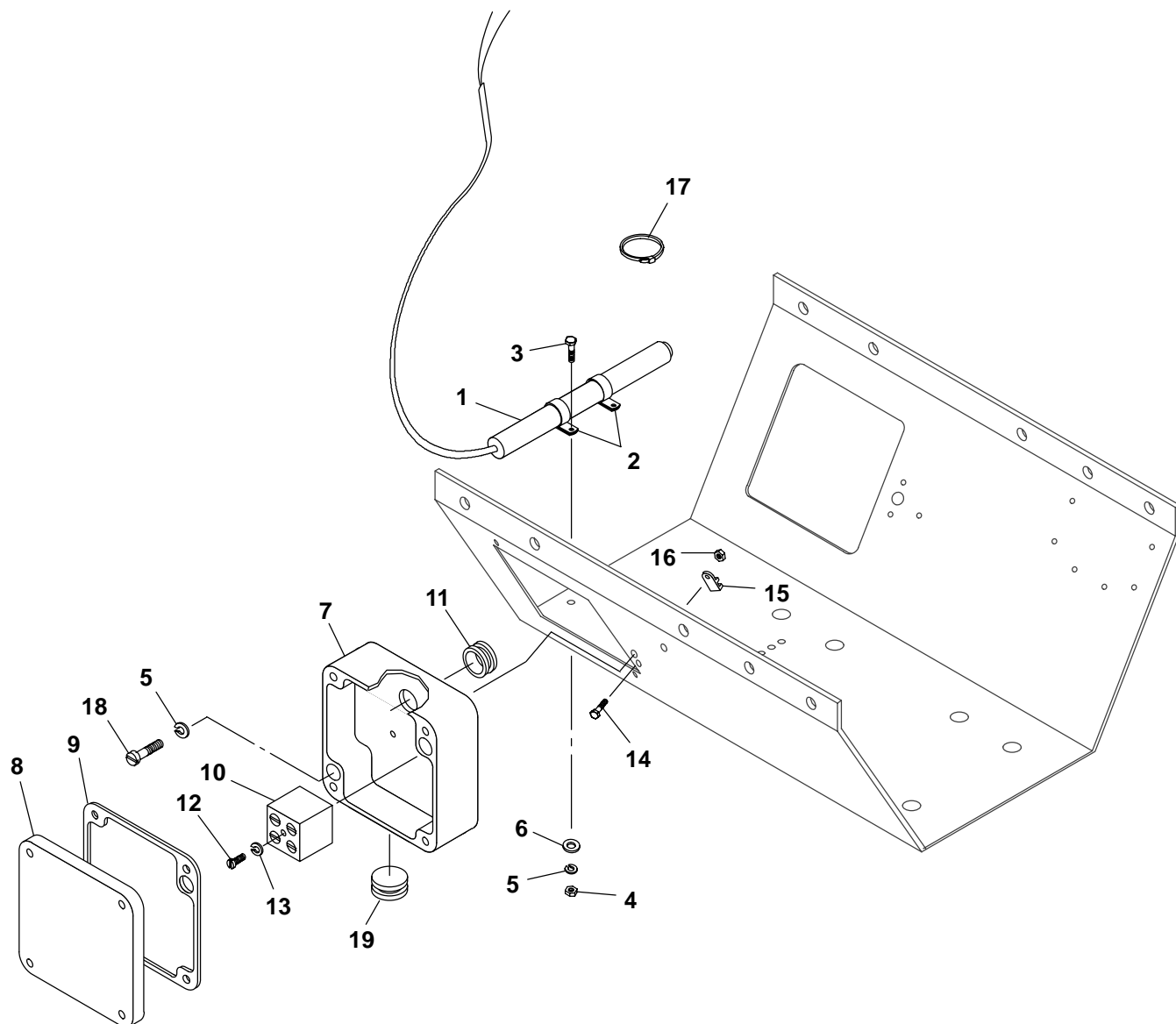
Parts Included in Rectifier Assemblies.

Generator Mounting



REF NO.	PART NO.	QTY USED	PART DESCRIPTION	REF NO.	PART NO.	QTY USED	PART DESCRIPTION
1	805-0018	8	Bolt, Place (3/8-16 x 1")	8	526-2080	8	Washer, Flat (M6)
2	800-2088	8	Screw, Cap - Hex Head M10 x 35mm - UC22 Generator	9	232-3462-01	4	Spacer, Cover
	800-2088	12	M10 x 35mm - UC27 Generator	10	821-2020	4	Screw, Lock (M5 x 10mm)
3	800-2090	4	Screw, Cap - Hex Head (M10 x 45mm) (UC22 Generator)	11	232-3730-03	4	Spacer, Mounting Foot UC22 Generator
4	850-2010	12	Washer, Lock - Spring (M10)	12	232-3730-04	4	UC27 Generator
5	526-0174	8	Washer, Flat (3/8")	12	508-0305-02	-	Edging - Bulk (Order by the Foot - 5 Feet Required)
6	403-5256-02	2	Bracket, Generator Mounting UC22 Generator	13	800-2088	8	Screw, Cap - Hex Head M10 x 35mm - UC22 Generator
	403-5255-02	2	UC27 Generator		800-2113	8	M12 x 30mm - UC27
7	234-0875-01	1	Cover, End Bell	14	850-2010	8	Washer, Lock - Split M10 - UC22 Generator
					850-2012	8	M12 - UC27 Generator

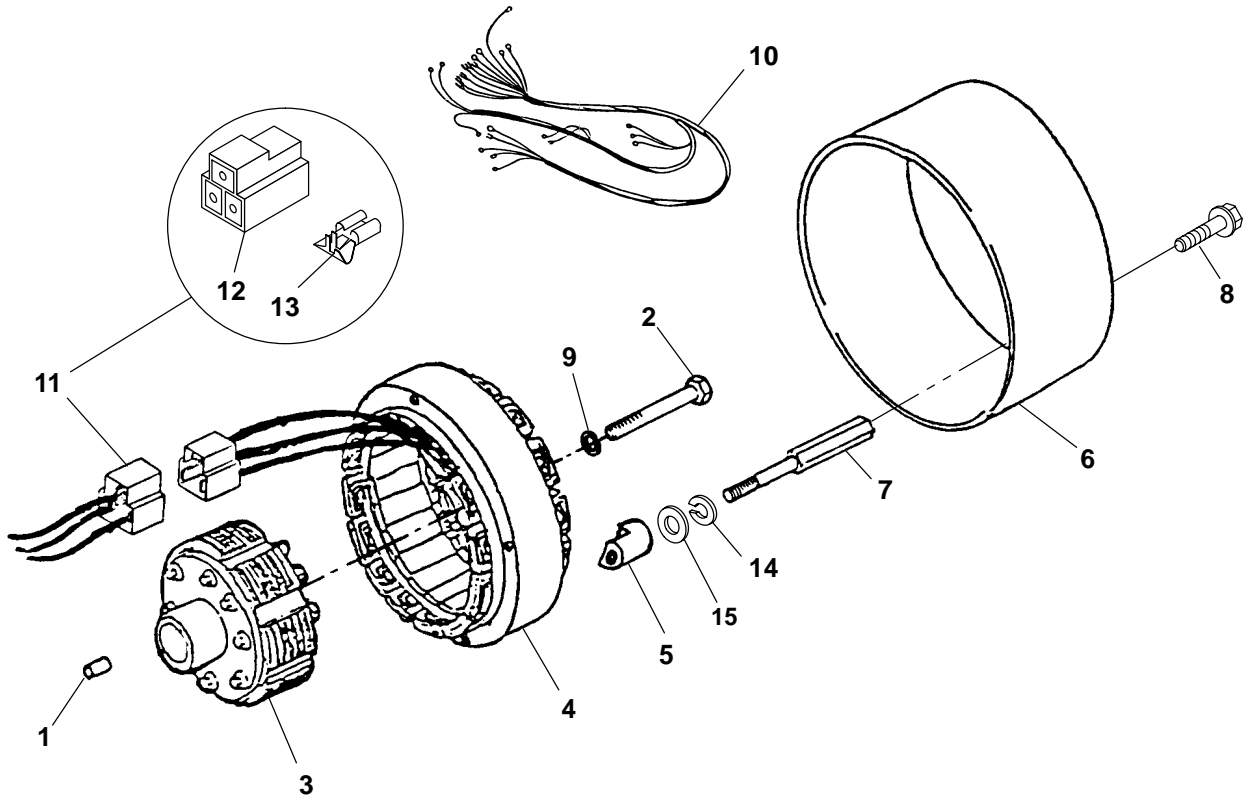
Generator Heater



REF NO.	PART NO.	QTY USED	PART DESCRIPTION	REF NO.	PART NO.	QTY USED	PART DESCRIPTION
	333-0445	1	Kit, Heater (110-125V)	10	332-3023	1	*Block, Terminal
	333-0446	1	Kit, Heater (220-260V)	11	508-0228	1	*Grommet
1			Cartridge, Heater	12	822-3047	1	*Screw, Pan Head (M3 x 20)
	333-0438-07	1	* 110-125 Volts	13	850-2003	1	*Washer, Lock (M3)
	333-0438-08	1	220-260 Volts	14	800-3034	1	*Screw, Cap - Hex Head (M4 x 12mm)
2	332-3024-11	2	*Clamp, Loop	15	332-3228	1	*Mount, Cable Tie
3	822-3075	6	*Screw, Pan Head (M4 x 16)	16	870-2064-01	1	*Nut, Nylon
4	860-2005	2	*Nut, Hex - Steel Machine (M4)	17	332-1389	1	*Tie, Cable
5	850-2004	4	*Washer, Lock - Spring (M4)	18	815-0792-04	2	*Screw, Pan - Crescent Head (M4 x 12mm)
6	526-2050	2	*Washer, Flat (M4)	19	517-0021	1	*Plug, Dot Button
7	330-0142	1	*Box, Terminal - Heater (Includes Cover and Gasket [Ref. No. 8 and 9])	20	98-7281	1	*Label, Heater Warning
8	330-0141-03	1	Cover, Terminal Box				
9	330-0141-04	1	Gasket, Terminal Box				

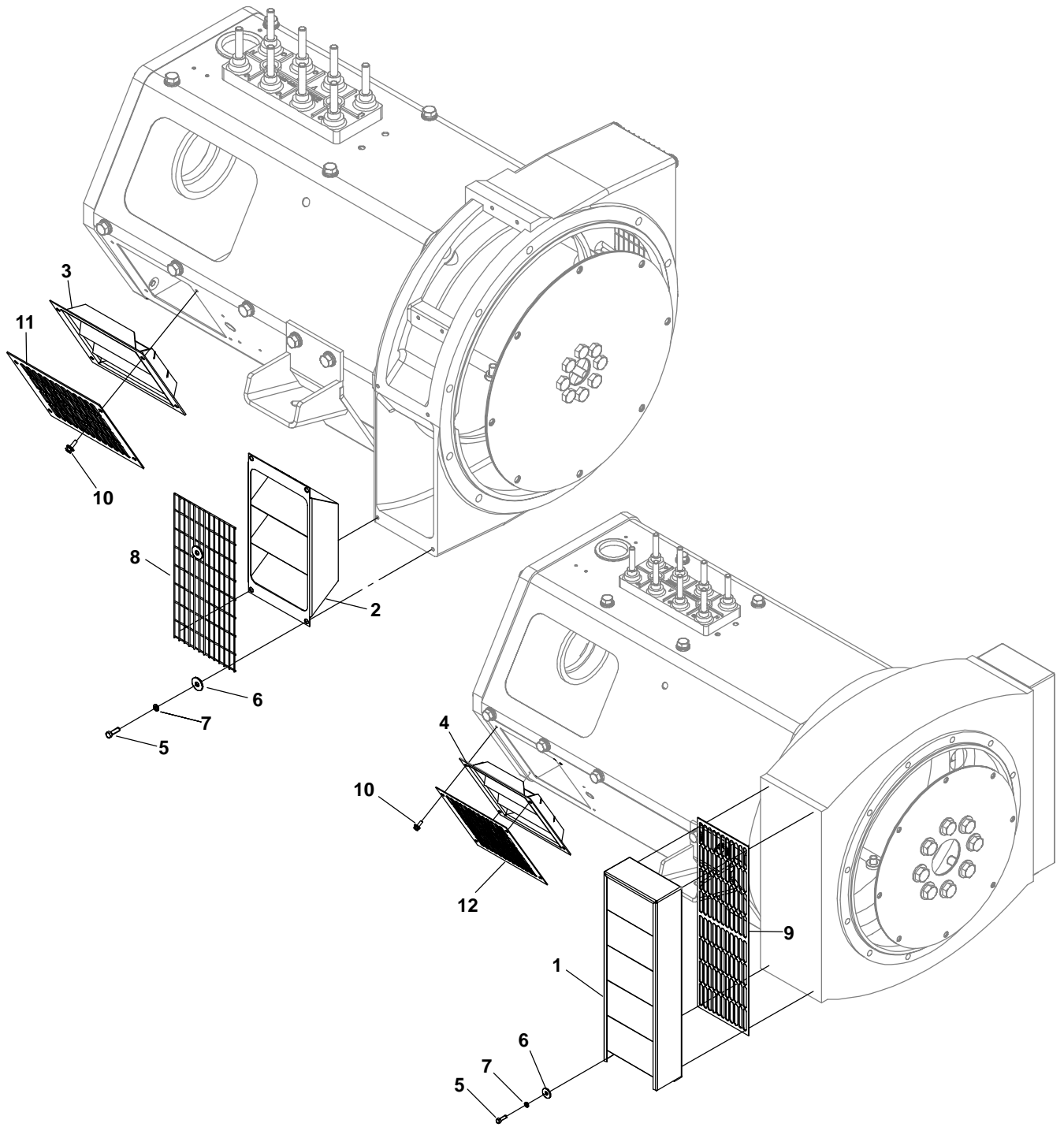
* - All parts included in Kit unless noted.

Permanent Magnet Exciter



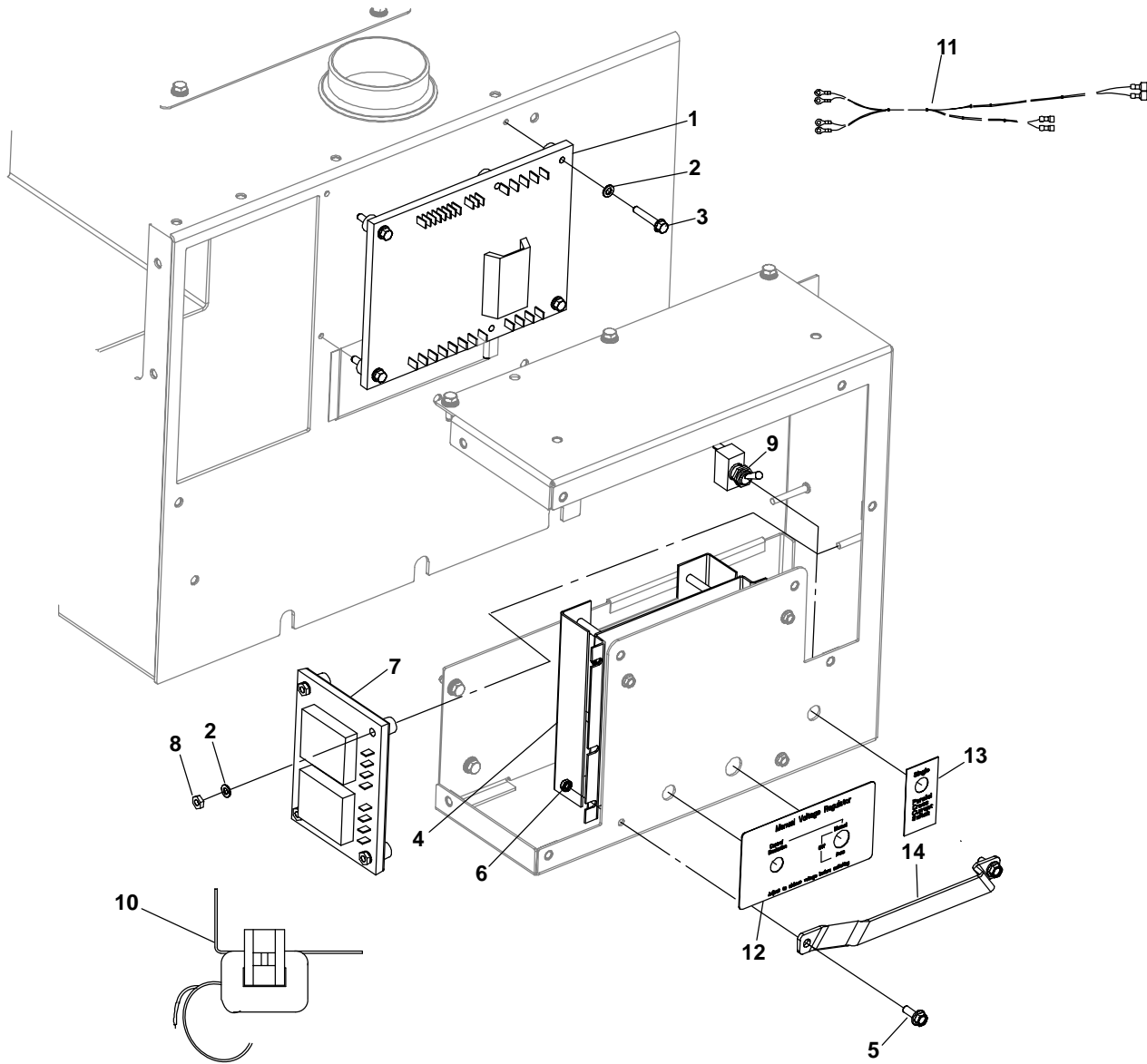
REF NO.	PART NO.	QTY USED	PART DESCRIPTION	REF NO.	PART NO.	QTY USED	PART DESCRIPTION
	300-4676	1	Kit, Regulator-PMG (Includes Parts Marked*)	10	338-3149	1	*Harness, Wiring (AUX-P2, P3, P4 to VR21-P2, P3, P4) (40" Long, 3 Wires)
1	775-0049	1	*Pin, Dowel	11	338-3265	1	*Harness, Wiring (P2, P3, P4 to P2, P3, P4) (30" Long, 3 Wires) (Includes Terminal Housing and Receptacle Terminal [Ref. No. 12 and 13])
2	815-0761-01	1	*Bolt, Hex Head (M10 x 90mm)	12	332-3021	1	Housing, Terminal
3	201-3446	1	*Rotor	13	332-3124	3	Terminal, Receptacle
4	220-4233	1	*Stator	14	850-2006	4	*Washer, Lock - Spring (M6)
5	232-3972	4	Clamp	15	526-2080	4	Washer, Flat
6	234-0875-02	1	*Cover, End Bell				
7	232-3462-02	4	*Spacer				
8	821-6001-01	4	Screw, Self-Locking - Hex Washer Head (M5 x 10mm)				
9	850-2010	1	Washer, Lock - Spring (M10)				

Louver



REF NO.	PART NO.	QTY USED	PART DESCRIPTION	REF NO.	PART NO.	QTY USED	PART DESCRIPTION
1	234-1036-01	2	Louver (Exhaust) UC27 Generator	6	526-0021	8	Washer, Plain (1/4")
2	234-1036-02	2	Louver (Exhaust) UCD22 Generator	7	850-2005	8	Washer Locking Split (M5)
3	234-1037-02	2	Louver (Inlet) UCD22 Generator	8	234-0863	2	Guard Fan (UCD22)
4	234-1037-01	2	Louver (Inlet) UC27 Generator	9	234-0867	2	Guard Fan (UC27)
5	800-2008	8	Screw, Cap - Hex Head (M5 x .8 x 16mm)	10	821-6001-02	8	Screw, Self Locking Hex Washer Head (M5 x 12mm)
				11	234-0878	8	Screen , Air Inlet (UCD22)
				12	234-0879	8	Screen , Air Inlet (UC27)

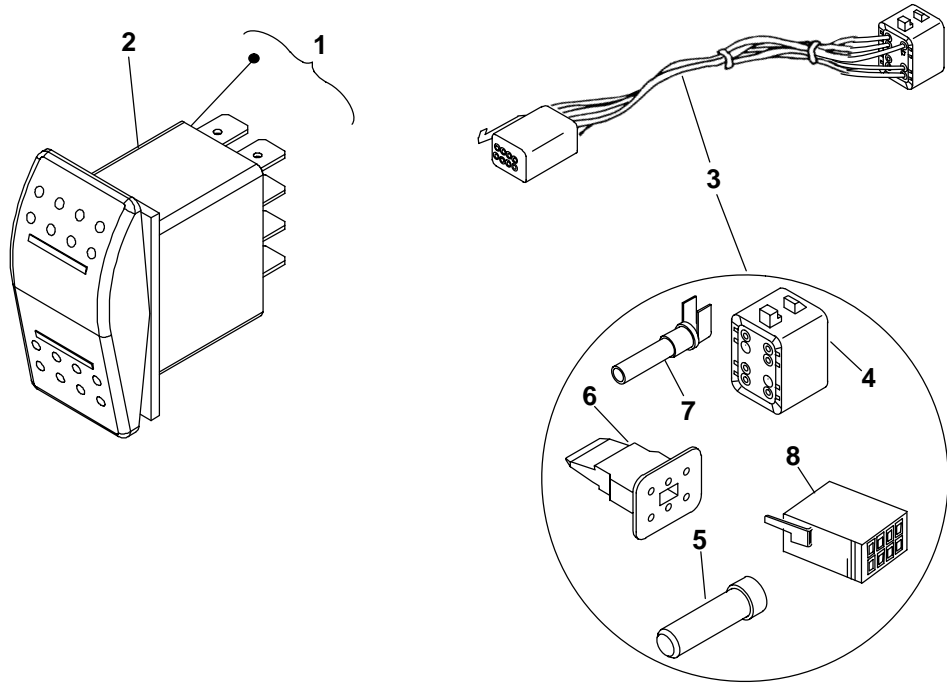
Automatic Voltage Regulator



REF NO.	PART NO.	QTY USED	PART DESCRIPTION	REF NO.	PART NO.	QTY USED	PART DESCRIPTION
	541-1155	1	Kit, Control (Manual Voltage Regulator)	9	308-0069	1	Switch, Toggle CT Optional
1	305-0823	1	Regulator, Voltage -Auto Standard w / PMG	10			Current, Transformer UCD22
2	526-2060	7	Washer, Flat (M5) Standard w / PMG		302-1852-05	1	UCD27
3	815-0793-07	4	Screw, Hex Flange Standard w / PMG	11			Harness, Regulator
4	305-0817	1	*Regulator, Voltage -Manual MVR Optional		338-4489	1	Standard w/ PMG
5	821-0005	4	*Screw, Locking (10-32 x 1/2") MVR Optional		338-4488	1	* MVR Optional
6	870-0131	4	*Nut, Sems EIT (#10-32) MVR Optional		338-4490	1	Transformer
7	305-0868	1	Transformer, PCB ISLN Standard w / PMG	12	98-8290	1	*Label (MVR)
8	870-0427	3	Nut, Hex (#10-32) Standard w / PMG	13	98-2313	1	Label, Cross Current (UCD22 and UC27)
				14	319-5498-03	1	*Guard, Electrical Switch

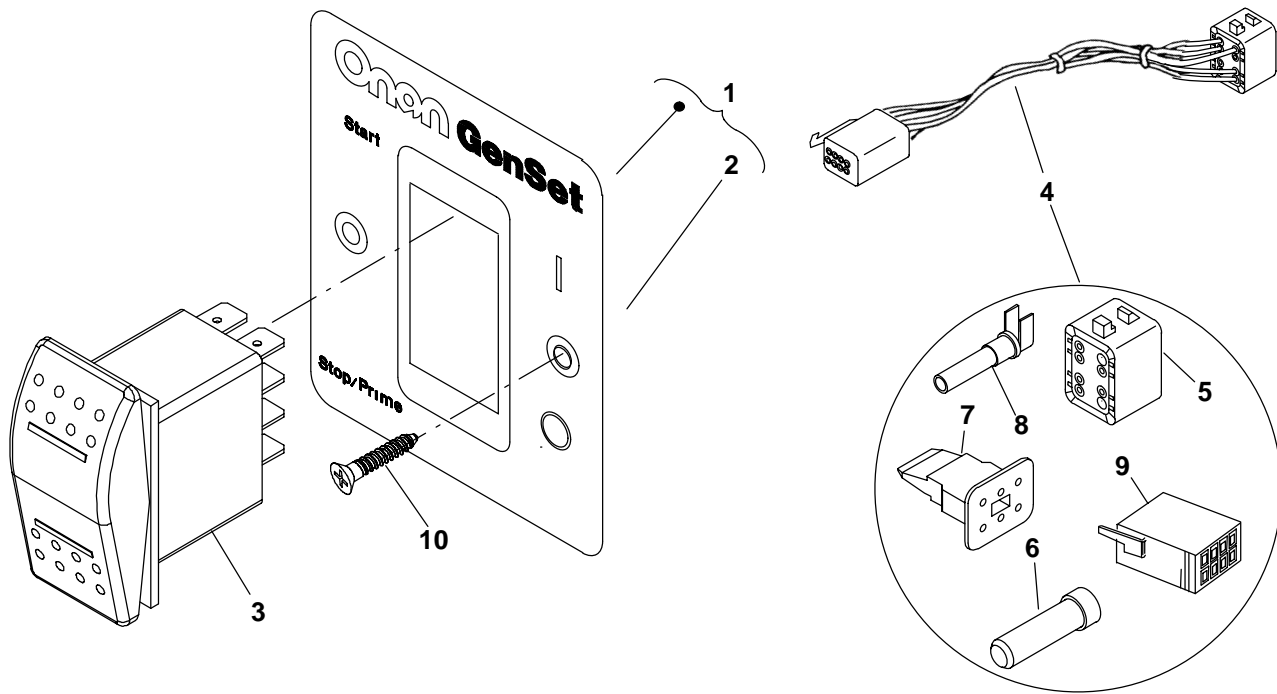
* - Parts included in Control Kit.

Remote Harness



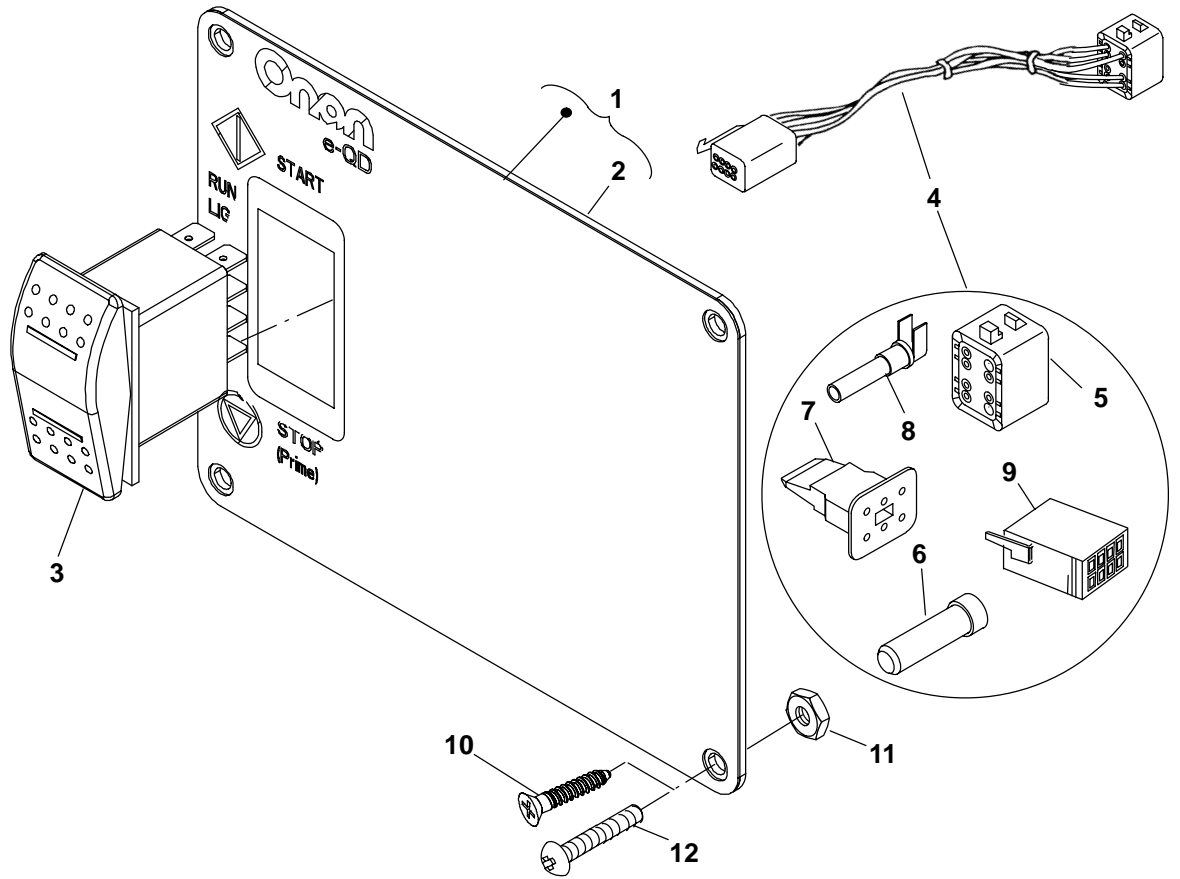
REF NO.	PART NO.	QTY USED	PART DESCRIPTION	REF NO.	PART NO.	QTY USED	PART DESCRIPTION
	541-1131-01	1	Kit, Remote Panel (12)	4	323-1541	1	Plug (8 Pin) (J4)
	541-1131-02	1	Kit, Remote Panel (24V)	5	323-1591	3	Plug, Connector
1	98-8284	1	Label, Instruction	6	323-1543	1	Wedge, Plug (8 Pin)
2	308-1101	1	Switch, Rocker	7	323-1492	6	Pin, Contact
	308-1102	1	12V	8	308-1019	1	Connector, Switch
	308-1102	1	24V				
3	338-3988	1	Harness, Remote Panel (Reaches From Extension Harness to Remote Panel) (Includes Plugs, Wedge and Pin)				

Remote Control Panel



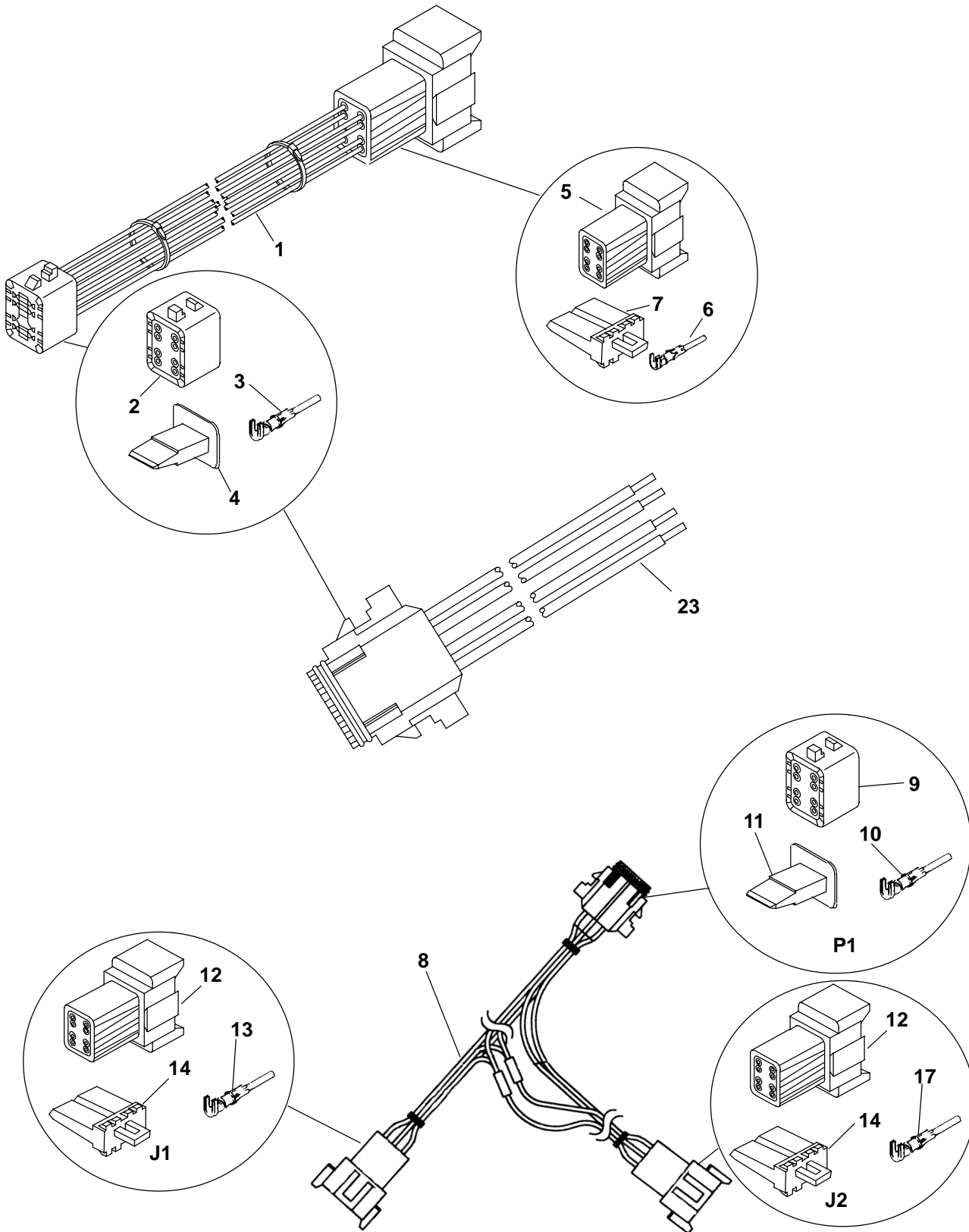
REF NO.	PART NO.	QTY USED	PART DESCRIPTION	REF NO.	PART NO.	QTY USED	PART DESCRIPTION
	300-5899-01	1	Kit, Remote Panel (12V)	5	323-1541	1	Plug (8 Pin) (J4)
	300-5899-02	1	Kit, Remote Panel (24V)	6	323-1591	3	Plug, Connector
1	319-2339-01	1	Panel, Remote (Includes Label)	7	323-1543	1	Wedge, Plug (8 Pin)
2	98-6779-01	1	Label, Panel (Start/Prime)	8	323-1492	6	Pin, Contact
3			Switch, Rocker	9	308-1019	1	Connector, Switch
	308-1101	1	12V	10	815-0910	2	Screw, Wood (#6 x 1)
	308-1102	1	24V				
4	338-3988	1	Harness, Remote Panel (Reaches From Extension Harness to Remote Panel) (Includes Plugs, Wedge and Pin)				

Remote Control Panel

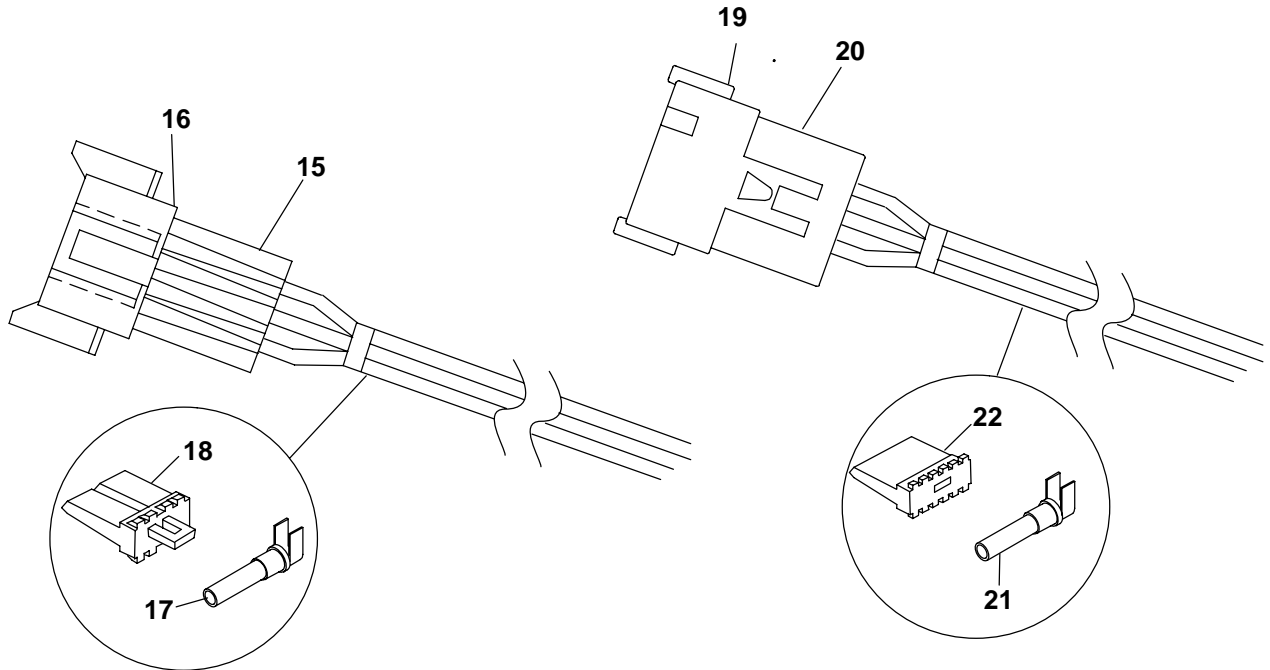


REF NO.	PART NO.	QTY USED	PART DESCRIPTION	REF NO.	PART NO.	QTY USED	PART DESCRIPTION
	541-1129-01	1	Kit, Remote Panel (12V)	5	323-1541	1	Plug (8 Pin) (J4)
	541-1129-02	1	Kit, Remote Panel (24V)	6	323-1591	3	Plug, Connector
1	319-5426-02	1	Panel, Remote (Includes Label)	7	323-1543	1	Wedge, Plug (8 Pin)
2	98-8254	1	Label, Information	8	323-1492	6	Pin, Contact
3			Switch, Rocker	9	308-1019	1	Connector, Switch
	308-1101	1	12V	10	814-2152-01	4	Screw, Flat Head Xrec (6-20 x .75")
	308-1102	1	24V	11	860-2028	4	Nut, Hex (6-32 Low Prof Lock)
4	338-3988	1	Harness, Remote Panel (Reaches From Extension Harness to Remote Panel) (Includes Plugs, Wedge and Pin)	12	815-0845	4	Screw, Pan Head Xrec

Wiring Harnesses



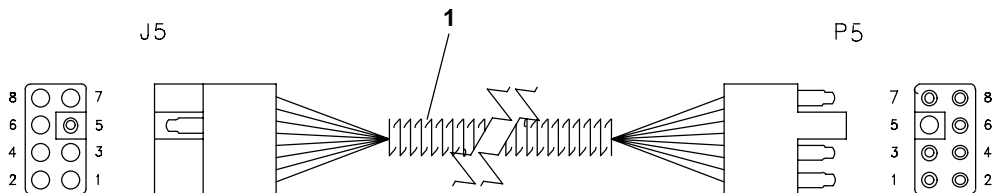
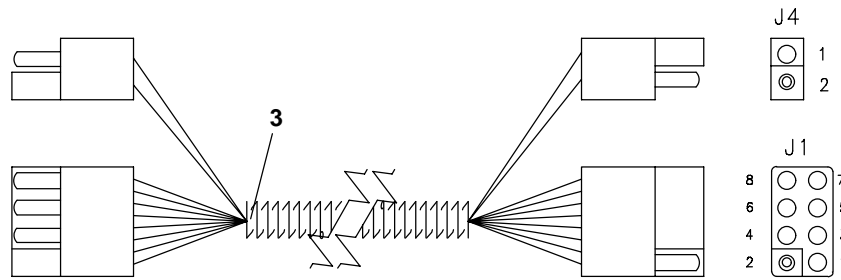
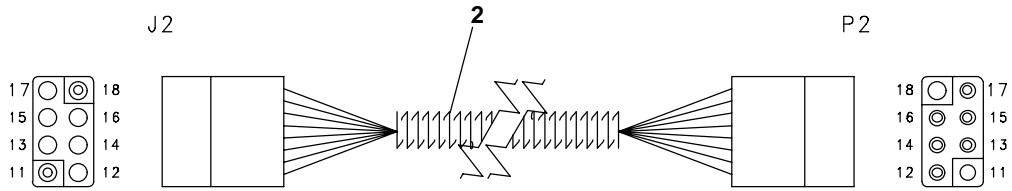
Wiring Harnesses



REF NO.	PART NO.	QTY. USED	PART DESCRIPTION	REF NO.	PART NO.	QTY. USED	PART DESCRIPTION
1			Harness, Remote Extension (Includes Parts Marked #)	15	338-4017	1	Harness, Pigtail (Includes Parts Marked @)
	338-3167	1	15 feet	16	323-1542	1	@ Connector, Receptacle (8 Pin)
	338-3168	1	25 feet	17	323-1491	AR	@ Terminal, Pin
	338-3169	1	45 feet	18	323-1544	2	@ Wedge, Lock (8 Pin)
2	323-1541	1	#% Plug (8 Pin)	19	338-4500	1	Harness, Interface (Includes Parts Marked ~)
3	323-1492	8	#% Terminal, Socket	20	323-1580	1	~ Connector, Receptacle (8 Pin)
4	323-1543	1	#% Wedge, Plug (8 Pin)	21	323-1491	AR	~ Terminal, Pin
5	323-1542	1	# Receptacle, (8 Pin)	22	323-1581	2	~ Wedge, Lock (8 Pin)
6	323-1491	8	# Terminal, Pin	23	338-4223	1	Harness, Remote Panel (Includes Parts Marked %)
7	323-1544	1	# Wedge, Receptacle (8 Pin)				
8	338-4016	1	Harness, Junction (Includes Parts Marked +)				
9	323-1541	1	± Plug, Connector (8 Pin)				
10	323-1492	AR	± Terminal, Socket				
11	323-1543	1	± Wedge, Plug (8 Pin)				
12	323-1542	2	+ Connector, Receptacle (8 Pin)				
13	323-1491	AR	+ Terminal, Pin				
14	323-1544	2	+ Wedge, Lock, Receptacle (8 Pin)				

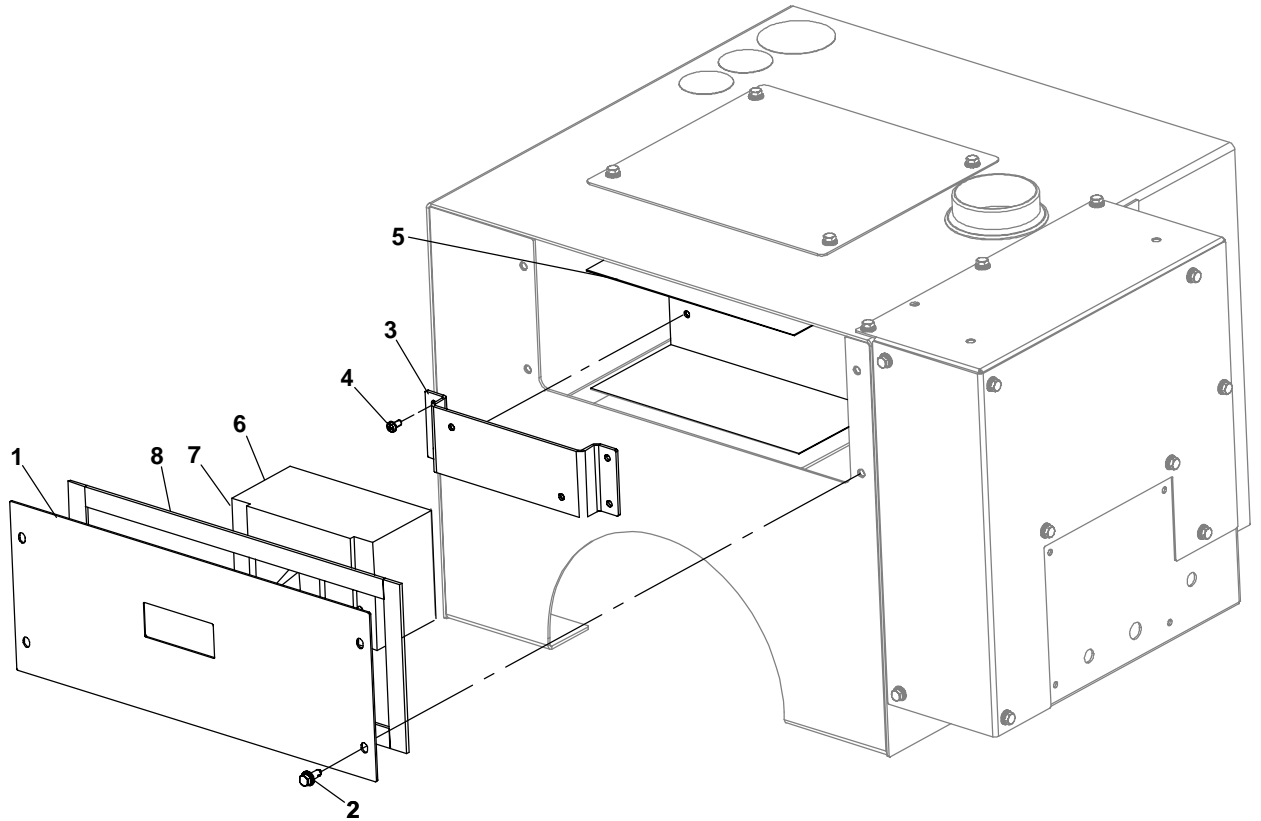
- Parts Included in Remote Extension Harness.
 .+ - Parts Included in Junction Harness.
 .@ - Parts Included in Pigtail Harness.
 .~ - Parts Included in Interface Harness.
 .% - Parts Included in Remote Panel Harness.

Extension Harness



REF NO.	PART NO.	QTY USED	PART DESCRIPTION	REF NO.	PART NO.	QTY USED	PART DESCRIPTION
1	338-2694	1	Harness, Extension AC	3	338-2599	1	Harness, Extension (Standard)
2	338-2597	1	Harness, Extension (Optional)				

Circuit Breaker



REF NO.	PART NO.	QTY USED	PART DESCRIPTION	REF NO.	PART NO.	QTY USED	PART DESCRIPTION
1			Cover, Circuit Breaker	4	819-1154	4	Screw, Pan Head Xrec (M5 x .8 x 10mm)
	319-5309-07	1	No Breaker	5	877-0363	2	Sheet, Insulation (Breaker)
	319-5309-08	1	NSF Breaker	6	-		Circuit, Breaker (See Breaker Page)
	319-5309-09	1	NSJ Breaker	7	91-0002	4	Copper, Strip
2	821-6006-01	4	Screw, Hex Head Sems Stainless (M6 x 1.0 x 16mm)	8	405-8549	1	Gasket, Door (3.3')
3	319-5432-02	1	Bracket, Circuit Breaker (NSF)				

Circuit Breaker

3 POLE – 600/750 VOLT

AMPS	MDDCA	MDDCB	MDDCC	MDDCD	MDDCE	MDDCF
80	320-1959-09					320-1959-09
90	320-1959-08					320-1959-08
100		320-1959-07				320-1959-07
125		320-1959-06	320-1959-06			
150	320-1959-05		320-1959-05	320-1959-05		320-1959-05
175	320-1959-04			320-1959-04		320-1959-04
200		320-1959-03			320-1959-03	320-1959-03
225	320-1959-02	320-1959-02			320-1959-02	320-1959-02
250		320-1959-01	320-1959-01			

3 POLE – 600/750 VOLT

AMPS	MDDCG	MDDCH	MDDCJ			
80						
90						
100	320-1959-07					
125	320-1959-06					
150		320-1959-05				
175		320-1959-04	320-1959-04			
200	320-1959-03		320-1959-03			
225	320-1959-02					
250	320-1959-01					

3 POLE – 600/690 VOLT NSJ

AMPS	MDDCA	MDDCB	MDDCC	MDDCD	MDDCE	MDDCF
600						
500					320-1960-02	
450						
400				320-1960-04	320-1960-04	
350					320-1960-05	
300			320-1960-06	320-1960-06		
250		320-1960-11	320-1960-11			

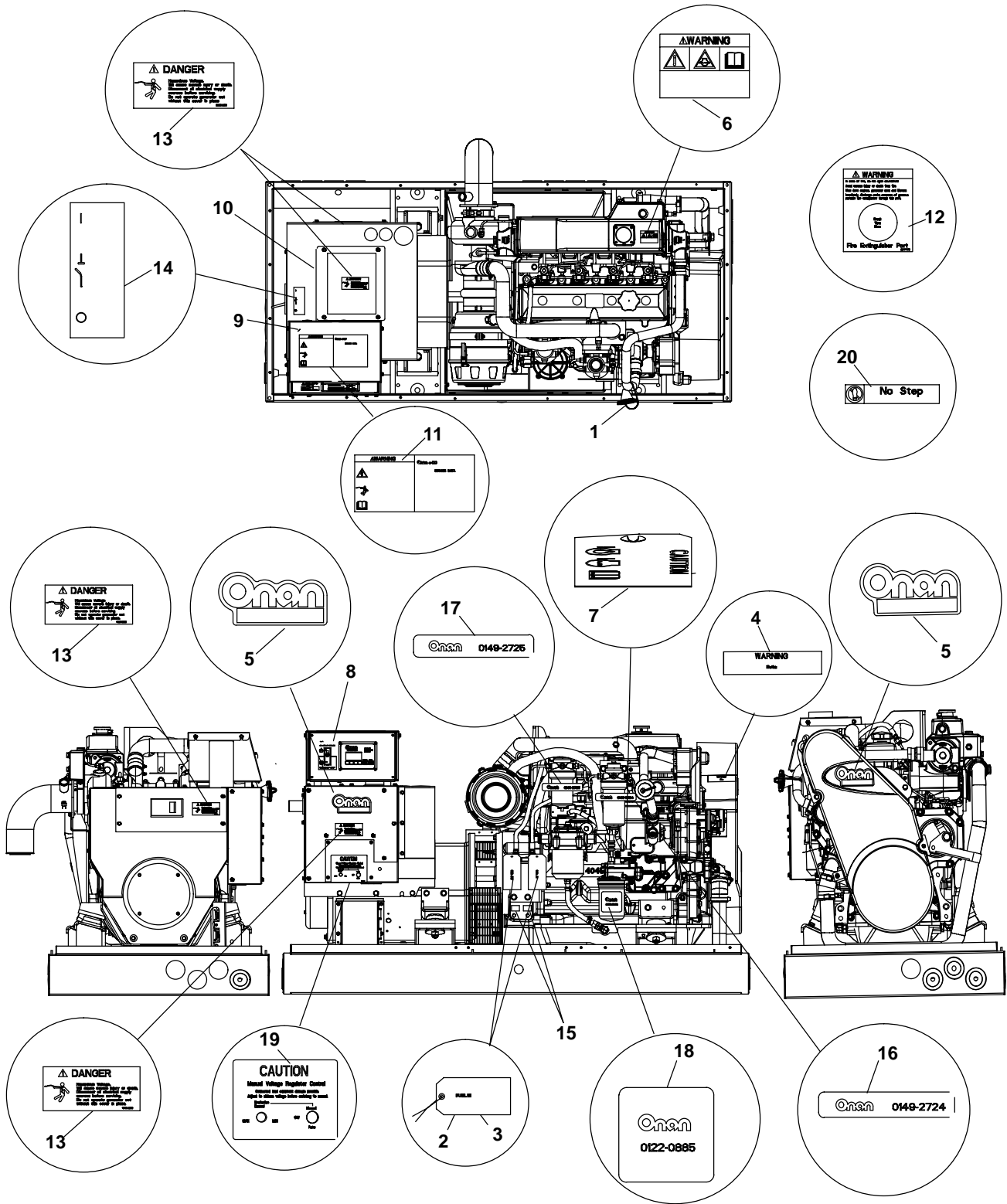
3 POLE – 600/690 VOLT NSJ

AMPS	MDDCG	MDDCH	MDDCJ			
600						
500						
450						
400			320-1960-04			

3 POLE – 600/690 VOLT NSJ

AMPS	MDDCG	MDDCH	MDDCJ			
350		320-1960-05	320-1960-05			
300		320-1960-06	320-1960-06			
250	320-1960-11	320-1960-11				

Labels and Tag



Labels

REF NO.	PART NO.	QTY USED	PART DESCRIPTION	REF NO.	PART NO.	QTY USED	PART DESCRIPTION
1	508-1203	3	Grommet	17			Label, Information
2	98-3171	1	Tag, Fuel Line		98-8304	1	MDDCA, MDDCB, MDDCC, MDDCF and MDDCG
3	98-3172	1	Tag, Fuel Line				
4	98-6995	1	Label, Warning		98-8306	1	MDDCD, MDDCE, MDDCH and MDDCJ
5			Label, Onan E-QD				
	98-7850	2	No Housing	18	98-8307	1	Label, Information
	98-7850	3	Housing	19	98-8290	1	Label, Caution
6			Label, Warning	20	98-8298	2	Label, Information (No Step) (Housed)
	98-7871	1	No Housing				
	98-7871	2	Housing	21	98-4798-01	4	Label, Warning (Rotating Parts)
7	98-7874	1	Tag, Caution	22	98-4732	1	Label, Warning (Hazardous Voltage and Rotating Parts)
8	98-8253	1	Label, Information				
9	98-8255	1	Label, Control (DC)	23	98-5842	1	Label, Caution
10	98-8269	2	Label, Information	24	98-6320	1	Label, Voltage Adjustment
11	98-8278	1	Label, Warning	25	98-7644	1	Label, DNV Type Product Approved
12	98-7472	1	Label, Warning (Housed)				
13	98-8291	4	Label, Danger	26	98-2124	1	Tag, Warning (Oil and Coolant Levels)
14	98-8297	1	Label, Information				
15	98-8075	2	Label, Instruction	27	98-7682	1	Label, Model Identification
16			Label, Information	28	98-5387	1	Label, Danger
	98-8303	1	MDDCA, MDDCB, MDDCC, MDDCF and MDDCG				
	98-8305	1	MDDCD, MDDCE, MDDCH and MDDCJ				

Numerical Index

<u>Part No.</u>	<u>Page</u>	<u>Part No.</u>	<u>Page</u>	<u>Part No.</u>	<u>Page</u>	<u>Part No.</u>	<u>Page</u>
091-0002, 75		123-2243-03, 20		147-0887, 17		193-0574, 7	
098-2124, 79		123-2246, 27, 28		147-0888, 17		201-3434-02, 61	
098-2313, 68		123-2249, 7, 26		147-0889, 17		201-3434-03, 61	
098-3171, 79		123-2250, 26		149-2722, 14		201-3446, 66	
098-3172, 79		123-2252, 26		149-2723, 14		201-3497-01, 61	
098-4732, 79		123-2255, 7		149-2724, 15		201-3497-02, 61	
098-4798-01, 79		123-2256, 8		149-2725, 15		201-3497-03, 61	
098-5387, 79		123-2257, 8		149-2727, 21		201-3497-04, 61	
098-5842, 79		123-2258, 8		149-2728, 14		201-3557-03, 61	
098-6320, 79		127-0461, 10		149-2729, 14		201-3557-04, 61	
098-6398, 26		127-0462, 10		149-2730, 14, 15		211-0422, 63	
098-6995, 79		130-3570, 34		149-2731, 15		211-0423, 63	
098-7281, 65		130-3571, 34		149-2732, 15		220-4233, 66	
098-7472, 79		130-3572, 34		149-2733-01, 22		220-4293-08, 63	
098-7644, 79		130-3573, 34		149-2733-02, 22		220-4293-09, 63	
098-7682, 79		130-3574, 34		149-2735-03, 22		220-4628-04, 61	
098-7850, 79		130-6119-01, 31		150-2829, 7		220-4628-08, 61	
098-7871, 79		130-6119-02, 31		154-3183, 32		220-4628-09, 61	
098-7874, 79		130-6145-01, 36, 43		154-3184, 32		220-4629-02, 61	
098-8075, 79		130-6209-03, 32		154-3186, 12		220-4629-03, 61	
098-8253, 79		130-6210-03, 32		155-4186-01, 38		220-4629-04, 61	
098-8254, 58, 71		130-6215-03, 32		155-4186-02, 38		220-4629-07, 61	
098-8255, 79		130-6226, 47		155-4222, 39, 41		220-4629-09, 61	
098-8269, 79		130-6227, 47		155-4245-01, 38, 39, 41		231-0316, 61	
098-8278, 79		130-6228, 45		155-4245-03, 42		231-0317, 61	
098-8284, 69		130-6261, 12		155-4263, 38, 39, 40, 41, 42		231-0318, 61	
098-8290, 79		130-6262, 47		155-4266, 39, 40		231-0319, 61	
098-8291, 79		130-6263, 47		155-4283, 39, 41		232-3438, 61	
098-8297, 79		130-6264, 47		155-4299, 41, 42		232-3441, 63	
098-8298, 79		130-6265, 13		166-0770, 58		232-3452, 63	
098-8303, 79		130-6266, 45		190-0719-01, 49		232-3454, 63	
098-8304, 79		130-6267, 45		190-0719-02, 49		232-3462-01, 64	
098-8305, 79		130-6268, 45		190-0724-01, 49		232-3462-02, 66	
098-8306, 79		130-6269, 45		190-0724-02, 49		232-3695, 61	
098-8307, 79		130-6270, 46		190-0819-01, 49		232-3699, 61	
102-1517, 9		130-6272, 12		190-0819-02, 49		232-3730-03, 63, 64	
102-1518, 25		130-6273, 45		190-0822-03, 56		232-3730-04, 63, 64	
102-1519, 25		132-0433, 37		190-0823-03, 56		232-3819-02, 63	
102-1520, 7		132-0434, 36		191-2354, 29		232-3819-03, 63	
102-1521, 9		132-0435, 36		191-2357, 13		232-3820-01, 63	
102-1522, 25		132-0436, 36, 43		191-2358, 13		232-3820-02, 63	
115-0507, 7		132-0437, 36, 43		191-2359, 29		232-3972, 66	
115-0508, 7		132-0438, 48		191-2360, 29		234-0863, 67	
122-0885, 23, 24		132-0439, 48		191-2361, 13		234-0867, 67	
122-0888, 23		132-0440, 37		191-2362, 13		234-0875-01, 64	
122-0889, 23		132-0441, 46		191-2363, 29		234-0875-02, 66	
122-0890, 24		134-5299-02, 53, 55		193-0468, 43		234-0878, 67	
122-0891, 24		140-3584-03, 11		193-0557-02, 26		234-0879, 67	
123-2120, 27, 28		140-3589, 11		193-0573, 47		234-0936-02, 61	

Numerical Index

<u>Part No.</u>	<u>Page</u>	<u>Part No.</u>	<u>Page</u>	<u>Part No.</u>	<u>Page</u>	<u>Part No.</u>	<u>Page</u>
234-0937-01, 61		319-5498-03, 68		333-0445, 65		403-5331-02, 53	
234-0937-02, 61		320-1959-01, 76		333-0446, 65		403-5332-02, 55	
234-1029, 7		320-1959-02, 76		333-0702-01, 35		403-5355-01, 51	
234-1030, 7		320-1959-03, 76		333-0702-02, 35		403-5355-02, 51	
234-1031, 25		320-1959-04, 76		333-0704-01, 35		403-5355-03, 51	
234-1036-01, 67		320-1959-05, 76		333-0704-02, 35		403-5420-03, 40	
234-1036-02, 67		320-1959-06, 76		335-0240, 35		403-5448-03, 26	
234-1037-01, 67		320-1959-07, 76		335-0241, 35		405-7257, 53, 55	
234-1037-02, 67		320-1959-08, 76		337-0090, 51, 57		405-7781-09, 53, 55	
300-4676, 66		320-1959-09, 76		337-2785, 58		405-7781-10, 53, 55	
300-5885, 58		320-1960-02, 76		337-3466, 58		405-7781-11, 53	
300-5899-01, 70		320-1960-04, 76		338-2597, 74		405-7781-12, 55	
300-5899-02, 70		320-1960-05, 76, 77		338-2599, 74		405-7795-03, 53	
302-1852-05, 68		320-1960-06, 76, 77		338-2694, 74		405-7796-03, 53, 55	
302-1852-06, 68		320-1960-11, 76, 77		338-3149, 66		405-7797-03, 53, 55	
302-2048, 58		320-2219, 58		338-3167, 73		405-7802-03, 53, 55	
304-0807, 61		323-1491, 73		338-3168, 73		405-7805-03, 53, 55	
305-0817, 68		323-1492, 69, 70, 71, 73		338-3169, 73		405-7813, 53, 55	
305-0823, 68		323-1541, 69, 70, 71, 73		338-3265, 66		405-7814, 53, 55	
305-0837-02, 57		323-1542, 73		338-3988, 69, 70, 71		405-7815, 53	
305-0837-04, 57		323-1543, 69, 70, 71, 73		338-4016, 73		405-7816, 53, 55	
305-0868, 68		323-1544, 73		338-4017, 73		405-7817, 53, 55	
307-1617, 30		323-1580, 73		338-4223, 73		405-7818, 55	
307-2656, 30		323-1581, 73		338-4439, 58		405-7819, 53, 55, 56	
307-2767, 58		323-1591, 69, 70, 71		338-4488, 68		405-7820, 53, 55	
307-2819, 58		323-2178, 45		338-4489, 68		405-7822, 53, 55	
308-0069, 68		323-2179, 45		338-4490, 68		405-7823, 53, 55	
308-1019, 69, 70, 71		323-2180, 8		338-4500, 73		405-7824, 53, 55	
308-1101, 58, 69, 70, 71		323-2182, 25		338-4574, 26		405-7857-02, 53, 55	
308-1102, 58, 69, 70, 71		323-2183, 23		357-0091, 61		405-7858, 53, 55, 56	
309-0597-02, 38		323-2185, 24		357-0092, 61		405-7859, 53, 55	
309-0597-03, 38		323-2186, 23, 24		358-0135-01, 61		405-7860, 53, 55	
309-0619, 26		327-1444-01, 58		358-0135-02, 61		405-7911-03, 55	
309-0667, 43		327-1450, 59		402-0610, 26, 58		405-7912-03, 55	
319-2339-01, 70		330-0141-03, 65		402-0824-01, 51		405-7914-03, 53	
319-5296-03, 59		330-0141-04, 65		402-0824-02, 51		405-8015-02, 53, 55	
319-5301-03, 57		330-0142, 65		402-0824-03, 51		405-8023-03, 53, 55	
319-5307-03, 57		332-0941, 20		402-0825-01, 51		405-8024, 55	
319-5309-07, 75		332-1389, 65		402-0825-02, 51		405-8024-03, 53	
319-5309-08, 75		332-2370, 58		402-0835-02, 51		405-8031-03, 55	
319-5309-09, 75		332-3021, 66		402-0858, 58		405-8033, 55	
319-5310-03, 57		332-3023, 65		403-5201-04, 51		405-8042-03, 53	
319-5311-03, 57		332-3024-11, 65		403-5201-05, 51		405-8043-03, 55	
319-5350-03, 57		332-3124, 66		403-5201-06, 51		405-8051-03, 53, 55	
319-5381-03, 58		332-3227, 61		403-5202-03, 51		405-8052-03, 53, 55	
319-5382-03, 58		332-3228, 65		403-5255-02, 64		405-8053-03, 53, 55	
319-5383-02, 58		332-4112-03, 59		403-5256-02, 64		405-8064, 53	
319-5426-02, 58, 71		333-0438-07, 65		403-5260-02, 53		405-8065, 55	
319-5432-02, 75		333-0438-08, 65		403-5283-03, 11		405-8067, 53	

Numerical Index

<u>Part No.</u>	<u>Page</u>	<u>Part No.</u>	<u>Page</u>	<u>Part No.</u>	<u>Page</u>	<u>Part No.</u>	<u>Page</u>
405-8094-03,	53, 55	503-1136,	27, 28	505-2218,	27	517-0369,	36
405-8096,	53, 55	503-1137,	27, 28	505-2219,	26	518-0083,	61
405-8097-01,	53	503-1138,	32, 36, 43	505-2220,	27, 28	518-0122,	61
405-8097-02,	55	503-1140,	33, 43	505-2223,	27, 28	518-0548-29,	38, 39, 41, 42
405-8099-03,	56	503-1418,	26	505-2226,	27	518-0548-43,	36
405-8200,	56	503-1692,	34	505-2232,	32	526-0018,	26
405-8201,	56	503-1872-05,	11	508-0021,	53, 55, 56	526-0021,	67
405-8202,	56	503-1872-07,	11	508-0228,	65	526-0030,	57
405-8235,	53, 55	503-2309,	27, 28, 33	508-0305-02,	64	526-0052,	58
405-8236,	53, 55	503-2352,	33	508-0319,	61	526-0174,	64
405-8277,	53, 55	503-2433-04,	28	508-0333,	53, 55, 57, 58	526-0259,	61
405-8281,	53, 55	503-2433-05,	27	508-1057,	63	526-0399-13,	58
405-8549,	57, 75	503-2476,	11	508-1105,	58	526-0399-43,	11
406-1050,	53, 55	503-2477,	11	508-1116,	57	526-0399-58,	11
406-1055,	53, 55	503-2494,	20	508-1152,	57	526-0399-60,	31, 38, 39, 41, 42
501-0852,	18	503-2495,	20	508-1203,	33, 51, 53, 55, 57, 79	526-0399-62,	63
501-0853,	18	503-2496,	26	508-1209,	53, 55	526-0399-64,	20, 22, 32, 36, 38, 39, 40, 41, 42, 51, 63
501-0854,	18	503-2498,	36, 43	509-0266-01,	61	526-0399-66,	51
501-0855,	18	503-2499,	43	509-0266-02,	61	526-0399-73,	11
501-0856,	37	503-2504-01,	28	509-0392,	53, 55	526-0423,	63
501-0857,	16	503-2504-02,	27	509-0393,	53, 55	526-2050,	59, 61, 65
501-0858,	16	503-2509,	43	509-0398,	7	526-2060,	61, 68
501-0859,	16	503-2510,	43	509-0399,	45	526-2080,	64, 66
501-0860,	16	503-2511-01,	36	509-0400,	45	541-1124,	32
501-0861,	10	503-2511-02,	36	509-0401,	21	541-1126-01,	53
501-0862,	10	503-2511-03,	32	509-0402,	25, 48	541-1127-01,	55
501-0863,	19	503-2520,	12	509-0403,	37	541-1128-01,	31
501-0864,	19	503-2521,	12	509-0404,	46	541-1128-02,	31
501-0865,	19	503-2522,	45, 46	509-0405,	25	541-1129-01,	71
501-0866,	19	503-2523,	45	509-0406,	23	541-1129-02,	71
501-0867,	19	503-2524,	45	509-0407,	7	541-1130,	58
501-0868,	19	503-2525,	45	510-0164,	61	541-1131-01,	69
501-0869,	16	503-2526,	45	510-0165,	61	541-1131-02,	69
501-0870,	16	503-2527,	46	511-0215,	13	541-1134,	38
501-0871,	16	503-2528,	46	512-0289,	13	541-1136,	38
502-0029,	43	503-2529,	46	512-0290,	13	541-1137,	38
502-0029-04,	26, 36, 43	503-2530,	12	512-0291,	13	541-1138,	7
502-0164,	43	503-2531,	45	512-0292,	13	541-1139-01,	49
502-0313,	26	503-2532,	45	514-0138-09,	57	541-1139-02,	49
502-0401,	27, 28	503-2533,	43	515-0298-02,	61	541-1140,	56
502-0775,	27, 28	503-2534,	22	515-0298-03,	61	541-1144,	14, 15
502-1043-03,	26	504-0017,	36, 43	517-0021,	65	541-1145,	14
502-1367-04,	28	504-0200,	27, 28	517-0131-03,	53, 55	541-1146,	48
502-1425-02,	33	504-0223,	33	517-0135,	63	541-1147,	48
502-1498,	27, 28	504-0269,	45	517-0136,	58	541-1152,	33
502-1499,	27, 28	504-0270,	45	517-0138-04,	51	541-1155,	68
502-1502,	28	505-0057,	39, 40	517-0138-07,	57	541-1158-01,	22
502-1516-01,	33	505-1489,	20	517-0138-09,	51		
503-0731,	26	505-2215,	27				

Numerical Index

<u>Part No.</u>	<u>Page</u>	<u>Part No.</u>	<u>Page</u>	<u>Part No.</u>	<u>Page</u>	<u>Part No.</u>	<u>Page</u>
541-1158-02,	22	800-3017-54,	51, 63	819-1154,	75	856-0006 ,	58
720-1119,	61	800-3017-55,	63	821-0005,	68	856-0010,	57
725-1075,	11	800-3017-72,	49	821-0008,	58	856-0013,	51, 57
725-1101,	11	800-3017-82,	51	821-0010,	58	860-2005,	61, 65
775-0049,	66	800-3023,	55	821-2020,	64	860-2006,	61
800-0310-04,	58	800-3024,	59	821-2023,	59	860-2028,	71
800-2008,	67	800-3034,	65	821-2097-06,	31	860-2059,	57
800-2042,	63	800-6085,	57	821-6001-01,	22, 53, 55, 66	862-0026-54,	11
800-2046,	63	800-6318,	7	821-6001-02,	67	862-0026-56,	31
800-2088,	64	800-6319,	47	821-6002-04,	31	862-0026-57,	51
800-2090,	64	800-6320,	45	821-6003-01,	32	862-0026-58,	51
800-2113,	64	800-6321,	45	821-6004-01,	31, 32, 51	870-0131,	68
800-3009,	61	800-6322,	48	821-6006-01,	30, 38, 39, 41,	870-0212,	26
800-3017-01,	49	800-6323,	48		42, 51, 53, 55, 56, 57, 58,	870-0221,	38
800-3017-02,	11	800-6324,	36		75	870-0427,	68
800-3017-04,	49	805-0018,	64	822-3047,	65	870-0550-05,	58
800-3017-18,	38, 39, 41, 42	814-2152-01,	71	822-3075,	65	870-2054,	26
800-3017-20,	63	814-2155-01,	58	850-0114-54,	63	870-2064-01,	61, 65
800-3017-37,	63	815-0761-01,	66	850-0114-55,	61, 63	870-2065-01,	58
800-3017-38,	27, 28, 63	815-0792-04,	65	850-1114-55,	63	870-2065-03,	31
800-3017-41,	61	815-0793-07,	68	850-1114-56,	63	870-2228,	58
800-3017-42,	61	815-0845,	58, 71	850-2003,	65	877-0363,	75
800-3017-44,	61	815-0910,	70	850-2004,	61, 65	895-0395,	53, 55
800-3017-52,	20, 22, 36, 38,	818-0231-01,	53, 55	850-2005,	61, 67	895-0411,	53, 55
	39, 40, 41, 42	818-0231-02,	53, 55	850-2006,	63, 66	98-6779-01,	70
800-3017-53,	32	818-1150-03,	58	850-2010,	64, 66	98-8290,	68
				850-2012,	64		