

Cummins **Onan** Marine Accessories



Performance you rely on.™



Introduction
Cummins Onan Marine Generators 1

Sound Shields and Belt Guards
Sound Shields.....2
Belt Guards.....3

Electrical System Accessories
Set-Mounted Gauges and Displays4
Network Interface Modules8
Remote Panels, Gauges and Displays10
Harnesses16
Dual Gauge Panel Momentary Switch21
Isolated Ground Conversions.....22
AC Transfer Switches23
DC Terminal Boot Kit24
Low Coolant Level Switch25
Low Oil Level Switch26
AC Output Breakers27
Batteries30
Alternator Space Heater31
Manual Voltage Control32

Power Take Off Conversions33

Vibration Isolators.....35

Cooling System Accessories
Siphon Break36
Raw Water Inlet Conversions37
Keel Cooling Conversions for Wet and Dry Exhaust39
Keel Cooling Expansion Tank.....41
Coolant Heater42

Exhaust Accessories
Exhaust Outlet Conversions43
Wet Exhaust Mufflers, Water Separators, Resonators45
Wet Exhaust Hose and Elbow52
Dry Exhaust Conversion, Mufflers, Flexible Exhaust Tubes54

Fuel System Accessories
Fuel System Connection Kits58
Fuel Water Separator60
Hose Barbs and Pipe Adapters61
Auxiliary Electric Fuel Pump.....63

Service Part
Cruise Kits.....64
Paint65

Part Number Index66

Introduction

Cummins Onan Marine Generators

This catalog lists all accessories for the Cummins Onan QG™ and QD™ Series Marine Generator Set models below.

Spec sheet number	kW (50/60 Hz)	Model
QD Series		
A-1419	4/5 kW QD	MDKAU
A-1432	7/9 kW QD	MDKAV
A-1453	7/9 kW QD Space Saver	MDKBG
A-1433	9.5/11.5 kW QD	MDKAW
A-1434	11/13.5 kW QD	MDKAZ
A-1448	13.5/17 kW QD	MDKBD
A-1449	17.5/21.5 kW QD	MDKBE
A-1450	22.5/27.5 kW QD	MDKBF
QD Series (networked models)		
A-1475	4/5 kW QD	MDKBH
A-1476	7/9 kW QD	MDKBL
A-1477	7/9 kW QD Space Saver	MDKBK
A-1478	9.5/11.5 kW QD	MDKBM
A-1479	11/13.5 kW QD	MDKBN
A-1480	13.5/17 kW QD	MDKBP
A-1481	17.5/21.5 kW QD	MDKBR
A-1482	22.5/27.5 kW QD	MDKBS
A-1494	22.5/27.5 kW QD	MDKBT
A-1488	27/32 kW QD	MDKBU
A-1461	40 kW QD 60 Hz	MDDCA
A-1462	55 kW QD 60 Hz	MDDCB
A-1466	65 kW QD 60 Hz	MDDCC
A-1467	80 kW QD 60 Hz	MDDCD
A-1468	99 kW QD 60 Hz	MDDCE
A-1469	40 kW QD 50 Hz	MDDCF
A-1470	50 kW QD 50 Hz	MDDCG
A-1471	65 kW QD 50 Hz	MDDCH
A-1472	80 kW QD 50 Hz	MDDCJ
QG Series		
A-1454	8 kW QG 60 Hz	MGKBD
A-1455	8/10 kW QG	MGKBC

An index by part number is located in the back of the catalog. Specifications subject to change without notice.

Onan e-QD models are now QD; Onan e-QG models are now QG.

Sound Shields and Belt Guards

PART NUMBER

0541-0588 Sound Shield
 0541-0589 Sound Shield
 0541-0830-01 Sound Shield
 0541-0830-02 Sound Shield
 0541-1126-01 Sound Shield
 0541-1126-02 Sound Shield
 0541-1127-01 Sound Shield
 0541-1247 Sound Shield
 0541-1248 Sound Shield
 0541-1249-01 Sound Shield
 0541-1249-02 Sound Shield
 0541-1279 Sound Shield

Spec Sheet Description

Sound shield housing

Description

Sound shield with insulated panels, two doors and multiple access ports for all of the necessary connections and maintenance items including lifting eye. Exhaust re-routing to the front may require a separate kit (ref. 0155-3240 or other kits—please see kit descriptions for selection details).

Benefits

Steel panel construction with insulation for optimum noise reduction capability. Lifting eye access allows convenient handling of the set installation. The sound shield is easily added to the genset after it is installed.



0541-0588

Compatibility

Part No.	Models	Instruction Sheet
0541-0588	MDKAV MDKBL (spec A–B)	M-108
0541-1247	MDKBL (spec C and later)	G-669
0541-0589	MDKAW/Z MDKBM/N (spec A–B)	M-108
0541-1248	MDKBM/N (spec C and later)	G-669
0541-0830-01	MDKBD/E MDKBP/R (spec A)	M-108
0541-1249-01	MDKBP/R (spec B and later)	G-669
0541-0830-02	MDKBF MDKBS (spec A)	M-108
0541-1249-02	MDKBS (spec B and later)	G-669
0541-1279	MDKBT/U	G-724
0541-1126-01	MDDCA/F	G-633
0541-1126-02	MDDCB/C/G	G-633
0541-1127-01	MDDCD/E/H/J	G-633

Installation

Models MDDCA/B/C/D/E/F/G/H/J may also need an exhaust elbow extension. See Parts Manual for details.

Kit Includes

Front and rear panel, roof, doors (all finish painted parts and decals in place), assembly hardware, instruction sheet.

Instruction Sheet

See chart above.

PART NUMBER

- 0541-0590 Belt Guard
- 0541-0837-01 Belt Guard
- 0541-0837-02 Belt Guard
- 0541-1128-01 Belt Guard
- 0541-1280-01 Belt Guard

Spec Sheet Description

Not listed on spec sheet

Description

A belt guard is required when the sound shield is removed. It covers the belt and pulley at front of engine and protects the operator.

Benefits

This kit allows conversion of a set equipped with a sound shield to an unshoused version. The sound shield components removed from the set, including hardware, can be stored for future use in converting an unshoused genset to a housed set.

Compatibility

Part No.	Models	Instruction Sheet
0541-0590	MDKAV/W/Z MDKBL/M/N	M-108
0541-0837-01	MDKBD/E/F (negative ground) MDKBP/R/S (negative ground)	M-108
0541-0837-02	MDKBD/E/F (isolated ground) MDKBP/R/S (isolated ground)	M-108
0541-1280-01	MDKBT/U	G-724
0541-1128-01	MDDCA/B/C/D/E/F/G/H/J	G-633

Kit Includes

Belt guard, assembly hardware, instruction sheet.

Instruction Sheet

See chart above.



0541-0590

Electrical System Accessories

PART NUMBER

0541-1206-01 Set-Mounted Gauges 12 V

0541-1206-02 Set-Mounted Gauges 24 V

Spec Sheet Description

DC gauge package with voltmeter, temperature gauge, oil pressure gauge; set-mounted

Description

Three gauges assembled on a 16-gauge steel panel and pre-wired to a 4 pin Deutsch connector for installation in the genset mounted control box and mating to the connector in the control harness.

Benefits

A plug-and-play assembly with oil pressure, coolant temperature, and DC voltmeter LED gauges. DC voltmeter has built-in, pre-alarm indication for engine oil pressure, high coolant temperature and low battery voltage. Note that the genset digital processor control has separate safety shut-offs for preventing damage to the genset.

Installation

These gauges replace the blank panel on the control box. If this panel is used in addition to remote mounted gauges, momentary switch is required (0300-4835-03).

Compatibility

These kits are for use with:

MDKAV/W/Z

MDKBG/D/E/F

0541-1206-01 is for 12 V DC sets

0541-1206-02 is for 24 V DC sets

Kit Includes

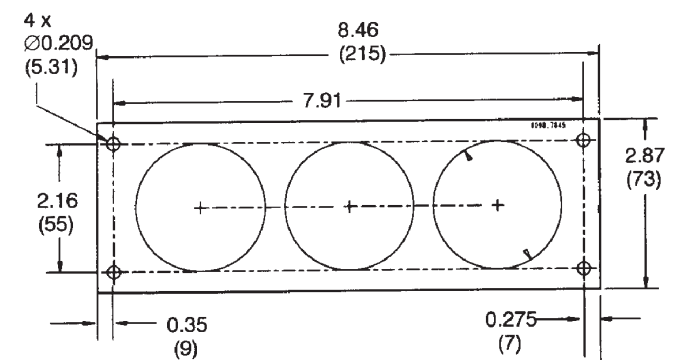
Panel assembly, four plastic rivets for mounting, instruction sheet.

Instruction Sheet

C-612



0541-1206-01



in (mm)

PART NUMBER

0541-0583 Module—No Gauges 12 V

0541-0584 Module—No Gauges 24 V

Spec Sheet Description

Not listed on spec sheet

Description

Kit for replacing set-mounted gauges on the genset with a blank panel.

Benefits

Assembly plugs in to a mating connector inside the DC control to simulate gauges when no gauges are present. This arrangement maintains the necessary processor control operation.

Installation

Panel covers hole in control box when set-mounted gauges are removed.

Compatibility

These kits are for use with:

MDKAV/W/Z

MDKBG/D/E/F

0541-0583 is for 12 V DC sets

0541-0584 is for 24 V DC sets

Kit Includes

Resistor assembly, blank DC control panel, washer and nut for ground strap, instruction sheet.

Instruction Sheet

C-612



0541-0583

Electrical System Accessories

PART NUMBER

0300-5944-03 Set-Mounted Cummins Onan Digital Display

Spec Sheet Description

Set mounted Series Digital Display

Description

Weather protected plastic enclosure with a graphical LCD display.

Benefits

If the display is not ordered with the genset, this kit makes it easy to add the display in the field. This display is also available for remote mounting, see kit 0541-1130.

Compatibility

This kit is for use with
MDKBL/M/N
MDKBP/R/S/T/U

Installation

This kit replaces the start/stop switch panel on the control box. Up to three displays can be connected to one generator.

Kit Includes

Display assembly, mounting bracket and instruction sheet.

Instruction Sheet

C-671



PART NUMBER

0541-1129-01 Blank Panel with Start/Stop Switch 12V

0541-1129-02 Blank Panel with Start/Stop Switch 24V

Spec Sheet Description

Panel with start/stop switch with run (green) and control status (amber) lamps; replaces Series Digital Display if mounted remotely.

Description

Panel with start/stop switch with built-in dual lamps to indicate when the set is running; the green lamp indicates the generator is operating normally; the amber flashing lamp indicates a diagnostic code for convenient troubleshooting.

Benefits

Replaces the set-mounted Series Digital Display with a start/stop switch for remote mounting the display.

Compatibility

These kits are for use with MDDCA/B/C/D/E/F/G/H/J.

Installation

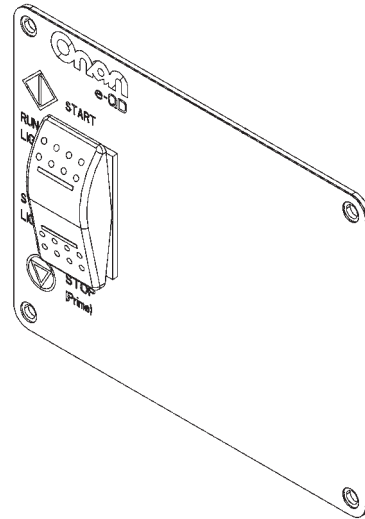
Harness Y adapter, part number 0338-4016, also required.

Kit Includes

Panel, start/stop switch with connector, hardware for mounting the Series Digital Display remotely and instruction sheet.

Instruction Sheet

G-631



Electrical System Accessories

PART NUMBER

0541-1195-01 Interface, Communication Network, SAE J1939

0541-1195-03 Interface, Communication Network, SAE J1939

Spec Sheet Description

SAE J-1939 CAN data link

Description

If the network interface is not ordered with the genset, this kit makes it easy to add it in the field.

Benefits

Provides genset information on a J1939 data link for monitoring generator set status and diagnostics for engine and alternator. Transmitted data includes: AC voltage, AC frequency, coolant temperature, oil pressure, battery voltage, hours, pre-alarm and fault information.

Compatibility

Part No.	Models
0541-1195-01	MDKBH
0541-1195-03	MDKBK/L/M/N/P/R/S/T/U

Installation

Kit 0541-1195-01 mounts to the outside of the sound shield (see outline drawing for more information). A SAE J1939 capable display needs to be programmed to display genset information.

Kit Includes

Network interface module, harness, mounting hardware, and instruction sheet.

Instruction Sheet

C-679

PART NUMBER

0541-1195-02 Interface, Communication Network, SmartCraft

0541-1195-04 Interface, Communication Network, SmartCraft

Spec Sheet Description

SmartCraft Networked™ data link

Description

If the network interface is not ordered with the genset, this kit makes it easy to add it in the field.

Benefits

Provides genset information on a SmartCraft Networked™ data link for monitoring generator set status and diagnostics for engine and alternator. Transmitted data includes: AC voltage, AC frequency, coolant temperature, oil pressure, battery voltage, hours, pre-alarm and fault information.

Compatibility

Part No.	Models
0541-1195-02	MDKBH
0541-1195-04	MDKBK/L/M/N/P/R/S/T/U

Installation

Kit 0541-1195-01 mounts to the outside of the sound shield (see outline drawing for more information). Display and harness is available through Cummins MerCruiser Diesel.

Kit Includes

Network interface module, harness, mounting hardware, and instruction sheet.

Instruction Sheet

C-679

Electrical System Accessories

PART NUMBER

0300-5725-01 Basic Panel 12 V

0300-5725-02 Basic Panel 24 V

0300-5899-01 Basic Panel 12 V

0300-5899-02 Basic Panel 24 V

Spec Sheet Description

Basic remote panel with start/stop switch with run (green) and control status/diagnostic indicator (amber) lamps

Description

Basic remote start/stop switch panel. Plastic panel (black) with dual lamp start/stop momentary switch pre-wired to an 8-pin Deutsch sealed connector.

Benefits

This remote panel allows the operator to start or stop the generator from a convenient location, remote from the generator. The start/stop switch has built-in dual lamps: the green lamp indicates the generator is operating normally; the amber flashing lamp indicates a diagnostic code for convenient troubleshooting. Panel must be plugged into generator control with suitable extension harness.

Compatibility

Part No.	Models
0300-5725-01 (12 V)	MDKAU/V/W/Z
	MDKBG/H/K/L/M/N
	MDKBD/E/F
	MDKBP/R/S/T/U
	MGKBC/D
0300-5725-02 (24 V)	MDKAU/V/W/Z
	MDKBG/H/K/L/M/N
	MDKBD/E/F
	MDKBP/R/S/T/U
	MGKBC/D
0300-5899-01 (12 V)	MDDCA/B/C/D/E/F/G/H/J
0300-5899-02 (24 V)	MDDCA/B/C/D/E/F/G/H/J

Kit Includes

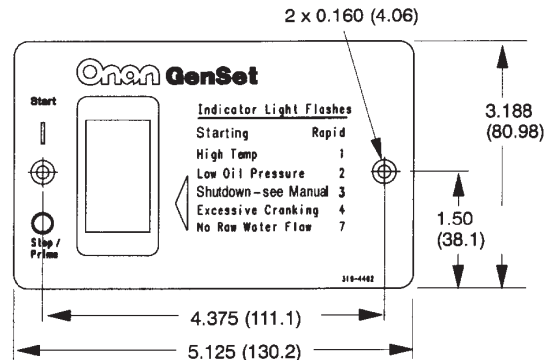
Panel assembly with connector, two #6 x 1.0 in wood screws for mounting, instruction sheet.

Instruction Sheet

C-605

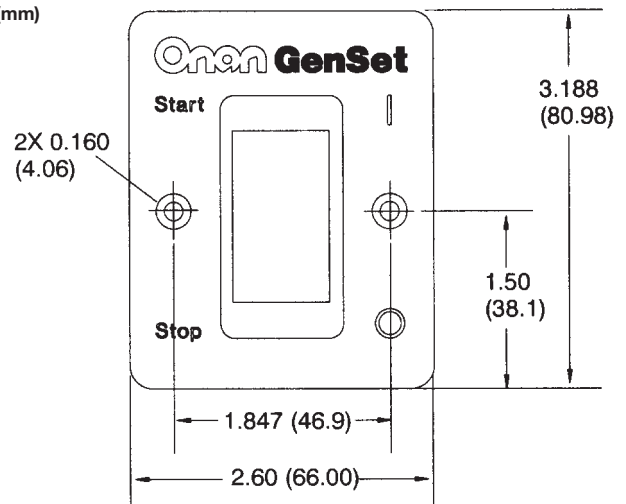


0300-5725-01, -02



0300-5725-01, -02

in (mm)



0300-5899-01, -02

in (mm)

PART NUMBER

0300-5726-01 Deluxe Panel 12 V

0300-5726-02 Deluxe Panel 24 V

Spec Sheet Description

Deluxe remote panel with start/stop switch with run (green) and control status (amber) lamps and DC LED display voltmeter

Description

Deluxe remote panel with start/stop switch with voltmeter. Plastic panel (black) with dual lamp start/stop momentary switch and voltmeter pre-wired to an 8-pin Deutsch sealed connector.

Benefits

A plug-and-play assembly with a start/stop switch with built-in dual lamps to indicate when the set is running: the green lamp indicates the generator is operating normally; the amber flashing lamp indicates a diagnostic code for convenient troubleshooting. Panel must be plugged into generator control with suitable extension harness. Also included is a DC voltmeter with built-in pre-alarm indication for low-battery voltage.

Compatibility

These kits are for use with:

MDKAU/V/W/Z

MDKBG/D/E/F

MGKBC/D

0300-5726-01 is for 12 V DC sets

0300-5726-02 is for 24 V DC sets

Kit Includes

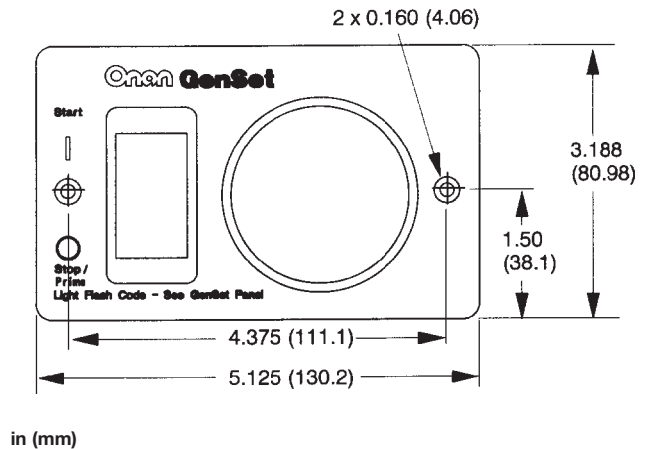
Panel assembly with start/stop switch, adapter harness, DC voltmeter; mounting wood screws (#6 x 1.0 in long); genset operating instructions label, instruction sheet.

Instruction Sheet

C-605



0300-5726-01, -02



in (mm)

Electrical System Accessories

PART NUMBER

0300-5727-01 Deluxe Panel 12 V

0300-5727-02 Deluxe Panel 24 V

Spec Sheet Description

Deluxe remote panel with start/stop switch with run (green) and control status (amber) lamps and hour meter

Description

Deluxe remote start/stop switch with hour meter. Plastic panel (black) with dual lamp start/stop momentary switch and hour meter pre-wired to an 8-pin Deutsch sealed connector. Also includes an hour meter to indicate accumulated hours of operation. Refer to the hour meter on the genset control for exact hours of operation.

Benefits

A plug-and-play assembly with a start/stop switch with built-in dual lamps to indicate when the set is running: the green lamp indicates the generator is operating normally; the amber flashing lamp indicates a diagnostic code for convenient troubleshooting. Panel must be plugged into generator control with suitable extension harness. Also included is a service hour meter for ease of logging generator set operation hours. There is a hour meter in the genset-mounted control that could be logged separately to monitor service intervals if desired.

Compatibility

These kits are for use with:

MDKAU/V/W/Z

MDKBG/D/E/F

MGKBC/D

0300-5727-01 is for 12 V DC sets

0300-5727-02 is for 24 V DC sets

Kit Includes

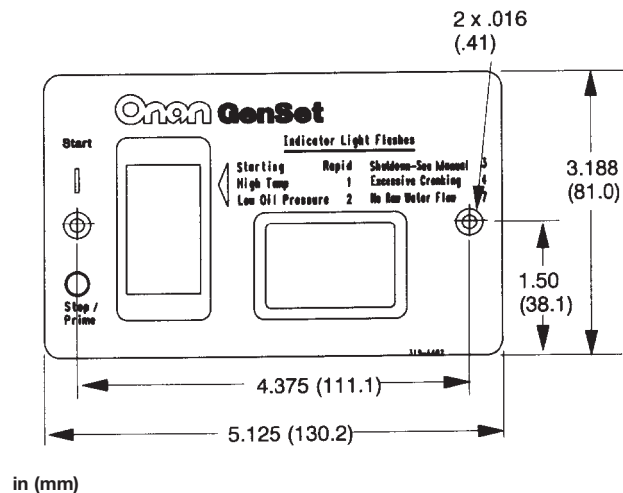
Start/stop switch, adapter harness, hour meter and panel assembly, mounting wood screws (#6 x 1.0 in long), instruction sheet.

Instruction Sheet

C-605



0300-5727-01, -02



PART NUMBER

0541-1207-01 Remote Gauge Package 12 V

0541-1207-02 Remote Gauge Package 24 V

Spec Sheet Description

Remote gauge package with start/stop switch, hour meter, DC voltmeter, oil pressure and water temperature gauges

Description

Remote 16-gauge steel panel assembly (steel panel has label overlay) with 2-in round oil pressure and water temperature gauges and DC voltmeter LED displays, plus a hour meter, and start/stop switch with built-in lamps, all connected to an 8-pin Deutsch sealed connector.

Benefits

A plug-and-play assembly with a start/stop switch with built-in dual lamps: the green lamp indicates the generator is operating normally; the amber flashing lamp indicates a diagnostic code for convenient troubleshooting. Panel must be plugged into generator control with suitable extension harness. Also included is a service hour meter for ease of logging generator set operation hours from a remote location. Has oil pressure, coolant temperature, and DC voltmeter LED gauges with built-in pre-alarm indication for engine oil pressure, high coolant temperature and low battery voltage. Note that the genset digital control has separate safety shut-offs for preventing damage to the genset.

Installation

If accessory is used in addition to set-mounted gauges, momentary switch is required (0300-4835-03).

Compatibility

These kits are for use with:

MDKAV/W/Z

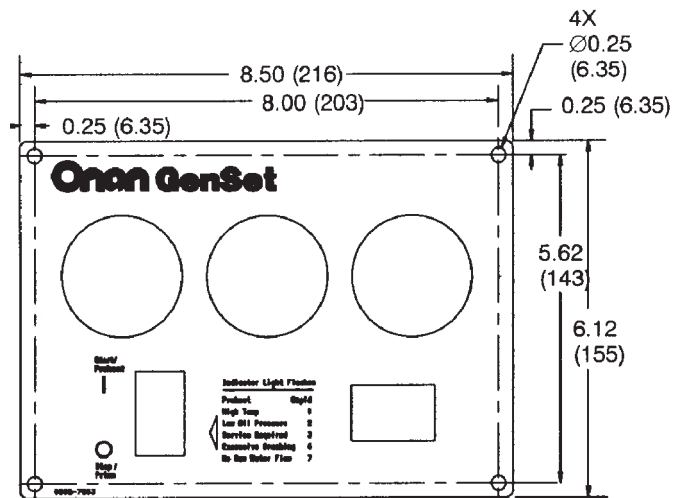
MDKBG/D/E/F

0541-1207-01 is for 12 V DC sets

0541-1207-02 is for 24 V DC sets



0541-1207-01



in (mm)

Kit Includes

Panel assembly with adapter harness, four mounting sheet metal pan head screws (#8 x 1.0 in long), instruction sheet.

Instruction Sheet

C-605

Electrical System Accessories

PART NUMBER

0541-1208-01 Gauge Package 12 V

0541-1208-02 Gauge Package 24 V

Spec Sheet Description

Remote gauge package with DC voltmeter, oil pressure and water temperature

Description

Remote gauge panel made from 14GA. 316L stainless steel, e-coated black. Includes 2-in round oil pressure, water temperature, and DC voltmeter gauges with LED displays connected to a 8-pin Deutsch sealed connector.

Benefits

Plug and play assembly with oil pressure, water temperature and DC voltmeter gauges. Gauges have a LED display with built in pre-alarm indication for low engine oil pressure, high coolant temperature and low battery voltage. Panel must be plugged into generator control with suitable extension harness.

Installation

If panel is used in addition to set-mounted gauges, momentary switch is required (0300-4835-03).

Compatibility

These kits are for use with:

MDKAV/W/Z

MDKBG/D/E/F

0541-1208-01 is for 12 V DC sets

0541-1208-02 is for 24 V DC sets

Kit Includes

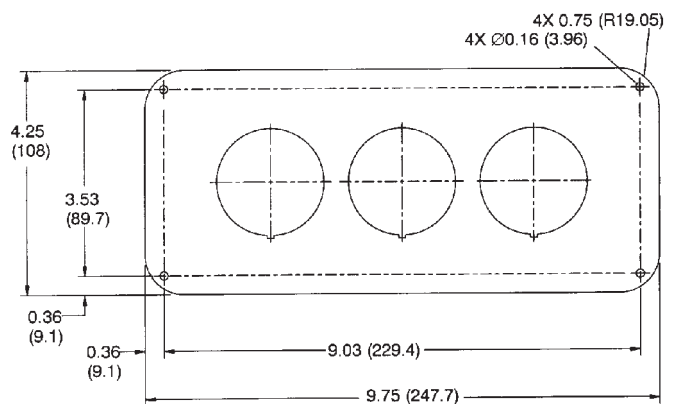
Panel assembly and instruction sheet.

Instruction Sheet

C-605



0541-1208-01, -02



in (mm)

PART NUMBER

0541-1130 Series Digital Display

Spec Sheet Description

Series Digital Display graphical LCD remote display for genset operating parameters and diagnostics

Description

Weather protected plastic enclosure with a graphical LCD display and two 8-pin Deutsch connectors.

Benefits

Plug-and-play assembly with start/stop buttons and LED lights that provide genset status at a glance. The LCD has digital readout of AC voltage, AC frequency, coolant temperature, oil pressure, battery voltage, and hours. It will also provide a pre-alarm warning for high coolant temperature and low oil pressure alerting the operator of a potential failure. If the genset shuts down due to a fault, the LCD will provide a description of the fault along with the fault number and the run time hours that the fault occurred. The display will also list the last fault that occurred.

Installation

Up to three displays can be connected to one generator. Requires 4.8 inches (123 mm) mounting depth.

Compatibility

This kit is for use with:
 MGKBC/D
 MDKBH/K/L/M/N
 MDKBP/R/S/T/U
 MDDCA/B/C/D/E/F/G/H/J

Kit Includes

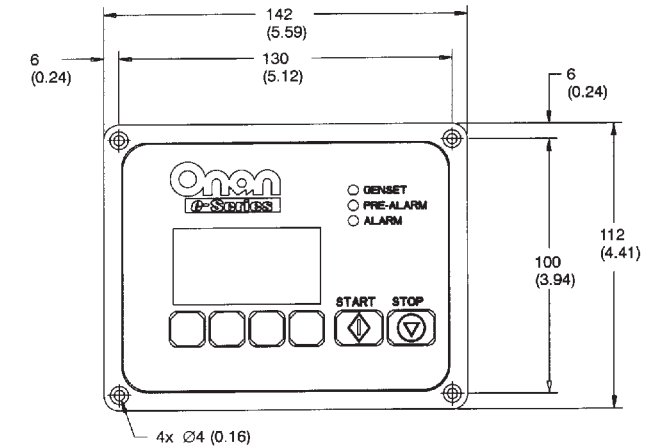
Display assembly, four mounting screws, instruction sheet.

Instruction Sheet

G-574



0541-1130



in (mm)

Electrical System Accessories

PART NUMBER

0541-0941-01 Harness Kit-Remote Start/Stop Switch with Connector 12 V

0541-0941-02 Harness Kit-Remote Start/Stop Switch with Connector 24 V

0541-1131-01 Harness Kit-Remote Start/Stop Switch with Connector 12 V

0541-1131-02 Harness Kit-Remote Start/Stop Switch with Connector 24 V

Spec Sheet Description

Remote start/stop switch with dual lamps and mating harness only for panel installation

Description

Basic remote start/stop switch—Switch (black) with dual lamp start/stop momentary switch pre-wired to an 8-pin Deutsch sealed connector for use with available extension harnesses ranging in length from 15 feet (4.5 meter) to 150 feet (45.7 meter).

Benefits

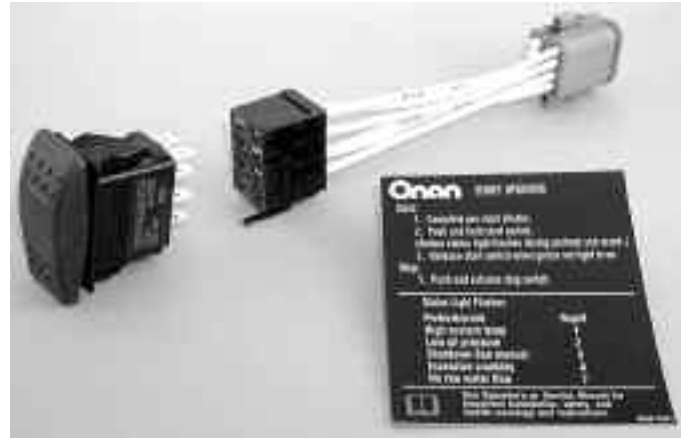
A plug-and-play assembly with a start/stop switch and mating adapter harness for customer to install in any customized remote panel. The switch has built-in dual lamps: the green lamp indicates the generator is operating normally; the amber flashing lamp indicates a diagnostic code for convenient troubleshooting. Switch must be plugged into the generator set control with a suitable extension harness. Also included is a separate label (76 x 90 mm; 3 x 3.5 in) with operating instructions and fault codes for diagnosis for operator convenience. Label has a black background with white text.

Kit Includes

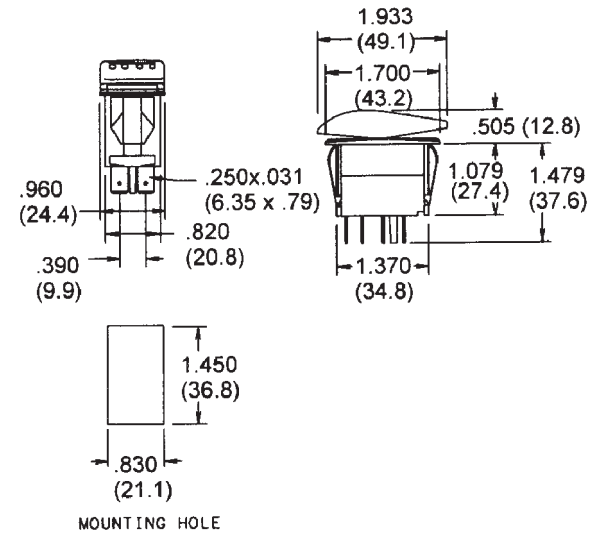
Start/stop switch, adapter harness, genset operating instructions label, instruction sheet.

Instruction Sheet

C-605



0541-0941-01, -02



in (mm)

Compatibility

Part No.	Models
0541-0941-01 (12 V)	MDKAU/V/W/Z MDKBG/H/K/L/M/N MDKBD/E/F MDKBP/R/S/T/U MGKBC/D
0541-0941-02 (24 V)	MDKAV/W/Z MDKBG/K/L/M/N MDKBD/E/F MDKBP/R/S/T/U
0541-1131-01 (12 V)	MDDCA/B/C/D/E/F/G/H/J
0541-1131-02 (24 V)	MDDCA/B/C/D/E/F/G/H/J

PART NUMBER

- 0338-3167 Remote Panel Harness 15 ft (4.5 m)
- 0338-3168 Remote Panel Harness 25 ft (7.6 m)
- 0338-3169 Remote Panel Harness 45 ft (13.7 m)
- 0338-3169-01 Remote Panel Harness 75 ft (22.8 m)
- 0338-3169-02 Remote Panel Harness 100 ft (30.4 m)
- 0338-3169-03 Remote Panel Harness 150 ft (45.6 m)

Spec Sheet Description

Remote panel wire harness—15 ft, 25 ft, 45 ft, 75 ft 100 ft or 150 ft

Description

Remote panel wire harness—15 ft (4.5 m), 25 ft (7.6 m), 45 ft (13.7 m), 75 ft (22.8 m), 100 ft (30.4 m) or 150 ft (45.6 m)

These harnesses have 8 wires terminated at both ends with sealed Deutsch connectors that plug into the generator set control connector and various Cummins Onan remote panel accessories described in this catalog. The wire bundle has wire ties at each 10 to 14 in (254–356 mm) to keep it intact.

Benefits

Easy, plug and play connection between genset and remote panel.

Installation

When installed, the wire bundle should be protected through the boat so that it does not get damaged from contact with other machinery or personnel. The minimum hole diameter for either end of the harness to be passed through is 1.7 in (43 mm).

Compatibility

These kits are for use with all QG and QD Series generator sets except for the MDKAU which is limited to 45 feet (13.7 m) and shorter harnesses.

Kit Includes

Harness assembly.

Instruction Sheet

None



0338-3167

Electrical System Accessories

PART NUMBER

0338-4016 Harness Y Adapter for Remote Dual Stations

Spec Sheet Description

Y adapter harness for dual remote stations

Description

Harness consists of 2 x 8-pin watertight, Deutsch receptacles with 8 wires connected to an 8-pin watertight, Deutsch plug.

Dimensions

8 in (203 mm) between connections.

Benefits

Converts the control single remote to two remote connectors. Allows connection of two remote stations (only one with remote gauges) to the genset control with suitable extension harness.

Compatibility

This kit is for use with all QG and QD Series generator sets.

Kit Includes

Harness assembly.

Instruction Sheet

None



0338-4016

PART NUMBER

0338-4017 Harness—Pigtail at Remote Panel

Spec Sheet Description

Remote station harness pigtail

Description

Harness consists of an 8-pin watertight, Deutsch receptacle with 8 wires (16 AWG) labeled 1 through 8, each 8 in (203 mm) long. Installer should butt splice connections on the loose end to make the necessary extensions.

Benefits

This harness plugs into the Cummins Onan remote panel accessories described in this catalog and allows installer to splice extensions to connect between the genset and remote panel.

Compatibility

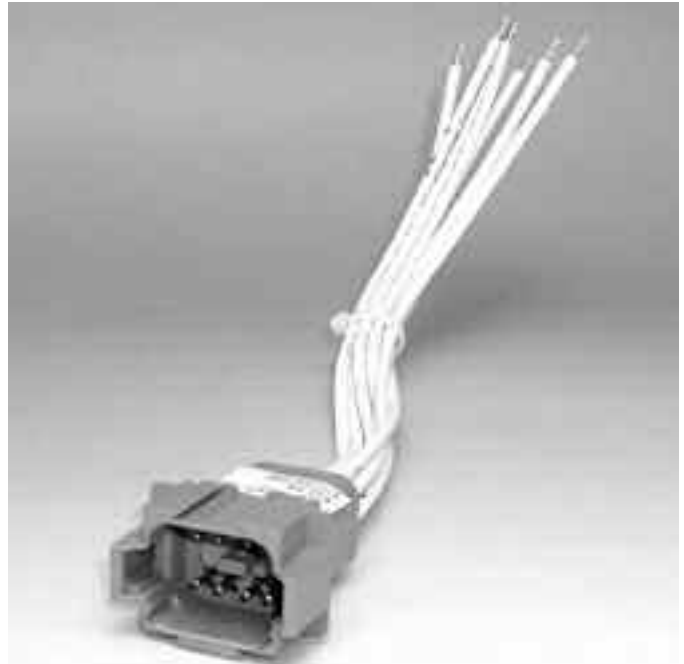
This kit is for use with all QG and QD Series generator sets.

Kit Includes

Remote control pigtail.

Instruction Sheet

None



0338-4017

Electrical System Accessories

PART NUMBER

0338-4223 Harness—Pigtail at Genset (8 ckt)

0338-4500 Harness—Pigtail at Genset (12 ckt)

Spec Sheet Description

Remote station harness pigtail

Description

Harness consists of a watertight, Deutsch plug with 8 or 12wires (16 AWG), each 8 in (203 mm) long. Installer should butt splice connections on the loose end to make the necessary extensions.

Benefits

This harness plugs in to the remote connector at the the genset and allows installer to splice extensions to connect the genset and remote panel.

Compatibility

0338-4223 is for use with all QG and QD Series generator sets

0338-4500 is for MDDCA/B/C/D/E/F/G/H/J

Kit Includes

Harness.

Instruction Sheet

None



0338-4223

PART NUMBER

0300-4835-03 Dual Gauge Panel Momentary Switch

Spec Sheet Description

Dual gauge momentary switch to allow operation of remote panel gauges and set-mounted gauge panel

Description

The kit consists of a double-pole, double-throw momentary switch which is mounted in the genset control panel and connected to the senders (oil pressure and coolant temperature). It delivers the signal to the remote oil pressure and coolant temperature gauge. Momentary operation by the operator, when at the genset, operates the genset control gauges and disconnects the remote panel oil pressure and coolant temperature gauges for that duration.

Benefits

Allows use of two oil pressure and water temperature gauges on a single gauge sender on the genset. Requires one set of gauges in the genset control panel and another at a remote location.

Compatibility

This kit is for use with:
MDKAV/W/Z
MDKBG/D/E/F

Kit Includes

Switch and harness assembly, switch cap, two washers, label.
instructions, instruction sheet.

Instruction Sheet

C-605



0300-4835-03

Electrical System Accessories

PART NUMBER

0300-5464 Isolated Ground Conversion 12 V

0541-0822 Isolated Ground Conversion 12 V

0541-0823 Isolated Ground Conversion 12 V

0541-0824 Isolated Ground Conversion 24 V

Spec Sheet Description

12 or 24 V isolated ground conversion kit, no battery charging 12 V isolated DC control conversion kit

Description

This kit isolates the genset DC control system from the engine block which is bonded to the genset grounding lug. Isolation involves replacing oil pressure sensor, replacing water temperature sensor, and installing a relay that connects ground and B- during preheat and cranking only.

Benefits

When the genset is off or running, the DC system is isolated from the boats hull by disconnecting the engine block from B-. When the set is starting and during pre-heat, the engine block is connected to B-.

Compatibility

Part No.	Models
0300-5464 (12 V)	MDKAU, MDKBH (not with option H647)
0541-0822 (12 V)	MDKAV/W/Z MDKBG/K/L/M/N
0541-0823 (12 V)	MDKBD/E/F MDKBP/R/S
0541-0824 (24 V)	MDKBD/E/F MDKBP/R/S



0300-5464

Installation

The battery charging alternator will be disconnected when installing kits 0541-0823 and 0541-0824.

Kit Includes

Oil pressure sensor, water temp sensor, relay, wire and miscellaneous hardware, instruction sheet.

Instruction Sheet

M-107 for 0300-5464; G-541 for 0541-0822/3/4

PART NUMBER

0308-0269 2-Wire 120 V AC Manual Transfer Switch

0308-0270 3-Wire 120/240 V AC Manual Transfer Switch

Spec Sheet Description

Ship-to-shore selector switch, single phase, 2- or 3-wire output

Description

AC manual transfer switch. Rated at 600 V and 63 Amps.

Dimensions

0308-0270 4.5 in (114.3 mm) square panel x 6.75 in (171.5 mm) deep overall.

0308-0269 4.5 in (114.3 mm) square panel x 4.1 in (104.1 mm) deep overall.

Benefits

Switch allows load to be switched to either shore power or genset power and keeps the genset isolated from shore power.

Compatibility

Part No.	Models
0308-0269 (2 wire systems less than 63 Amps)	MDKAU/BH
0308-0270 (3 wire systems less than 63 Amps)	MDKAU/V/W/Z MDKBG/H/K/L/M/N MGKBC/D

Kit Includes

Rotary selector switch and instruction sheet.

Instruction sheet

A-185



0308-0269

Electrical System Accessories

PART NUMBER

**0332-3771 DC Terminal Boot Kit
(for battery connections at bulk head)**

Spec Sheet Description

Bulk head battery terminal boots

Description

Rubber insulating boots fit wire with insulation diameter up to .55 in (14 mm). Generally fits wire from 8 to 1/0 AWG.

Benefits

These are protective covers for the bulk head battery connection. The exposed battery connection should be protected from accidental contact with tools or metal objects that would cause arcing.

Compatibility

This kit is for use with all QG and QD Series generator sets.

Kit Includes

One black boot and one red boot.

Instruction Sheet

None



0332-3771

PART NUMBER

0300-4686-01 Low Coolant Level Switch Kit

Spec Sheet Description

Low coolant level safety shut-off switch

Description

Provides continuous monitoring of the coolant level in the engine block. If the level falls below a pre-set level for more than 10 seconds the genset control activates a shutdown and indicates fault code 59. Operator should repair any leak and add coolant as appropriate. Please use operator's manual instructions for adding coolant.

Benefits

The genset is equipped with a recovery bottle with recommended coolant level indication gauge. The switch adds additional protection against operation with low coolant level.

Compatibility

This kit is for use with:

MDKAV/W/Z (not with dry exhaust)

MDKBG/K/L/M/N (not with dry exhaust)

MDKBD/E/F

MDKBP/R/S/T/U

Kit Includes

Switch assembly, 3/4 in to 1/4 in NPT reducer bushing and instruction sheet.

Instruction Sheet

C-492



0300-4686-01

Electrical System Accessories

PART NUMBER

0123-2252 Low/High Oil Level Switch

Spec Sheet Description

Low and high oil level indicator and shutdown

Description

Oil level switch mounted to genset frame with high and low level indicators.

Benefits

The switch interfaces with the genset control system to protect the engine from too much or too little lubrication oil.

Compatibility

This kit is for use with:
MDDCA/B/C/D/E/F/G/H/J

Kit Includes

Oil level switch, mounting brackets, hoses, mounting hardware, and instruction sheet.

Instruction Sheet

G-635



PART NUMBER

0320-1666-XX AC Output Breakers

0320-1689-XX AC Output Breakers

0320-1836-XX AC Output Breakers

0320-1891-XX AC Output Breakers

0320-2332-XX AC Output Breakers

0541-0946-XX AC Output Breakers

Spec Sheet Description

Line circuit breakers for field conversion of frequency or AC voltage output

Description

Trip free, hydraulic magnetic trip recognized per UL1077 and CSA certification. Interrupting capacity is 1000 amps (3 pole is 5000 Amps) at 0.5 PF, 50/60 Hz; 65 VDC (RES). Pulse tolerance: 20 times rated current for 8 milliseconds. Ignition protected per USCG Requirement CFR-33-183.410 or UL1500.

Benefits

Main line circuit breakers come standard on these model gensets but, in many cases, when the voltage or frequency is changed, the circuit breaker also must be changed. These kits allow easy conversion of the circuit breaker in the field.

Compatibility

The tables below list the recommended circuit breaker for each model per voltage code.

Kit Includes

Individual circuit breaker.

Instruction Sheet

None

Continued on next page.

Electrical System Accessories

Continued from previous page.

Voltage Code	Description	MDKAU/BH	Amps	MDKAV/BG/BK/BL	Amps	MDKAW/BM	Amps	MDKAZ/BN	Amps
R041(50Hz)	115/230V, 1 ph., 3 wire	0320-1666-51	20	0320-1689-04	30	0320-1689-07	45	0320-1689-08	50
R046(50Hz)	110/220V, 1 ph., 3 wire	0320-1666-51	20	0320-1689-04	30	0320-1689-07	45	0320-1689-08	50
R086(60Hz)	120V, 1 ph., 2 wire	0320-1666-51	20	0320-1689-13	75	0320-1689-17	95	0320-2332-01	115
R104(50Hz)	120/240V, 1 ph., 3 wire	0320-1666-51	20	0320-1689-04	30	0320-1689-07	45	0320-1689-08	50
R104(60Hz)	120/240V, 1 ph., 3 wire	0320-1666-51	20	0320-1689-06	40	0320-1689-07	45	0320-1689-09	55
R110(50Hz)	220V, 1 ph., 2 wire	0320-1666-51	20	0320-1689-04	30	0320-1689-07	45	0320-1689-08	50
R039(60Hz)	100V, 1 ph., 2 wire	0320-1666-53	25	-	-	-	-	-	-
R117(50Hz)	230V, 1 ph., 2 wire	0320-1666-51	20	-	-	-	-	-	-

Voltage Code	Description	MGKBC	Amps	MGKBD	Amps
R104(60Hz)	120/240, 1 ph., 3 wire	0320-1666-55	45	0320-1666-54	35
R041(50Hz)	115/230, 1 ph., 3 wire	0320-1666-54	35	-	-
R046(50Hz)	110/220, 1 ph., 3 wire	0320-1666-55	45	-	-
R086(60Hz)	120, 1 ph., 2 wire	0541-0946-02	85	0541-0946-01	70
R104(50Hz)	120/240, 1 ph., 3 wire	0320-1666-54	35	-	-

Voltage Code	Description	MDKBD/P	Amps	MDKBE/R	Amps	MDKBF/S	Amps	MDKBT	Amps	MDKBU	Amps
R104(60Hz)	120/240, 1 ph., 3 wire	0320-1689-12	70	0320-1689-16	90	0320-2332-01	115	0320-2332-01	125	0320-2332-02	125
R041(50Hz)	115/230, 1 ph., 3 wire	0320-1689-10	60	0320-1689-14	80	0320-1689-18	100	0320-1689-18	100	0320-2332-01	115
R046(50Hz)	110/220, 1 ph., 3 wire	0320-1689-10	60	0320-1689-14	80	0320-1689-18	100	0320-1689-18	100	0320-2332-02	125
R104(50Hz)	120/240, 1 ph., 3 wire	0320-1689-10	60	0320-1689-14	80	0320-1689-18	100	0320-1689-18	100	0320-2332-01	115
R110(50Hz)	220V, 1 ph., 2 wire	0320-1689-10	60	0320-1689-14	80	0320-1689-18	100	0320-1689-18	100	0320-2332-02	125
R002(60Hz)	277/480, 3 ph., 4 wire	0320-1891-01	25	0320-1891-04	35	0320-1891-07	45	0320-1891-07	45	0320-1891-10	50
R003(60Hz)	240/416, 3 ph., 4 wire	0320-1891-02	30	0320-1891-08	40	0320-1891-10	50	0320-1891-10	50	0320-1891-11	55
R003(50Hz)	240/416, 3 ph., 4 wire	0320-1891-01	25	0320-1891-02	30	0320-1891-08	40	0320-1891-08	40	0320-1891-10	50
R004(50Hz)	110/190, 3 ph., 4 wire	0320-1836-09	55	0320-1836-12	70	0320-1836-16	90	0320-1836-16	90	0320-1836-18	100
R020(60Hz)	127/220, 3 ph., 4 wire	0320-1836-10	60	0320-1836-13	75	0320-1836-17	95	0320-1836-17	95	0320-1836-18	100
R023(60Hz)	255/440, 3 ph., 4 wire	0320-1891-02	30	0320-1891-08	40	0320-1891-10	50	0320-1891-10	50	0320-1891-11	55
R023(50Hz)	255/440, 3 ph., 4 wire	0320-1891-01	25	0320-1891-02	30	0320-1891-08	40	-	-	-	-
R028(50Hz)	110/220, 3 ph., 4 wire	0320-1836-07	45	0320-1836-10	60	0320-1836-13	75	0320-1836-13	75	0320-1836-16	90
R029(50Hz)	230/400, 3 ph., 4 wire	0320-1891-01	25	0320-1891-04	35	0320-1891-07	45	0320-1891-07	45	0320-1891-10	50
R050(50Hz)	115/200, 3 ph., 4 wire	0320-1836-08	50	0320-1836-11	65	0320-1836-15	85	0320-1836-15	85	0320-1836-18	100
R067(60Hz)	139/240, 3 ph., 4 wire	0320-1836-09	55	0320-1836-11	65	0320-1836-15	85	0320-1836-15	85	0320-1836-18	100
R071(50Hz)	115/230, 3 ph., 4 wire	0320-1836-07	45	0320-1836-09	55	0320-1836-13	75	0320-1836-13	75	0320-1836-15	85
R098(60Hz)	120/208, 3 ph., 4 wire	0320-1836-10	60	0320-1836-13	75	0320-1836-18	100	0320-1836-18	100	0320-1836-19	110
R098(50Hz)	120/208, 3 ph., 4 wire	0320-1836-08	50	0320-1836-11	65	0320-1836-14	80	0320-1836-14	80	0320-1836-17	95
R099(50Hz)	220/380, 3 ph., 4 wire	0320-1891-01	25	0320-1891-04	35	0320-1891-07	45	0320-1891-07	45	0320-1891-10	50
R106(60Hz)	120/240, 3 ph., 4 wire	0320-1836-09	55	0320-1836-11	65	0320-1836-15	85	0320-1836-15	85	0320-1836-18	100
R106(50Hz)	120/240, 3 ph., 4 wire	0320-1836-07	45	0320-1836-09	55	0320-1836-12	70	0320-1836-12	70	0320-1836-15	85

PART NUMBER

0320-1959-XX AC Output Breakers

0320-1960-XX AC Output Breakers

0541-1132-01 Circuit Breaker Mounting Kit

0541-1132-02 Circuit Breaker Mounting Kit

Spec Sheet Description

Set-mounted mainline circuit breaker

Description

Thermal-magnetic circuit breakers are built in accordance with UL 489 and CSA C22.2 No. 5.1 Standard.

Benefits

These kits make it easy to add circuit breakers in the field or allow easy conversion of the breaker when output voltage is changed.

Compatibility

The table below lists the recommended circuit breaker for each model per voltage code.

Installation

The circuit breaker mounting kit must be ordered with the circuit breaker.

0541-1132-01 is for use with 0320-1959-XX breakers

0541-1132-02 is for use with 0320-1960-XX breakers

Kit Includes

Kits 0320-1959-XX and 0320-1960-XX include a circuit breaker. Kits 0541-1132-01/2 includes mounting hardware, leads and instruction sheet.

Instruction Sheet

G-642 for 0541-1132-01, -02

Voltage Code	Description	MDDCA	Amps	MDDCB	Amps	MDDCC	Amps	MDDCD	Amps	MDDCE	Amps
R104 (60Hz)	120/240, 1 ph., 3 wire	0320-1959-02	225	0320-1960-11	250	0320-1960-06	300	0320-1960-04	400	0320-1960-02	500
R002 (60Hz)	277/480, 3 ph., 4 wire	0320-1959-09	80	0320-1959-07	100	0320-1959-06	125	0320-1959-05	150	0320-1959-03	200
R003 (60Hz)	240/416, 3 ph., 4 wire	0320-1959-08	90	0320-1959-06	125	0320-1959-05	150	0320-1959-04	175	0320-1959-02	225
R020 (60Hz)	127/220, 3 ph., 4 wire	0320-1959-04	175	0320-1959-02	225	0320-1960-11	250	0320-1960-06	300	0320-1960-05	350
R023 (60Hz)	255/440, 3 ph., 4 wire	0320-1959-09	80	0320-1959-06	125	0320-1959-05	150	0320-1959-04	175	0320-1959-03	200
R067 (60Hz)	139/240, 3 ph., 4 wire	0320-1959-05	150	0320-1959-03	200	0320-1959-01	250	0320-1960-06	300	0320-1960-05	350
R098 (60Hz)	120/208, 3 ph., 4 wire	0320-1959-04	175	0320-1959-01	250	0320-1960-11	250	0320-1960-06	300	0320-1960-04	400
R106 (60Hz)	120/240, 3 ph., 4 wire	0320-1959-05	150	0320-1959-03	200	0320-1959-01	250	0320-1960-06	300	0320-1960-05	350

Voltage Code	Description	MDDCF	Amps	MDDCG	Amps	MDDCH	Amps	MDDCJ	Amps
R041 (50Hz)	115/230, 1 ph., 3 wire	0320-1959-02	225	0320-1960-11	250	0320-1960-06	300	0320-1960-04	400
R046 (50Hz)	110/220, 1 ph., 3 wire	0320-1959-02	225	0320-1960-11	250	0320-1960-05	350	0320-1960-04	400
R104 (50Hz)	120/240, 1 ph., 3 wire	0320-1959-02	225	0320-1960-11	250	0320-1960-06	300	0320-1960-04	400
R003 (50Hz)	240/416, 3 ph., 4 wire	0320-1959-08	90	0320-1959-06	125	0320-1959-05	150	0320-1959-04	175
R004 (50Hz)	110/190, 3 ph., 4 wire	0320-1959-03	200	0320-1959-01	250	0320-1960-06	300	0320-1960-05	350
R023 (50Hz)	255/440, 3 ph., 4 wire	0320-1959-09	80	0320-1959-07	100	0320-1959-05	150	0320-1959-04	175
R028 (50Hz)	110/220, 3 ph., 4 wire	0320-1959-04	175	0320-1959-03	200	0320-1960-11	250	0320-1960-06	300
R029 (50Hz)	230/400, 3 ph., 4 wire	0320-1959-08	90	0320-1959-06	125	0320-1959-05	150	0320-1959-04	175
R050 (50Hz)	115/200, 3 ph., 4 wire	0320-1959-04	175	0320-1959-02	225	0320-1960-11	250	0320-1960-05	350
R071 (50Hz)	115/230, 3 ph., 4 wire	0320-1959-05	150	0320-1959-03	200	0320-1959-01	250	0320-1960-06	300
R098 (50Hz)	120/208, 3 ph., 4 wire	0320-1959-04	175	0320-1959-02	225	0320-1960-11	250	0320-1960-06	300
R099 (50Hz)	220/380, 3 ph., 4 wire	0320-1959-07	100	0320-1959-06	125	0320-1959-05	150	0320-1959-03	200
R106 (50Hz)	120/240, 3 ph., 4 wire	0320-1959-05	150	0320-1959-03	200	0320-1959-01	250	0320-1960-06	300

Electrical System Accessories

PART NUMBER

0416-0796 Battery 12 V-660 CCA

0416-0823 Battery 12 V-620 CCA

Spec Sheet Description

Battery

Description

Battery required for genset starting and operation. 12 or 24 volt system requires appropriate batteries. All batteries are shipped dry. Order electrolytes from your Onan distributor.

Benefits

Maintenance free type, wet lead acid battery, 12-volt nominal voltage unless noted otherwise.

Compatibility

Part #	0416-0796	0416-0823	Minimum CCA rating required
Model			CCA @ 0° F (-17.8° C)
MDKAU/BH	x	x	360
MDKAV/BL	x	x	360
MDKAW/BM	x	x	500
MDKAZ/BN	x	x	500
MDKBD/BP	x	x	500
MDKBE/BR	x	-	625
MDKBF/BS	x	-	625
MDKBT/U	x	-	625
MDKBG/BK	x	x	360
MGKBD	x	x	360
MGKBC	x	x	360
MDDCA/B/C/F/G	x	-	640
MDDCD/E/H/J	-	-	800

Installation

See Installation manual for installation details.

Kit Includes

Battery

Instruction Sheet

None



0416-0796

Dimensions

Part #	0416-0796	0416-0823
Plates/Cell	16	17
Battery Volts	12	12
Battery capacity-CCA @ 0° F (-17.8° C)	660	620
Amp hour @ 20 hour rate	-	-
Length (inch)	13.0	13.5
Width (inch)	6.8	6.8
Height (inch)	9.4	9.2
BCI Group	31	30H
Ship Weight lb (kg)	62 (28.1)	42 (19)

PART NUMBER

- 0300-4434 Alternator Space Heater, 120 VAC
- 0300-4435 Alternator Space Heater, 240 VAC
- 0333-0445 Alternator Space Heater, 110–125 VAC
- 0333-0446 Alternator Space Heater, 220–260 VAC

Spec Sheet Description

Anti-condensation resistance heater, 120 V or 240 V, 100W

Description

100W resistance heater mounts inside the alternator. Terminal box mounts to outside of alternator housing.

Benefits

Prevents corrosion due to condensation when the unit is not running.

Compatibility

Part No.	Models	Instruction Sheet
0300-4434 (120 VAC)	MDKBT/U	C-449
0300-4435 (240 VAC)	MDKBT/U	C-449
0333-0445 (110-125 VAC)	MDDCA/B/C/D/E/F/G/H/J	C-437
0333-0446 (220-260 VAC)	MDDCA/B/C/D/E/F/G/H/J	C-437

Installation

Requires external power source to terminal box.

Kit Includes

Cartridge heater, terminal box, wiring, mounting hardware, and instruction sheet.

Instruction Sheet

See chart above.



0333-0445

Electrical System Accessories

PART NUMBER

0541-1155 Manual Voltage Control

Spec Sheet Description

Manual voltage regulator

Description

Set mounted manual voltage regulator.

Benefits

Hand controlled excitation system for emergency operation.

Compatibility

This kit is for use with MDDCA/B/C/D/E/F/G/H/J.

Installation

Requires factory installed option B184 (PMG and Newage AVR).

Kit Includes

Manual voltage control, mounting hardware, harness and instruction sheet.

Instruction Sheet

C-670

Power Take Off Conversions

PART NUMBER

- 0190-0776-01 PTO Clutch Assembly 12 V MDKBD/E/P/R
- 0190-0776-02 PTO Clutch Assembly 24 V MDKBD/E/P/R
- 0190-0776-03 PTO Clutch Assembly 12 V MDKBF/S
- 0190-0776-04 PTO Clutch Assembly 24 V MDKBF/S
- 0541-1275-01 PTO Clutch Assembly 12 V MDKBT/U
- 0541-1275-02 PTO Clutch Assembly 24 V MDKBT/U
- 0541-0837-03 PTO Belt Guard
- 0541-1280-02 PTO Belt Guard
- 0190-0778 PTO Sound Shield "C" Front Panel
- 0541-1250 PTO Sound Shield "C" Front Panel
- 0541-1395 Sound Shield "C" Front Panel

Spec Sheet Description

Front power take-off (PTO) with clutch, flexible coupling and SAE B flange pump for 2 and 4 bolt mounting (12 or 24 V DC clutch), additional sound shield front panel or belt guard is required.

Description

The PTO has a flexible coupling electric clutch for direct drive of accessories. SAE type "B" 2 or 4 bolt pump mount.

Benefits

Allows net horsepower, which varies by model, to be used by accessories. Available power limited by engine horsepower or PTO assembly (see table below). PTO adds only about 6 in (152 mm) of length to genset. See genset outline drawing for exact dimensions.

Maximum Horsepower per SAE J1939

	at 1500 rpm	at 1800 rpm
MDKBD/P	26	31.2
MDKBE/R	30.6	36
MDKBF/S	36	36
MDKBT/U	40	40

Installation

Belt guard kit must be ordered for gensets without a sound shield. The "C" front panel must be ordered for gensets with a sound shield.



Kit Includes

- 0190-0776-0X and 0541-1275-0X
Clutch, mounting brackets, instruction sheet, and all necessary hardware to mount PTO assembly.
- 0541-0837-03 and 0541-1280-02
Belt guard, instruction sheet, and all necessary brackets and hardware.
- 0190-0778, 0541-1250, and 0541-1395
Front sound shield panel, PTO shield, and necessary hardware.

Compatibility

Part No.	Models	Instruction Sheet
0190-0776-01	12 V DC MDKBD/E/P/R	G-475
0190-0776-02	24 V DC MDKBD/E/P/R	G-475
0190-0776-03	12 V DC MDKBF/S	G-475
0190-0776-04	24 V DC MDKBF/S	G-475
0541-1275-01	12 V DC MDKBT/U	G-475
0541-1275-02	24 V DC MDKBT/U	G-475
0541-0837-03	MDKBD/E/F/P/R/S	M-108
0541-1280-02	MDKBT/U	G-724
0190-0778	MDKBD/E/F MDKBP/R/S (spec A)	M-108
0541-1250	MDKBP/R/S (spec B and later)	G-669
0541-1395	MDKBT/U	G-724

Instruction Sheet

See compatibility chart.

Power Take Off Conversions

PART NUMBER

- 0541-1133-01 Clutch, 12 V, 70 HP
- 0541-1133-02 Clutch, 24 V, 70 HP
- 0541-1133-03 Clutch, 12 V, 100 HP
- 0541-1133-04 Clutch, 24 V, 100 HP
- 0541-1139-01 PTO Mount Assembly
- 0541-1139-02 PTO Mount Assembly
- 0541-1128-02 PTO Belt Guard
- 0541-1140 PTO Sound Shield “C” Front Panel

Spec Sheet Description

Front power take off—12 V or 24 V—70 or 100 hp clutch with torsional coupling and configured for a “C” splined 1-1/4 in pump shaft (SAE J744).

Description

The PTO has a flexible coupling electric clutch for direct drive of accessories. SAE type “C” spline.

Benefits

Allows net horsepower, which varies by model, to be used by accessories (See table below). Available power may be limited by clutch.

Available Power, Prime

Model	RPM	HP (kW)
MDDCA	1800	60 (44)
MDDCB	1800	82 (61)
MDDCC	1800	97 (72)
MDDCD	1800	119 (89)
MDDCE	1800	148 (110)
MDDCF	1500	60 (44)
MDDCG	1500	75 (56)
MDDCH	1500	97 (72)
MDDCJ	1500	119 (89)

Compatibility

Part No.	Models	Instruction Sheet
0541-1133-01	MDDCA/B/C/D/E/F/G/H/J	None
0541-1133-02	MDDCA/B/C/D/E/F/G/H/J	None
0541-1133-03	MDDCA/B/C/D/E/F/G/H/J	None
0541-1133-04	MDDCA/B/C/D/E/F/G/H/J	None
0541-1139-01	MDDCA/B/C/F/G	G-632
0541-1139-02	MDDCD/E/H/J	G-632
0541-1128-02	MDDCA/B/C/D/E/F/G/H/J	G-633
0541-1140	MDDCA/B/C/D/E/F/G/H/J	G-633



Installation

PTO mount assembly (0541-1139-01) must be ordered for 4 cylinder engine models. PTO mount assembly (0541-1139-02) must be ordered for 6 cylinder engine models. See compatibility chart.

Belt guard (0541-1128-02) must be ordered for gensets without a sound shield. The “C” front panel (0541-1140) must be ordered for gensets with a sound shield.

Kit Includes

- 0541-1133-0X electric clutch
- 0541-1139-0X mounting brackets, engine vibration isolators, instruction sheet and all necessary hardware to mount PTO assembly.
- 0541-1128-02 Belt guard, instruction sheet, and all necessary brackets and hardware.
- 0541-1140 Front sound shield panel, PTO shield, instruction sheet, and all necessary hardware.

Instruction Sheet

See compatibility chart.

Vibration Isolators

PART NUMBER

**0541-1177-01 Secondary Vibration Isolators
(4 cyl. engine)**

**0541-1177-02 Secondary Vibration Isolators
(4 cyl. engine with PTO)**

**0541-1177-03 Secondary Vibration Isolators
(6 cyl. engine)**

**0541-1177-04 Secondary Vibration Isolators
(6 cyl. engine with PTO)**

Spec Sheet Description

Secondary vibration isolation system.

Description

Set of four vibration isolators mount between the vessel and genset base.

Benefits

Provides optimal vibration isolation for sensitive applications.

Compatibility

Part No.	Models
0541-1177-01	MDDCA/B/C/F/G
0541-1177-02	MDDCA/B/C/F/G (with PTO)
0541-1177-03	MDDCD/E/H/J
0541-1177-04	MDDCD/E/H/J (with PTO)

Installation

This kit will increase the overall height of the generator set by approximately 2.75 inches (65 mm).

Kit Includes

Four vibration isolators, four screws and washers and instruction sheet.

Instruction Sheet

G-648

Cooling System Accessories

PART NUMBER

0541-0876-01 Siphon Break

0541-0876-02 Siphon Break

0541-0877-01 Siphon Break

0541-1152 Siphon Break

Spec Sheet Description

Siphon break kit.

Description

Siphon break kit with hose barb connections.

Benefits

In installations where the genset water-exhaust mixer is less than 6 in. above the load water line, a siphon break is required. A siphon break will stop the flow of sea water into the engine due to siphon action when the genset is not running by allowing air into the system.

Compatibility

Part No.	Models
0541-0876-01	MDKAV/W/Z MDKBG/K/L/M/N MDKBD/E/F MDKBP/R/S
0541-0876-02	MDKAU/BH MGKBC/D
0541-0877-01	MDKBT/U
0541-1152	MDDCA/B/C/D/E/F/G/H/J

Kit Includes

0541-0876-01

Siphon break assembly, two hose clamps, two rubber grommets and instruction sheet.

0541-0876-02

Siphon break assembly, eight hose clamps, two rubber grommets, two pre-formed rubber hoses, two 3/4 in hose unions and instruction sheet.

0541-1152

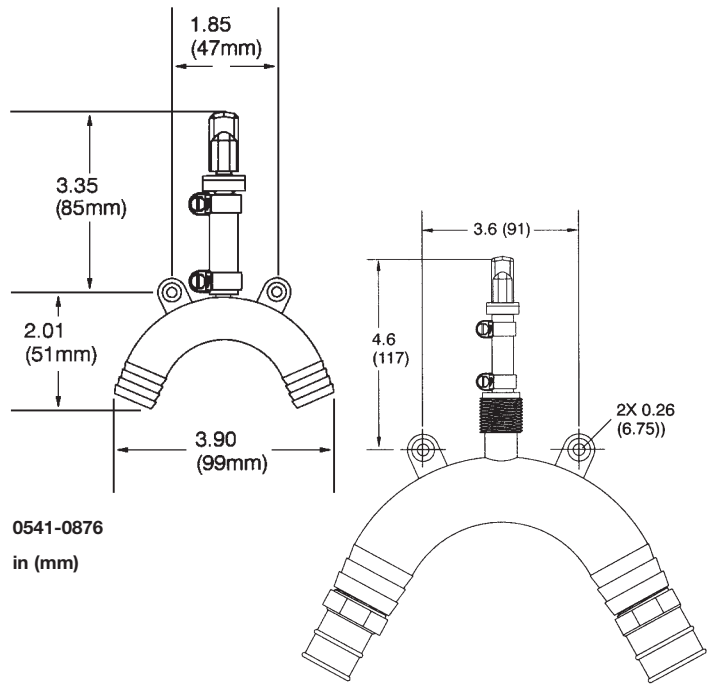
Siphon break assembly, six hose clamps, two rubber grommets, and instruction sheet.

0541-0877-01

Siphon break assembly, two hose clamps, two rubber grommets and instruction sheet.



0541-0876-01



0541-0876
in (mm)

0541-1152, 0541-0877-01

Instruction Sheet

G-567

PART NUMBER

0541-1255-01 Front (Engine End) Raw Water Inlet Kit

0541-1392-01 Front (Engine End) Raw Water Inlet Kit

Spec Sheet Description

Front (engine end) raw water inlet kit.

Description

This kit relocates the raw water inlet from the rear (generator end) to the front (engine end) for gensets equipped with sound shields.

Benefits

Generator set installations requiring moving the location of the raw water connection from the rear (generator end) to the front (engine end) can be accommodated by using this kit.

Compatibility

Part No.	Models
0541-1255-01	MDKBL/M/N (spec C or later)
0541-1392-01	MDKBT/U

Installation

Requires removal of the rear raw water inlet hose.

Kit Includes

0541-1255-01

Molded hose, hole plug, instruction sheet.

0541-1392-01

Molded hose, instruction sheet.

Instruction Sheet

G-673 for 541-1255-01

G-726 for 541-1392-01

Cooling System Accessories

PART NUMBER

0541-1255-02 Rear (Generator End) Raw Water Inlet Kit

0541-1255-03 Rear (Generator End) Raw Water Inlet Kit

0541-1392-02 Rear (Generator End) Raw Water Inlet Kit

Spec Sheet Description

Rear (generator end) raw water inlet kit.

Description

This kit relocates the raw water inlet from the front (engine end) to the rear (generator end) for gensets equipped with sound shields.

Benefits

Generator set installations requiring moving the location of the raw water connection from the front (engine end) to the rear (generator end) can be accommodated by using this kit.

Compatibility

Part No.	Models
0541-1255-02	MDKBL (spec C or later)
0541-1255-03	MDKBM/N (spec C or later)
0541-1392-02	MDKBT/U

Installation

Requires removal of the front raw water inlet hose.

Kit Includes

0541-1255-0X

Molded hose, hole plug, instruction sheet.

0541-1392-02

Two hoses, connector, two clamps, instruction sheet.

Instruction Sheet

G-673 for 0541-1255-0X

G-726 for 0541-1392-02

PART NUMBER

0155-3087 Keel Cooling Kit

Spec Sheet Description

Keel cooling conversion for dry exhaust.

Description

This kit replaces the seawater pump with a cover and eliminates the heat exchanger from the cooling system. The exhaust has to be converted to dry style with a separate kit. If the set to be converted has a sound shield, then the roof has to have a hole cut out for the exhaust exit and the exhaust elbow and fittings have to be lagged to prevent heat buildup inside the sound shield. The circulating pump can withstand no more than 1 psi in the external cooling circuit.

Benefits

This kit converts the engine cooling system from heat exchanger to keel cooling. If the exhaust needs to be converted to dry, a separate kit is required (ref. 0155-3094, 0155-2980).

Compatibility

This kit is for use with MDKBD/E/F/P/R/S.

Kit Includes

Auxiliary drive cover, cover seal, four bolts, inlet and outlet keel cooling assemblies, coolant hoses, instruction sheet.

Instruction Sheet

M-94



0155-3087

Cooling System Accessories

PART NUMBER

0155-3148-02 Keel Cooling with Wet Exhaust

Spec Sheet Description

Keel cooling conversion for wet exhaust.

Description

Keel cooling kit for wet exhaust contains parts required to convert from heat exchanger cooling to keel cooling. The raw water pump will still draw water from the sea and discharge it in the exhaust mixer.

Benefits

Converts genset from heat exchanger cooled and wet exhaust to keel cooled with wet exhaust.

Compatibility

This kit is for use with MDKBD/E/F/P/R/S.

Kit Includes

Keel cooling inlet and outlet assemblies, coolant hoses, elbow and adapter assembly, instruction sheet.

Instruction Sheet

M-94



0155-3148-02

PART NUMBER

0541-1124 Keel Cooling Expansion Tank, 4 Gal (15 L)

Spec Sheet Description

Keel cooling expansion tank, set-mountable.

Description

Set mountable, keel cooling expansion tank. 4 Gallon (15 liter) capacity.

Benefits

Keel cooling systems require extra expansion space for the increased volume of coolant. This kit provides a convenient method to mount the tank directly to the engine.

Compatibility

This kit is for use with MDDCA/B/C/D/E/F/G/H/J.

Installation

This kit is set mountable for gensets without a sound shield. See genset outline drawing for dimensions.

Kit Includes

Expansion tank, coolant hose adapter fittings, mounting brackets, all mounting hardware and instruction sheet.

Instruction Sheet

G-636

Cooling System Accessories

PART NUMBER

0333-0702-01 Coolant Heater, 110 V, 1000 W

0333-0702-02 Coolant Heater, 220 V, 1000 W

Spec Sheet Description

Coolant heater, 120 V or 240 V, 1000 W.

Description

1000 W direct immersion style coolant heater. Mounts in freeze out port in engine block. Includes 12 in (300 mm) cord.

Benefits

Warms engine to improve cold starting performance.

Compatibility

These kits are for use with MDDCA/B/C/D/E/F/G/H/J.

Kit Includes

Heater, cord and instruction sheet.

Instruction Sheet

Manufacturer instructions included.

Exhaust Accessories

PART NUMBER

- 0155-3240 Front (Engine End) Exhaust Outlet Kit
- 0155-3257 Front (Engine End) Exhaust Outlet Kit
- 0541-0852-02 Front (Engine End) Exhaust Outlet Kit
- 0541-0852-04 Front (Engine End) Exhaust Outlet Kit
- 0541-1243-02 Front (Engine End) Exhaust Outlet Kit
- 0541-1243-04 Front (Engine End) Exhaust Outlet Kit
- 0541-1253-01 Front (Engine End) Exhaust Outlet Kit
- 0541-1253-02 Front (Engine End) Exhaust Outlet Kit
- 0541-1282 Front (Engine End) Exhaust Outlet Kit

Spec Sheet Description

Front (engine end) exit (wet) exhaust tube kit.

Description

This kit relocates the wet exhaust outlet from the rear (generator end) to the front (engine end) for gensets equipped with sound shields.

Benefits

Generator set installations requiring moving the location of the exhaust connection from the rear (generator end) to the front (engine end) can be accommodated by using this kit.

Installation

Requires removal of rear out exhaust tube.

Compatibility

Part No.	Models	Instruction Sheet
0155-3240	MDKAV MDKBL (spec A-B)	M-100
0541-1253-01	MDKBL (spec C and later)	G-670
0155-3257	MDKAW/Z MDKBM/N (spec A-B)	M-100
0541-1253-02	MDKBM/N (spec C and later)	G-670
0541-0852-02	MDKBD/E MDKBP/R (spec A)	G-546
0541-1243-02	MDKBP/R (spec B and later)	G-671
0541-0852-04	MDKBF MDKBS (spec A)	G-546
0541-1243-04	MDKBS (spec B and later)	G-671
0541-1282	MDKBT/U	G-725



0155-3240

Kit Includes

0155-3240, 0155-3257

Grommet for sound shield exit hole, stainless steel formed tube, stainless steel clamps (4), molded 90° rubber elbow, instruction sheet.

0541-0852-02, -04 and 0541-1243-02, -04
Molded rubber hose, hole plug, instruction sheet.

0541-1253-01, -02

Molded 90° rubber elbow, stainless steel formed tube, straight hose, stainless steel clamps (4), instruction sheet.

0541-1282

Molded rubber hose, instruction sheet.

Instruction Sheet

See compatibility chart.

Exhaust Accessories

PART NUMBER

0541-0852-01 Rear (Generator End)
Exhaust Outlet Kit

0541-0852-03 Rear (Generator End)
Exhaust Outlet Kit

0541-1243-01 Rear (Generator End)
Exhaust Outlet Kit

0541-1243-03 Rear (Generator End)
Exhaust Outlet Kit

0541-1254-01 Rear (Generator End)
Exhaust Outlet Kit

0541-1254-02 Rear (Generator End)
Exhaust Outlet Kit

0541-1281 Rear (Generator End) Exhaust Outlet Kit

Spec Sheet Description

Rear exhaust outlet kit.

Description

This kit relocates the wet exhaust outlet from the front (engine end) to the rear (generator end).

Benefits

Generator set installations requiring moving the location of the exhaust connection from the front (engine end) to rear (generator end) can be accommodated using this kit.

Compatibility

Part No.	Models	Instruction Sheet
0541-1254-01	MDKBL (spec C and later)	G-672
0541-1254-02	MDKBM/N (spec C and later)	G-672
0541-0852-01	MDKBD/E MDKBP/R (spec A only)	G-546
0541-1243-01	MDKBP/R (spec B and later)	G-671
0541-0852-03	MDKBF MDKBS (spec A only)	G-546
0541-1243-03	MDKBS (spec B and later)	G-671
0541-1281	MDKBT/U	G-725



0541-0852-01

Kit Includes

0541-1281

Molded rubber hose, instruction sheet.

Others

Molded Rubber hose, hole plug, instruction sheet.

Instruction Sheet

See compatibility chart.

PART NUMBER

- 0155-2030 Muffler–Water Lift (2 in OD)
- 0155-3222 Muffler–Water Lift (2 in OD Inlet x 2.5 in OD Outlet)
- 0541-1134 Muffler–Water Lift (4 in OD)
- 0541-1270 Muffler–Water Lift (3 in OD)

Spec Sheet Description

Marine water lift muffler.

Description

Marine water lift muffler has a water drain near the bottom for winterization. 0155-2030 has 2 in (50.8 mm) side inlet and 2 in (50.8 mm) top outlet. 0155-3222 has a 2 in (50.8 mm) side inlet and 2.5 in (63.5 mm) top outlet. 0541-1134 has a 4.0 in (102 mm) side inlet and 4.0 in (102mm) top outlet. 0541-1270 has a 3.0 in (76mm) side inlet and 3.0 in (76mm) top outlet.

Benefits

Provides water lift capability for normal installations of the set below seawater level, transferring a mixture of raw water and engine exhaust as well as reducing the exhaust noise from the engine.

Compatibility

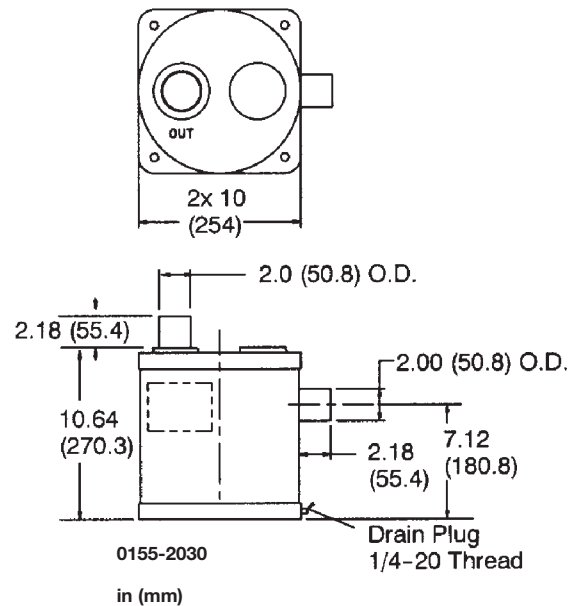
Part No.	Models
0155-2030	MDKAU/V/W/Z MDKBG/H/K/L/M/N MDKBD/E/F MDKBP/R/S MGKBC/D
0155-3222	MDKBD/E/F MDKBP/R/S When 2.5 in ID hose is required to reduce back pressure
0541-1134	MDDCA/B/C/D/E/F/G/H/J
0541-1270	MDKBT/U

Kit Includes

- 0155-XXXX
Lift muffler, sea water strainer, hose clamps (8), instruction sheet.
- 0541-1134
Lift muffler, hose clamps (8), instruction sheet
- 0541-1270
Lift muffler, sea water strainer, hose clamps (6), instruction sheet.



0155-2030



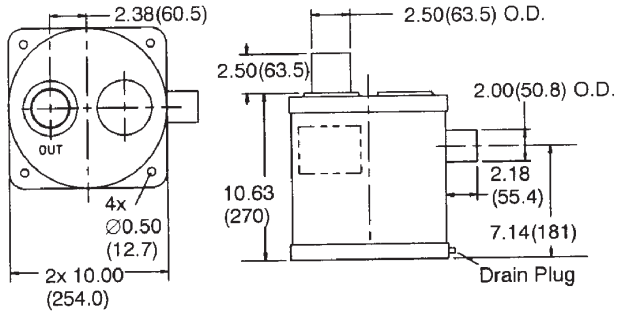
Instruction Sheet

M-98

Continued on next page.

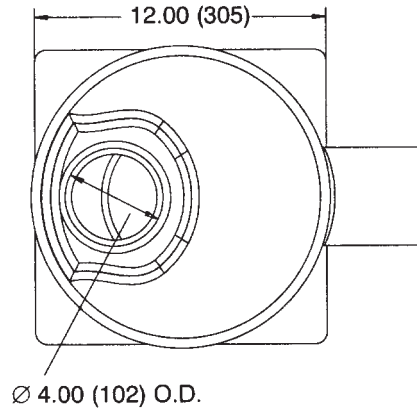
Exhaust Accessories

Continued from previous page.



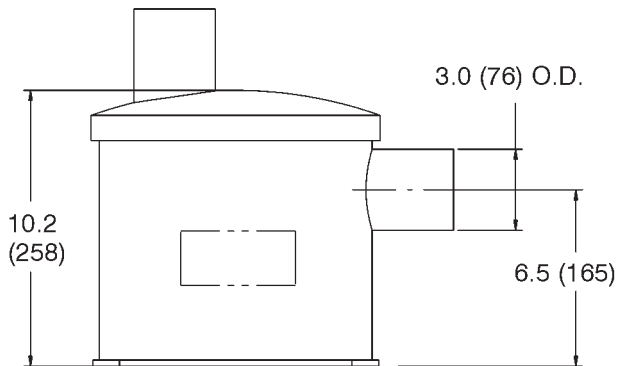
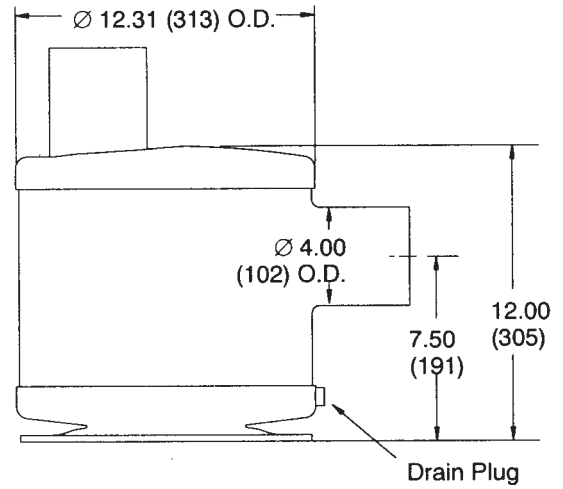
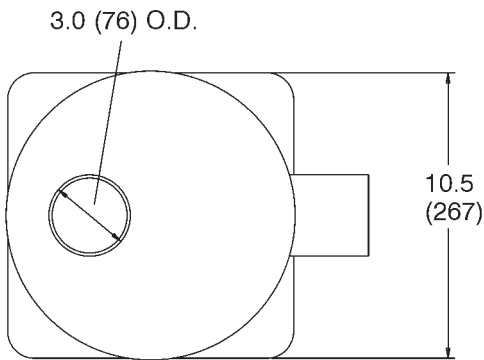
0155-3222

in (mm)



0541-1134

in (mm)



0541-1270

in (mm)

PART NUMBER

- 0155-3216 Water-Exhaust Separator (2 in OD)**
- 0155-3224 Water-Exhaust Separator (2.5 in OD)**
- 0541-1136 Water-Exhaust Separator (4 in OD)**
- 0541-1274 Water-Exhaust Separator (3 in OD)**

Spec Sheet Description

Water separator.

Description

The water separator is to be located after the water lift muffler. It has an engine exhaust inlet and outlet and a third outlet for draining the water.

Benefits

The separator installs downstream from a water lift muffler, but above the sea level for gravity-forced draining, and separates the engine exhaust from the seawater. Provides excellent silencing of exhaust exit noise and splashing noticed in standard water lift muffler-alone installations. This kit installation requires an additional discharge-through-hull fitting to drain the seawater out of the genset exhaust.

Compatibility

Part No.	Models
0155-3216	MDKAU/V/W/Z MDKBG/H/K/L/M/N MDKBD/E MDKBP/R MGKBC/D
0155-3224	MDKBD/E/F MDKBP/R/S When 2.5 in ID hose is required to reduce back pressure
0541-1136	MDDCA/B/C/D/E/F/G/H/J
0541-1274	MDKBT/U

Kit Includes

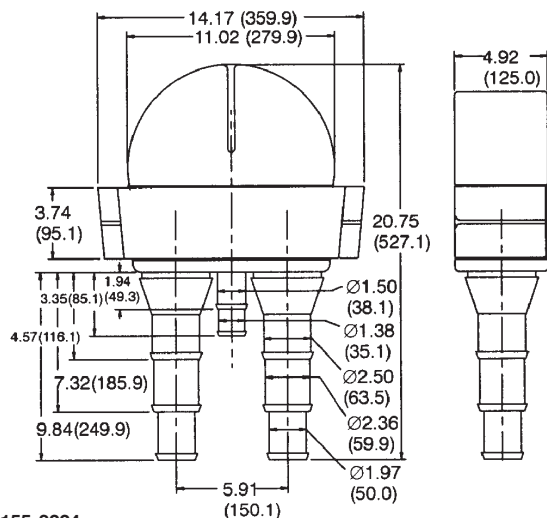
Water separator, hose clamps (4) for exhaust, (4) for seawater, instruction sheet.

Instruction Sheet

M-98



0155-3216



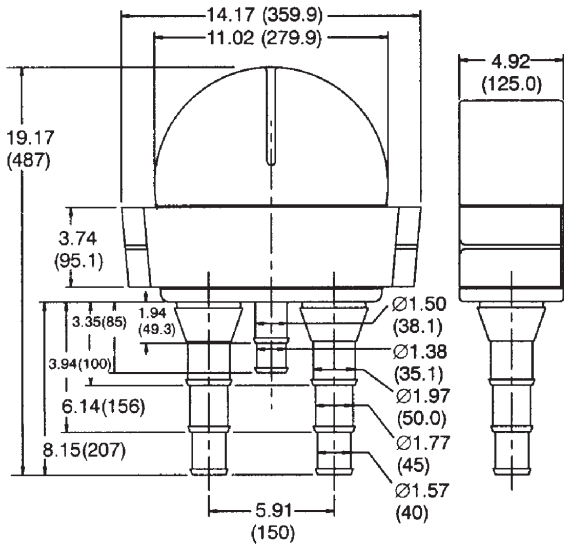
0155-3224

in (mm)

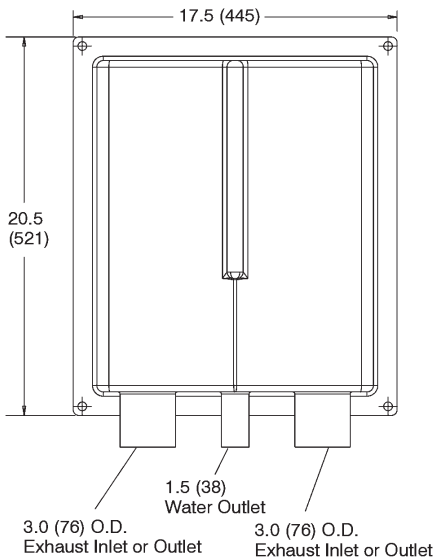
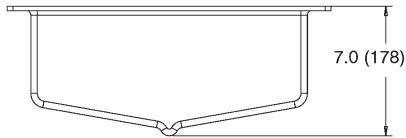
Continued on next page.

Exhaust Accessories

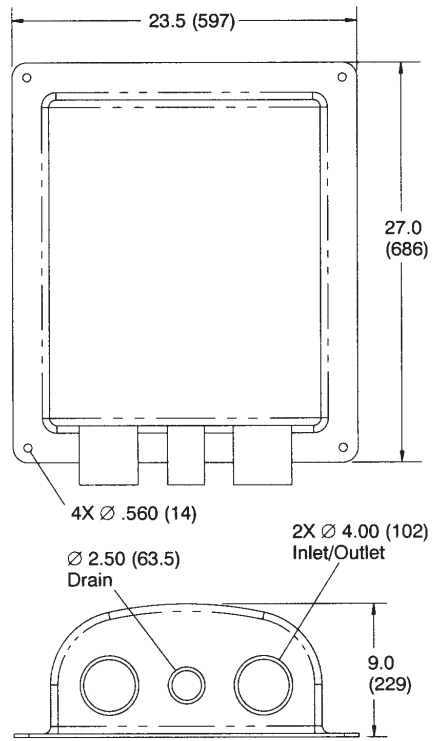
Continued from previous page.



0155-3216
in (mm)



0541-1274
in (mm)



0541-1136
in (mm)

PART NUMBER

0155-3217 Muffler–Water Lift and Water Exhaust Separator (2 in OD, dual silencers)

0155-3223 Muffler–Water Lift and Water Exhaust Separator (2.5 in OD, dual silencers)

Spec Sheet Description

Marine muffler, water separator.

Description

This kit includes both a water lift muffler and a water exhaust separator.

Dimensions

0155-3217

Water lift muffler—refer to 0155-2030

Water exhaust separator—refer to 0155-3216

0155-3223

Water lift muffler—refer to 0155-3222

Water exhaust separator—refer to 0155-3224

Benefits

Water lift muffler in combination with a water exhaust separator for superior noise reduction and elimination of water splashing outside the boat during genset operation. This kit installation requires an additional discharge-through-hull fitting to drain the seawater out of the genset exhaust.

Compatibility

Part No.	Models
0155-3217	MDKAU/V/W/Z MDKBG/H/K/L/M/N MDKBD/E MDKBP/R MGKBC/D
0155-3223	MDKBD/E/F MDKBP/R/S

When 2.5 in ID hose is required to reduce back pressure



0155-3217

Kit Includes

Water lift muffler, water exhaust separator, stainless steel hose clamps (14), strainer for raw water supply, and instruction sheet.

Instruction Sheet

M-98

Exhaust Accessories

PART NUMBER

0155-3147 Muffler–Water Lift and Resonator (2 in OD, dual silencers)

0155-3239 Water–Exhaust Resonator Only (2 in OD)

Spec Sheet Description

Marine mufflers and resonator dual silencers.

Description

Water lift muffler and resonator kit combination and a resonator only kit.

Benefits

10 kW (60 Hz) and smaller output can have their exhaust noise reduced with the addition of the resonator. The resonator must be installed as a secondary muffler with a water lift muffler upstream for proper operation.

Compatibility

These kits are for use with:

MDKAU/V
MDKBG/H/K/L
MGKBC/D

Kit Includes

0155-3147

Marine muffler, seawater strainer, hose clamps (12), resonator, instruction sheet.

0155-3239

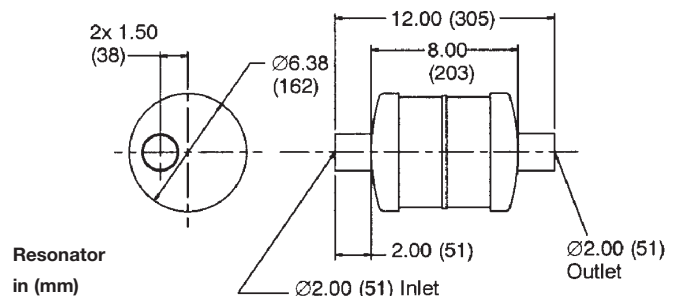
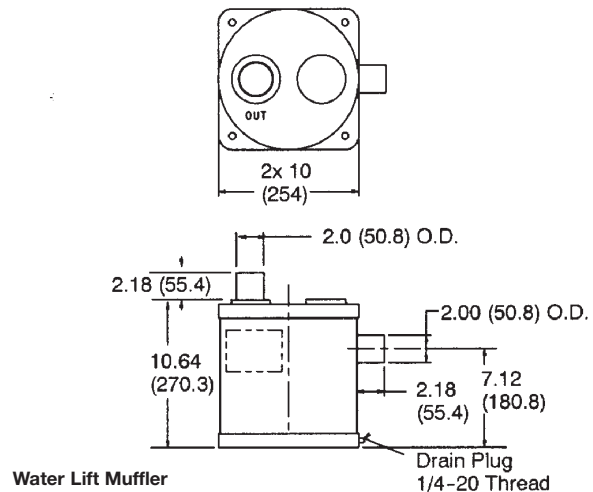
Resonator and instruction sheet.

Instruction Sheet

M-98



0155-3147



PART NUMBER

0541-0599 Muffler–Water Lift (with built-in resonator, 2 in OD)

Spec Sheet Description

Water lift muffler.

Description

Marine water lift muffler with built-in resonator. 2 in (50.8 mm) side inlet and 2 in (50.8 mm) top outlet. This muffler/resonator has excellent attenuation on sets below 10 kW that are operating at 1800 rpm or higher nominal speed. As indicated in the sketch below, overall footprint is 24 in L x 8.36 W x 8.36 H.

Benefits

A water lift muffler is required to expel the seawater mixed with engine exhaust for the typical genset installation below sea level. This muffler can be installed with or without a separate water separator. The muffler has 2-in OD barb connections for both supply and outlet for use with a marine exhaust rated hose and double clamps (8 stainless steel clamps supplied in the kit) at each connection. Mounting holes are provided for attaching to the boat's support platform and a drain outlet with a plug for removing water for winterizing. Use the installation instructions that are supplied with each kit for more detailed information.

Compatibility

This kit is for use with:
MDKAU/V
MDKBG/H/K/L
MGKBC/D

Kit Includes

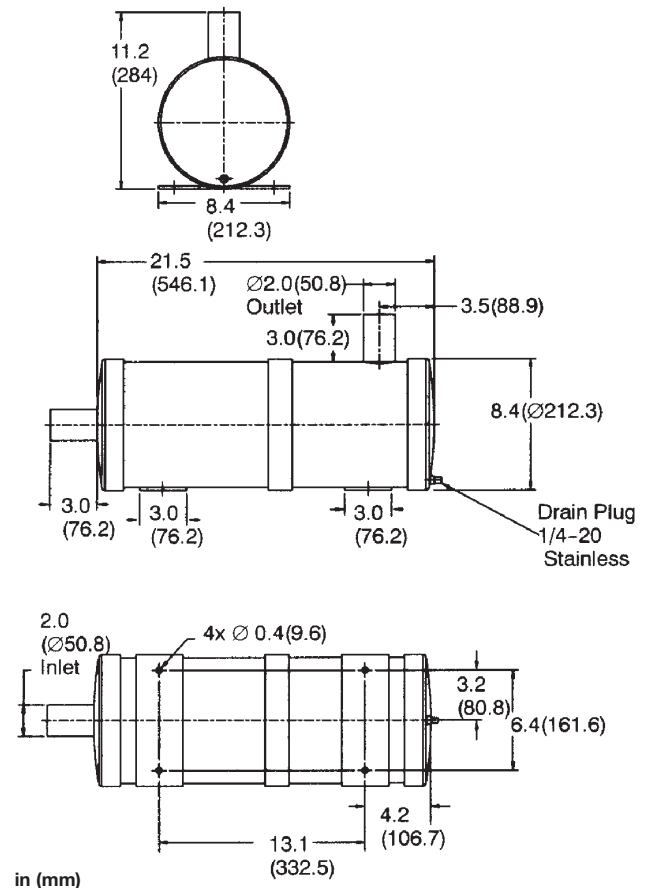
Marine muffler, hose clamps (8), instruction sheet.

Instruction Sheet

M-98



0541-0599



Exhaust Accessories

PART NUMBER

0503-1353 Exhaust Hose (2 in (5.1 cm) ID x 10 ft (3.1 m) long)

0503-1302 Exhaust Hose (2.5 in (6.35 cm) ID x 10 ft (3.1 m) long)

0541-1137 Exhaust Hose (4 in (10.2 cm) ID x 12.5 ft (3.8 m) long)

Spec Sheet Description

Wet exhaust hose.

Description

Exhaust hose made from black plioflex synthetic rubber, reinforced with synthetic fabric and wire helix.

Benefits

This is a marine exhaust hose for diesel engines. It is constructed to meet the Underwriters Laboratories Specification 1129 applicable to marine exhaust systems. It is Type Certified per ABYC specification P-1.

Compatibility

Part No.	Models
0503-1353	MDKAU/V/W/Z MDKBG/H/K/L/M/N MDKBD/E/F MDKBP/R/S MGKBC/D
0503-1302	MDKBD/E/F MDKBP/R/S When 2.5 in ID hose is required to reduce back pressure
0541-1137	MDDCA/B/C/D/E/F/G/H/J

Kit Includes

Marine exhaust hose.

Instruction Sheet

None.

PART NUMBER

0155-2033 Exhaust Tube (2 in (5.1 cm) OD 90 degree elbow)

Spec Sheet Description

Wet exhaust stainless steel elbow.

Description

Stainless steel 90° elbow with barb ends for marine exhaust systems.

Benefits

This elbow allows redirecting marine set exhaust in a tight space with its 2-in OD tube size.

Compatibility

This kit is for use with:

- MDKAU/V/W/Z
- MDKBG/H/K/L/M/N
- MDKBD/E/F
- MDKBP/R/S
- MGKBC/D

Kit Includes

Stainless steel elbow.

Instruction Sheet

None.



0155-2033

Exhaust Accessories

PART NUMBER

0155-3146 Dry Exhaust—Oriented Up or Down Steel Fitting

0155-3094 Dry Exhaust—Oriented Down Steel Fitting

0155-2980 Dry Exhaust—Oriented Up

0541-1272-01 Dry Exhaust

Spec Sheet Description

Dry exhaust conversion kit.

Description

Dry exhaust elbow with flange to bolt onto engine exhaust manifold. Exhaust can be oriented up or down. Not compatible with sound shields in the down position. When exhaust is oriented up, installer is required to machine sound shield roof panel for exhaust tube and insulate dry exhaust fittings inside sound shield. 0155-3146 has an 1 1/4 in NPT male threads for connecting to a flexible exhaust hose. 0155-3094, 0155-2980, and 541-1272-01 have 2 in NPT female pipe thread connections.

Benefits

Converts genset to dry exhaust configuration for typical commercial/work boat installation.

Compatibility

0155-3146 is for MDKAV/W/Z, MDKBG/K/L/M/N and can be oriented up or down.

0155-3094 is for MDKBD/E/F/P/R/S for exhaust oriented down.

0155-2980 is for MDKBD/E/F/P/R/S for exhaust oriented up.

0541-1272-01 is for MDKBT/U

Kit Includes

0155-3146

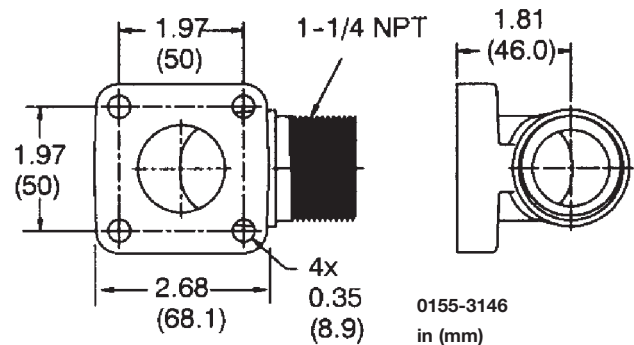
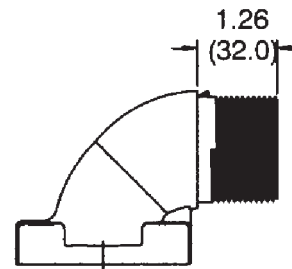
Exhaust elbow (1-1/4 in NPT thread), gasket, M8 bolts (4), M8 lock washers (4).

0155-3094

Exhaust flange, reducing bushing (1 1/2 x 2 in NPT) gasket, Allen screw (3), M6 washers (3), instruction sheet.



0155-2980



0155-3146
in (mm)

0155-2980

Exhaust adapter, riser gasket, exhaust flange, exhaust adapter gasket, reducing bushing (1 1/2 x 2 in NPT) M8 screws (8), M2 washers (8), instruction sheet.

541-1272-01

Exhaust elbow, gasket, plug for wet exhaust outlet, instruction sheet.

Instruction Sheet

M-95 for 0155-3094

M-93 for 0155-2980

G-727 for 0541-1272-01

PART NUMBER

0155-0077 Muffler, Dry

0155-2063-09 Muffler–Industrial, Dry

0155-2064-09 Muffler–Critical or Residential, Dry

Spec Sheet Description

Dry exhaust muffler.

Description

Inline muffler for dry exhaust. 0155-0077 has 1 1/4 in and 1 1/2 in pipe threads. 0155-2063-09 and 0155-2064-09 have 2 in pipe threads.

Benefits

Mufflers provide sound attenuation for dry exhaust applications. Use 0155-2064-09 over 0155-2063-09 for increased sound attenuation.



0155-2063-09

Compatibility

Part No.	Models
0155-0077	MDKAV/W/Z MDKBG/K/L/M/N
0155-2063-09	MDKBD/E/F MDKBP/R/S MDKBT/U
0155-2064-09	MDKBD/E/F MDKBP/R/S MDKBT/U

Kit Includes

Muffler

Instruction Sheet

None.

Exhaust Accessories

PART NUMBER

**0155-2355-02 Flexible Exhaust Tube for Dry Exhaust,
(1 1/4 in NPT 18 in (46 cm) long)**

**0155-2355-04 Flexible Exhaust Tube for Dry Exhaust,
(2 in NPT 18 in (46 cm) long)**

**0155-2356-01 Flexible Exhaust Tube for Dry Exhaust,
(8-bolt flange 18 in (46 cm) long)**

Spec Sheet Description

Flexible exhaust stainless steel tube assembly.

Description

18 in (46 cm) long flexible exhaust tube for dry exhaust. Type 321 stainless steel tubing, spiral or annular corrugated open pitch.

Benefits

Flexible exhaust tube provides vibration isolation in dry exhaust installations.

Compatibility

Part No.	Models
0155-2355-02	MDKAV/W/Z MDKBG/K/L/M/N
0155-2355-04	MDKBD/E/F MDKBP/R/S MDKBT/U
0155-2356-01	MDDCA/B/C/D/E/F/G/H/J Requires option E119

Kit Includes

Flexible exhaust tube.

Instruction Sheet

None.



0155-2355-04

PART NUMBER

0541-1272-02 Dry Exhaust Flange

Spec Sheet Description

Dry exhaust flange (ASME B16.5, NPS 2, Class 150).

Description

2 inch NPT to round flange adapter. The flange complies with ASME B16.5 NPS 2, Class 150.

Benefits

Converts the standard dry exhaust elbow with 2 inch NPT threads to a round four-bolt flange.

Compatibility

This kit is for use with MDKBP/R/T/U equipped with dry exhaust.

Installation

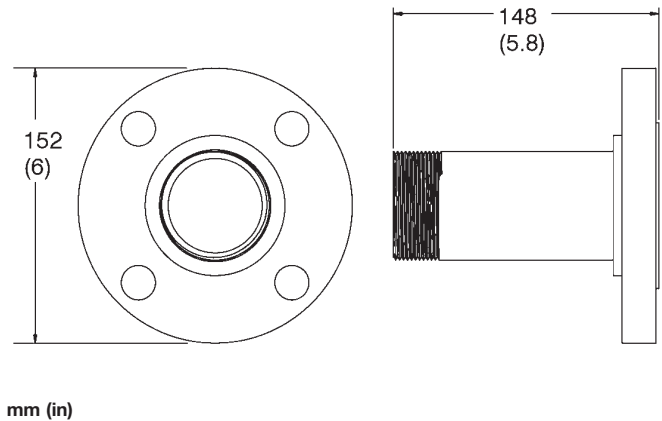
Exhaust adapter screws into standard dry exhaust elbow.

Kit Includes

Exhaust adapter and instruction sheet.

Instruction Sheet

G-727



Fuel System Accessories

PART NUMBER

0541-1251-01 Front (Engine End) Fuel System Connection Kit

0541-1252-01 Front (Engine End) Fuel System Connection Kit

Spec Sheet Description

Front (engine end) fuel system kit.

Description

This kit relocates the fuel system connections from the rear (generator end) to the front (engine end) for gensets equipped with sound shields.

Benefits

Generator set installations requiring moving the location of the fuel system connection from the rear (generator end) to the front (engine end) can be accommodated by using this kit.

Compatibility

Part No.	Models
0541-1251-01	MDKBL/M/N (spec C or later)
0541-1252-01	MDKBP/R/S (spec B or later)

Kit Includes

0541-1251-01

Fuel hose, hole plug (2), instruction sheet.

0541-1252-01

Fuel bracket, grommet (2), Screws (2), Hole plug (2), instruction sheet.

Instruction Sheet

G-674

PART NUMBER

0541-1251-02 Rear (Generator End) Fuel System Connection Kit

Spec Sheet Description

Rear (generator end) fuel system kit.

Description

This kit relocates the fuel system connections from the front (engine end) to the rear (generator end) for gensets equipped with sound shields.

Benefits

Generator set installations requiring moving the location of the fuel system connection from the front (engine end) to the rear (generator end) can be accommodated by using this kit.

Compatibility

MDKBL/M/N (spec C or later).

Kit Includes

Fuel hose, hole plug (2), instruction sheet.

Instruction Sheet

G-674

Fuel System Accessories

PART NUMBER

0149-2073 Remote Fuel/Water Separator, 30 Micron

Spec Sheet Description

Remote fuel filter/water separator assembly.

Description

USCG-approved, secondary fuel filter/water separator—a complete filter assembly with 1/4-in NPT connections for fuel inlet and outlet. Also includes a separate mounting bracket and reducer fittings for 1/8-inch NPT internal thread connections.

Benefits

This filter can be remote mounted at a convenient location for ease of service and accessibility for operator convenience. The filter element has a nominal rating of 30 micron.

Service

The replacement service part no. is 149-1914-02.

Compatibility

This kit is for use with:

MDKAU/V/W/Z

MDKBG/H/K/L/M/N

MDKBD/E/F

MDKBP/R/S/T/U

Kit Includes

Fuel filter and mounting head assembly, mounting bracket, 1/8 NPT elbow and reducer bushing (two of 1/4 x 1/8 NPT).

Instruction Sheet

None.



0149-2073

PART NUMBER

0149-2651 Adapter Kit—Fuel (fittings—5/16 in hose barb connection)

0149-2654 Adapter Kit—Fuel (fittings—5/16 in hose barb connection)

0149-2655 Adapter Kit—Fuel (fittings—3/8 in hose barb connection)

Spec Sheet Description

Fuel supply and return hose barb connectors.

Description

This kit converts the fuel line supply and return connections from NPT internal threads to flexible hose.

Kit 0149-2651 1/8" NPT pipe thread to 5/16 in ID hose

0149-2654 1/4" NPT pipe thread to 5/16 in ID hose

0149-2655 1/4" NPT pipe thread to 3/8 in ID hose

Benefits

These fittings allow fuel connections to be made at the genset with flexible rubber hose.

Compatibility

Part No.	Models
0149-2651	MDKAU, MDKBH
0149-2654	MDKAV/W/Z MDKBG/K/L/M/N MDKBD/E/F MDKBP/R/S/T/U
0149-2655	MDKAV/W/Z MDKBG/K/L/M/N MDKBD/E/F MDKBP/R/S/T/U

Kit Includes

Two hose barb fittings.

Instruction sheet

None.



0155-2655

Fuel System Accessories

PART NUMBER

0149-2612 Adapter Fitting—Metric (1/4 in NPT x 8 mm pipe)

Spec Sheet Description

Adapter Fitting—metric (1/4 in NPT x 8-mm pipe).

Description

This kit converts the fuel line supply and return connections from 1/4-in NPT internal thread to 8 mm pipe compression-style connection.

Benefits

The fittings come with the compression nut assembly, so that an 8 mm copper or steel tubing will fit directly, and can be connected directly to the genset.

Compatibility

This kit is for use with:

MDKAV/W/Z

MDKBG/K/L/M/N

MDKBD/E/F

MDKBP/R/S/T/U

Kit Includes

Two fittings with 1/4 male thread x 8 mm pipe compression fitting.

Instruction Sheet

None.



0149-2612

PART NUMBER

0541-1158-01 Auxiliary Electric Fuel Pump 12 V

0541-1158-02 Auxiliary Electric Fuel Pump 24 V

Spec Sheet Description

Electric fuel transfer pump for increased fuel lift capability.

Description

12 or 24 V electric fuel pump mounts on genset.

Benefits

These kits are for applications that need extra lift capability. The engine comes standard with a mechanical fuel transfer pump that has a lift capability of 8 in Hg (27 kPa). These electric pumps increase the fuel lift capability to 18 in Hg (60 kPa).

Compatibility

These kits are for use with MDDCA/B/C/D/E/F/G/H/J.

Kit Includes

Electric pump, bracket, hose, mounting hardware and instruction sheet.

Instruction Sheet

G-644

Service Parts

PART NUMBER

- 0100-3478-08 Cruise Kit (MDKAU)
- 0100-3478-58 Cruise Kit (MDKBH)
- 0100-3478-02 Cruise Kit (MDKAV/W/Z, MDKBG)
- 0100-3478-52 Cruise Kit (MDK BK/L/M/N)
- 0100-3478-04 Cruise Kit (MDKBD/E)
- 0100-3478-54 Cruise Kit (MDKBP/R)
- 0100-3478-06 Cruise Kit (MDKBF)
- 0100-3478-56 Cruise Kit (MDKBS)
- 0100-3478-05 Cruise Kit (MDKBD/E/F isolated ground)
- 0100-3478-55 Cruise Kit (MDKBP/R/S isolated ground)
- 0100-3478-09 Cruise Kit (MGKBC/D)
- 0100-3478-60 Cruise Kit (MDKBT/U)

Spec Sheet Description

Cruise kit—maintenance parts—fuel filters, oil filters, raw water pump impellers, zinc pencils and alternator belt, plastic container.

Description

Standard maintenance components for the generator set in a convenient storage container.

Benefits

Kit eliminates the guesswork in trying to identify the parts and part numbers needed and verifies that the components have been checked to fit the specific revision of the genset. When certain items are used they can be replenished as needed.

Service

The sturdy container can also be used to store additional parts related to the boat's electrical/machinery system. Part numbers of each of the components in the kit can be retrieved from the maintenance label on the genset.

Compatibility

These kits are for use with QG and QD Series generator sets as specified above.



0100-3478-08

Kit Includes

Kit Part No.	Kit Includes
0100-3478-08	Fuel filters (2), oil filters (2), sea water pump impellers (2), raw water pump belt, oil filter wrench, and plastic container
0100-3478-58	Fuel filters (2), oil filters (2), sea water pump impellers (2) raw water pump belt, oil filter wrench, plastic container, and laminated service and maintenance schedule
0100-3478-02 0100-3478-04 0100-3478-06 0100-3478-05	Fuel filters (2), oil filters (2), sea water pump impellers (2), alternator belt, zinc anode (2), and plastic container
0100-3478-52 0100-3478-54 0100-3478-56 0100-3478-55 0100-3478-60	Fuel filters (2), oil filters (2), sea water pump impellers (2), alternator belt, zinc anode (2), plastic container, and laminated service and maintenance schedule
0100-3478-09	Fuel filters (2), oil filters (2), sea water pump impellers (2), raw water pump belt, oil filter wrench, spark plugs (2), and plastic container

Instruction Sheet

None.

PART NUMBER

0525-0736 Paint, Cloud White (1 gallon)

0525-0736-01 Paint, Cloud White (12 oz. spray can)

Spec Sheet Description

Not listed on spec sheet.

Description

Cloud white paint.

Benefits

These kits are used for touchup or rework of sound enclosure panels.

Compatibility

These parts are for use with all QG and QD Series generator sets.

Kit Includes

0525-0736 includes 1 gallon can of paint.

0525-0736 includes 12 oz. pressurized spray can.

Instruction Sheet

None.

Part Number Index

Part number	Description	Page
0100-3478-XX	Cruise kits	69
0123-2252	Low/High Oil Level Switch	26
0149-2073	Remote Fuel/Water Separator, 30 Micron	60
0149-2612	Adapter Fitting—Metric (1/4 in NPT x 8 mm pipe)	62
0149-2651	Adapter Kit—Fuel (fittings—5/16 in hose barb connection)	61
0149-2654	Adapter Kit—Fuel (fittings—5/16 in hose barb connection)	61
0149-2655	Adapter Kit—Fuel (fittings—3/8 in hose barb connection)	61
0155-0077	Muffler, Dry.....	55
0155-2030	Muffler—Water Lift (2 in OD)	45
0155-2033	Exhaust Tube, (2 in (5.1 cm) OD, 90 degree elbow).....	53
0155-2063-09	Muffler—Industrial, Dry	55
0155-2064-09	Muffler—Critical or Residential, Dry	55
0155-2355-02	Flexible Exhaust Tube for Dry Exhaust (1 1/4 in NPT 18 in (46 cm) long)	56
0155-2355-04	Flexible Exhaust Tube for Dry Exhaust, (2 in NPT 18 in (46 cm) long)	56
0155-2356-01	Flexible Exhaust Tube for Dry Exhaust (8-bolt flange 18 in (46 cm) long)	56
0155-2980	Dry Exhaust—Oriented Up	54
0155-3087	Keel Cooling Kit	39
0155-3094	Dry Exhaust—Oriented Down Steel Fitting	54
0155-3146	Dry Exhaust—Oriented Up or Down Steel Fitting	54
0155-3147	Muffler—Water Lift and Resonator (2 in OD, dual silencers)	50
0155-3148-02	Keel Cooling with Wet Exhaust	40
0155-3216	Water—Exhaust Separator (2 in OD).....	47
0155-3217	Muffler—Water Lift and Water Exhaust Separator (2 in OD, dual silencers).....	49
0155-3222	Muffler—Water Lift (2 in OD Inlet x 2.5 in OD Outlet)	45
0155-3223	Muffler—Water Lift and Water Exhaust Separator (2.5 in OD, dual silencers)	49
0155-3224	Water—Exhaust Separator (2.5 in OD)	47
0155-3239	Water—Exhaust Resonator Only (2 in OD)	50
0155-3240	Front (Engine End) Exhaust Outlet Kit	43
0155-3257	Front (Engine End) Exhaust Outlet Kit	43
0190-0776-01	PTO Clutch Assembly 12 V	33
0190-0776-02	PTO Clutch Assembly 24 V	33
0190-0776-03	PTO Clutch Assembly 12 V	33
0190-0776-04	PTO Clutch Assembly 24 V	33
0190-0778	PTO Sound Shield “C” Front Panel	33
0300-4434	Alternator Space Heater, 120 VAC.....	31
0300-4435	Alternator Space Heater, 240 VAC.....	31
0300-4686-01	Low Coolant Level Switch Kit	25
0300-4835-03	Dual Gauge Panel Momentary Switch	21
0300-5464	Isolated Ground Conversion 12 V	22
0300-5725-01	Basic Panel 12 V.....	10
0300-5725-02	Basic Panel 24 V.....	10
0300-5726-01	Deluxe Panel 12 V.....	11

Part number	Description	Page
0300-5726-02	Deluxe Panel 24 V.....	11
0300-5727-01	Deluxe Panel 12 V.....	12
0300-5727-02	Deluxe Panel 24 V.....	12
0300-5464	Isolated Ground Conversion 12 V	22
0300-5899-01	Basic Panel 12 V.....	10
0300-5899-02	Basic Panel 24 V.....	10
0300-5944-03	Set-Mounted Series Digital Display	6
0308-0269	2-Wire, 120 V AC Manual Transfer Switch.....	23
0308-0270	3-Wire, 120/240 V AC Manual Transfer Switch	23
0320-1666-XX	AC Output Breakers	27
0320-1689-XX	AC Output Breakers	27
0320-1836-XX	AC Output Breakers	27
0320-1891-XX	AC Output Breakers	27
0320-1959-XX	AC Output Breakers	29
0320-1960-XX	AC Output Breakers	29
0320-2332-XX	AC Output Breakers	27
0332-3771	DC Terminal Boot Kit (for battery connections at bulkhead).....	24
0333-0445	Alternator Space Heater, 110–125 VAC	31
0333-0446	Alternator Space Heater, 220–260 VAC	31
0333-0702-01	Coolant Heater, 110 V, 1000 W	42
0333-0702-02	Coolant Heater, 220 V, 1000 W	42
0338-3167	Remote Panel Harness 15 ft (4.5 m)	17
0338-3168	Remote Panel Harness 25 ft (7.6 m)	17
0338-3169	Remote Panel Harness 45 ft (13.7 m)	17
0338-3169-01	Remote Panel Harness 75 ft (22.8 m)	17
0338-3169-02	Remote Panel Harness 100 ft (30.4 m)	17
0338-3169-03	Remote Panel Harness 150 ft (45.6 m)	17
0338-4016	Harness Y Adapter for Remote Dual Stations.....	18
0338-4017	Harness—Pigtail at Remote Panel	19
0338-4223	Harness—Pigtail at Genset (8 ckt)	20
0338-4500	Harness—Pigtail at Genset (12 ckt)	20
0416-0796	Battery 12 V—660 CCA	30
0416-0823	Battery 12 V—620 CCA	30
0503-1302	Exhaust Hose (2.5 in (6.35 cm) ID x 10 ft (3.1 m) long).....	52
0503-1353	Exhaust Hose (2 in (5.1 cm) ID x 10 ft (3.1 m) long)	52
0525-0736	Paint, Cloud White (1 gallon)	65
0525-0736-01	Paint, Cloud White (12 oz. spray can)	65
0541-0583	Module—No Gauges 12 V	5
0541-0584	Module—No Gauges 24 V	5
0541-0588	Sound Shield	2
0541-0589	Sound Shield	2
0541-0590	Belt Guard	3

Part Number Index

Part number	Description	Page
0541-0599	Muffler—Water Lift (with built-in resonator, 2 in OD)	51
0541-0822	Isolated Ground Conversion 12 V	22
0541-0823	Isolated Ground Conversion 12 V	22
0541-0824	Isolated Ground Conversion 24 V	22
0541-0830-01	Sound Shield	2
0541-0830-02	Sound Shield	2
0541-0837-01	Belt Guard	3
0541-0837-02	Belt Guard	3
0541-0837-03	PTO Belt Guard	33
0541-0852-01	Rear (Generator End) Exhaust Outlet Kit	44
0541-0852-02	Front (Engine End) Exhaust Outlet Kit	43
0541-0852-03	Rear (Generator End) Exhaust Outlet Kit	44
0541-0852-04	Front (Engine End) Exhaust Outlet Kit	43
0541-0876-01	Siphon Break	36
0541-0876-02	Siphon Break	36
0541-0877-01	Siphon Break	36
0541-0941-01	Harness Kit—Remote Start/Stop Switch with Connector 12 V.....	16
0541-0941-02	Harness Kit—Remote Start/Stop Switch with Connector 24 V.....	16
0541-0946-0X	AC Output Breakers	27
0541-1124	Keel Cooling Expansion Tank, 4 Gal (15 L).....	42
0541-1126-01	Sound Shield	2
0541-1126-02	Sound Shield	2
0541-1127-01	Sound Shield	2
0541-1128-01	Belt Guard	3
0541-1128-02	PTO Belt Guard	34
0541-1129-01	Blank Panel with Start/Stop Switch 12 V.....	7
0541-1129-02	Blank Panel with Start/Stop Switch 24 V.....	7
0541-1130	Series Digital Display	15
0541-1131-01	Harness Kit-Remote Start/Stop Switch with Connector 12 V.....	16
0541-1131-02	Harness Kit-Remote Start/Stop Switch with Connector 24 V.....	16
0541-1132-01	Circuit Breaker Mounting Kit.....	29
0541-1132-02	Circuit Breaker Mounting Kit.....	29
0541-1133-01	Clutch, 12 V, 70 HP	34
0541-1133-02	Clutch, 24 V, 70 HP	34
0541-1133-03	Clutch, 12 V, 100 HP	34
0541-1133-04	Clutch, 24 V, 100 HP	34
0541-1134	Muffler-Water Lift (4 in OD).....	45
0541-1136	Water-Exhaust Separator (4 in OD)	47
0541-1137	Exhaust Hose (4 in (10.2 cm) ID x 12.5 ft (3.8 m) long).....	52
0541-1139-01	PTO Mount Assembly	34
0541-1139-02	PTO Mount Assembly	34
0541-1140	PTO Sound Shield “C” Front Panel	34

Part number	Description	Page
0541-1152	Siphon Break	36
0541-1155	Manual Voltage Control	32
0541-1158-01	Auxiliary Electric Fuel Pump 12 V	63
0541-1158-02	Auxiliary Electric Fuel Pump 24 V	63
0541-1177-01	Secondary Vibration Isolators (4 cyl. engine)	35
0541-1177-02	Secondary Vibration Isolators (4 cyl. engine with PTO)	35
0541-1177-03	Secondary Vibration Isolators (6 cyl. engine)	35
0541-1177-04	Secondary Vibration Isolators (6 cyl. engine with PTO)	35
0541-1195-01	Interface, Communication Network SAE J1939	8
0541-1195-03	Interface, Communication Network SAE J1939	8
0541-1195-02	Interface, Communication Network, SmartCraft.....	9
0541-1195-04	Interface, Communication Network, SmartCraft.....	9
0541-1206-01	Set-Mounted Gauges 12 V	4
0541-1206-02	Set-Mounted Gauges 24 V	4
0541-1207-01	Remote Gauge Package 12 V	13
0541-1207-02	Remote Gauge Package 24 V	13
0541-1208-01	Gauge Package 12 V.....	14
0541-1208-02	Gauge Package 24 V.....	14
0541-1243-01	Rear (Generator End) Exhaust Outlet Kit	44
0541-1243-02	Front (Engine End) Exhaust Outlet Kit	43
0541-1243-03	Rear (Generator End) Exhaust Outlet Kit	44
0541-1243-04	Front (Engine End) Exhaust Outlet Kit	43
0541-1247	Sound Shield	2
0541-1248	Sound Shield	2
0541-1249-01	Sound Shield	2
0541-1249-02	Sound Shield	2
0541-1250	PTO Sound Shield "C" Front Panel	33
0541-1251-01	Front (Engine End) Fuel System Connection Kit.....	58
0541-1252-01	Front (Engine End) Fuel System Connection Kit.....	58
0541-1252-02	Rear (Engine End) Fuel System Connection Kit	59
0541-1253-01	Front (Engine End) Exhaust Outlet Kit	43
0541-1253-02	Front (Engine End) Exhaust Outlet Kit	43
0541-1254-01	Rear (Generator End) Exhaust Outlet Kit	44
0541-1254-02	Rear (Generator End) Exhaust Outlet Kit	44
0541-1255-01	Front (Engine End) Raw Water Inlet Kit	37
0541-1255-02	Rear (Generator End) Raw Water Inlet Kit	38
0541-1255-03	Rear (Generator End) Raw Water Inlet Kit	38
0541-1270	Muffler—Water Lift (3 in OD)	45
0541-1272-01	Dry Exhaust	54
0541-1272-01	Dry Exhaust	57
0541-1274	Water—Exhaust Separator (3 in OD).....	47
0541-1275-01	PTO Clutch Assembly 12 V	37

Part Number Index

Part number	Description	Page
0541-1275-02	PTO Clutch Assembly 24 V	37
0541-1279	Sound Shield	2
0541-1280-01	Belt Guard	3
0541-1280-02	PTO Belt Guard	37
0541-1281	Rear (Generator End) Exhaust Outlet Kit	44
0541-1282	Front (Engine End) Exhaust Outlet Kit	43
0541-1392-01	Front (Engine End) Raw Water Inlet Kit	37
0541-13592-02	Rear (Generator End) Raw Water Inlet Kit	38
0541-1395	Sound Shield "C" Front Panel	37

Cummins Onan



Performance you rely on.™

Cummins Power Generation
1400 73rd Ave. NE
Minneapolis, MN 55432
USA
Phone 1 763 574 5000
Toll-free 1 800 888 6626
Fax 1 763 574 5298
Email www.cumminsonan.com/contact
www.cumminsonan.com

Cummins®, Onan® the “C” logo, and Performance you rely on™ are trademarks or registered trademarks of Cummins Inc.

©2007 Cummins Power Generation.
All Rights Reserved.